

Corning® CentriStar™ Centrifuge Tubes

Guidelines for Use

CORNING



Product Specifications

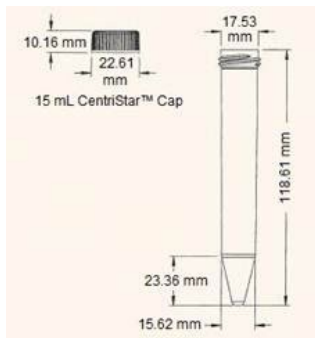
- ▶ Nonpyrogenic
- ▶ RNase-/DNase-free
- ▶ Virgin polypropylene that meets USP Class VI requirements
- ▶ 5-year shelf life
- ▶ Sterile

These tubes are intended for use by persons knowledgeable in safe laboratory practices and are for laboratory use only. The following information is provided to serve as a general guideline for determining suitability of these tubes for your applications. These tubes are intended for single use only; reuse is not recommended as breakage or leakage may occur.

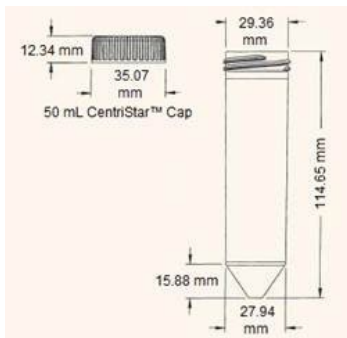
Application Guidelines

1. Corning CentriStar tubes are rated up to a maximum relative centrifugal force (RCF) of 17,000 x g depending on the size and format of the tube (self-standing or not). These ratings have been established at room temperature using tubes filled to the maximum stated volume with water and spun in a fully-supported rotor for 5 minutes.
2. To determine the speed (rpm) at which maximum RCF is achieved for your rotor, please consult your centrifuge manufacturer's specifications.
3. Recommended working temperature range is 0°C to 40°C.
4. Storage temperature range is -80°C to 40°C. When freezing solutions, volume should not exceed 90% of the recommended capacity.
5. Autoclavable for 15 minutes at 121°C/15 psi. Loosen cap before autoclaving.
6. For chemical compatibility, consult the *Chemical Compatibility of Corning® Plasticware Technical Bulletin (CLS-AN-107)*.
7. Always conduct a trial run to determine proper conditions for steps 1 through 6 before any critical use.

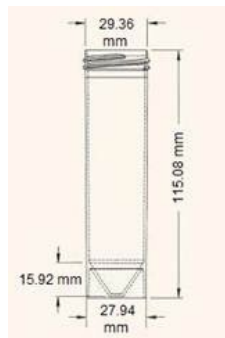
Specific operating conditions, especially temperature, volume, RCF, rotor type, carrier design, and run length can affect tube performance.



15 mL



50 mL



50 mL Self-standing

Ordering Information

Corning® CentriStar™ Conical Centrifuge Tubes

Cat. No.	Size (mL)	Max. RCF	Inner Pack	Qty/Pk	Qty/Cs
430790	15	12,500	Rack	50	500
430791	15	12,500	Bulk	50	500
430828	50	17,000	Rack	25	500
430829	50	17,000	Bulk	25	500
4558	50	17,000	Rack	25	300

Corning CentriStar Self-standing Centrifuge Tubes

Cat. No.	Size (mL)	Max. RCF	Inner Pack	Qty/Pk	Qty/Cs
430921	50	3,000	Bulk	25	500

Scientific Support

For additional product or technical information, visit www.corning.com/lifesciences or call 800.492.1110. Outside the United States, call +1.978.442.2200 or contact your local Corning sales office.

For more specific information on claims, visit the Certificates page at www.corning.com/lifesciences.

Warranty/Disclaimer: Unless otherwise specified, all products are for research use only. Not intended for use in diagnostic or therapeutic procedures. Corning Life Sciences makes no claims regarding the performance of these products for clinical or diagnostic applications.

Corning Incorporated
 Life Sciences
 836 North St.
 Building 300, Suite 3401
 Tewksbury, MA 01876
 t 800.492.1110
 t 978.442.2200
 f 978.442.2476
www.corning.com/lifesciences

CORNING | **FALCON** | **AXYGEN** | **GOSELIN** | **PYREX**

For a listing of trademarks, visit www.corning.com/clstrademarks. All other trademarks are the property of their respective owners.