

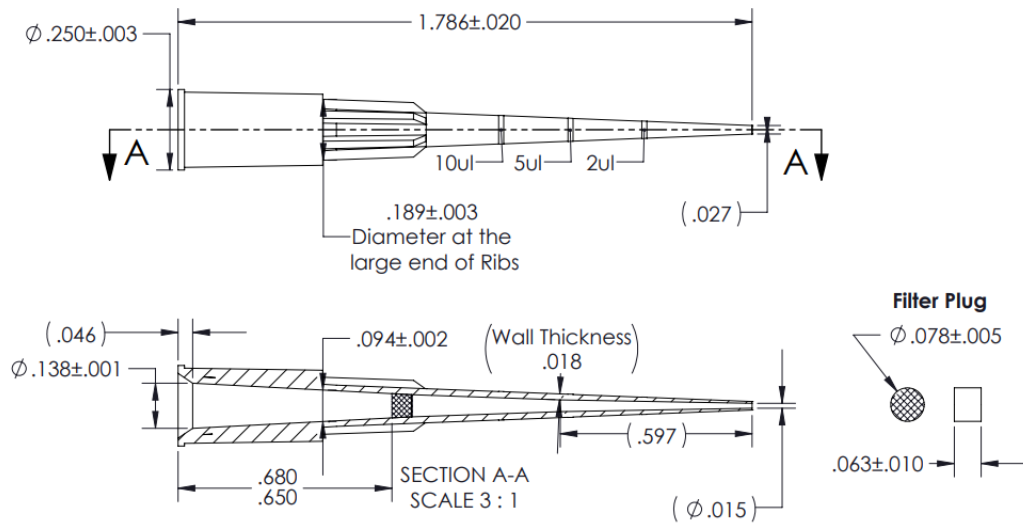


# Product Data Sheet

## SLS5034

### SLS Select Filter Tips

#### 10 µl (0.1 - 10 µl) LongReach Barrier



Catalog #	Description
SLS5034	Natural, Polypropylene, Low Binding, Sterile

Packaging Type	Packaging Details
Racked Tips	Sterile, 96 Tips/Rack, 10 Racks/Pack, 5 Packs/Case, Cell Rack

#### Attributes



**Material:** Polypropylene  
**Volume Range:** 0.1-10 µl  
**Grad Lines:** 2, 5, 10 µl

Certified RNase/DNase Free  
 Certified Human DNA Free  
 Certified PCR Inhibitor Free  
 Certified Pyrogen Free