

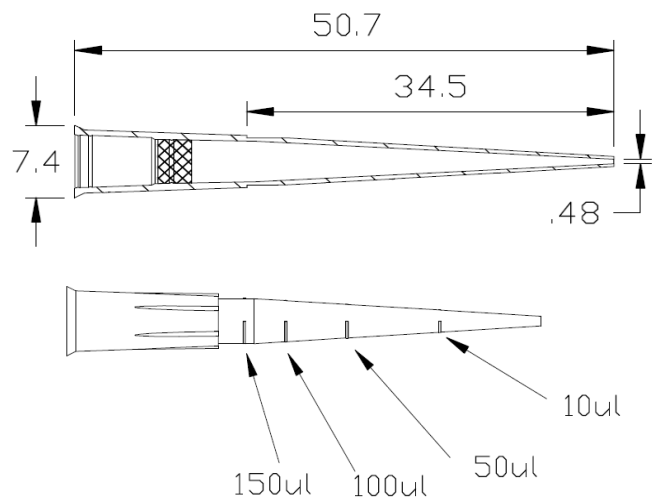


Product Data Sheet

SLS5012

SLS Select Filter Tips

200 µl (1-200 µl) Barrier



Catalog #	Description
SLS5012	Natural, Polypropylene, Sterile, Low Retention

Packaging Type	Packaging Details
Racked Tips	Sterile, LR, 96 Tips/Rack 4800/C 960/P HNG Rack

Attributes



Material: Polypropylene
Volume Range: 1-200 µl
Grad Lines: 150,100,50,10

Certified RNase/DNase Free
 Certified Human DNA Free
 Certified PCR Inhibitor Free
 Certified Pyrogen Free