



DATA SHEET

Product Code SLS1364 – SLS Select 0.36mL, 96 round wells, V bottom

About SLS1364

The SLS1364 round well 'V' bottom plate is a 96 well plate, 14.8mm high, with a two-plate stack height of 27.80mm. The plate has a total volume of 0.36mL with a 'V' shaped well bottom for improved maximum recovery. The plate is used as an alternative on Kingfisher® platforms.

A silicone sealing mat, SLS1288 is available for the plate.

The plate is manufactured in class 8 cleanroom in polypropylene giving it good chemical resistance and usable temperature range of -80°C to +121°C. It has been developed precisely to conform to the footprint dimensions defined by SLAS/ANSI standards. This guarantees its compatibility with both manual and automated sample handling systems, readers, and microplate washers.



United Kingdom:
slsinfo@scientific-labs.com

International:
slsexport@scientific-labs.com

Northern Ireland:
NI.sales@scientific-labs.com

Republic of Ireland:
ROI.sales@scientific-labs.com

 **SCIENTIFIC
LABORATORY
SUPPLIES**



DATA SHEET

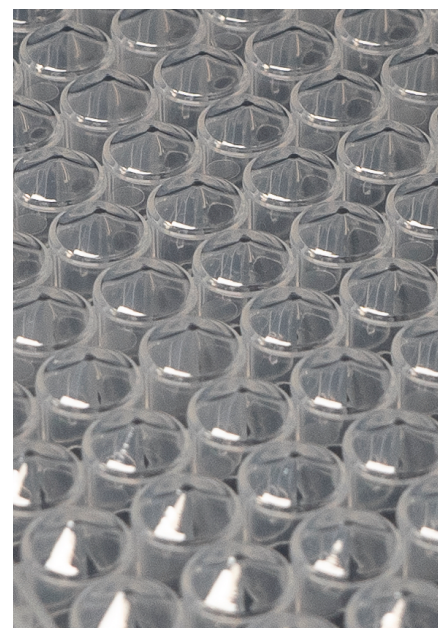
Product Code SLS1364 – SLS Select 0.36mL, 96 round wells, V bottom

KEY FACTS:

- Manufactured in ISO Class 8 Cleanroom
- Alphanumeric well coding
- High temperature and chemical resistance (-80°C to +121°C)
- Autoclavable
- RNase, DNase Free and Non-Pyrogenic
- Stackable for use in plate & automation hotels
- Stack Height for 2 plates 27.80mm
- Flat surface for sealing with adhesive and heat seals

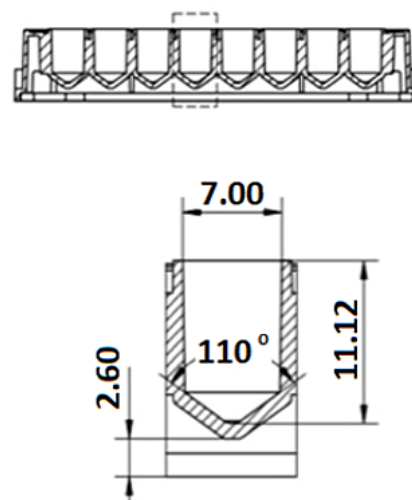
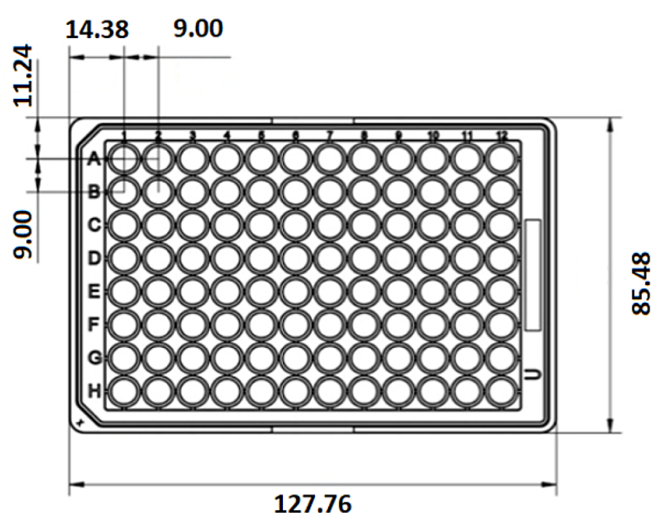
ORDERING INFORMATION:

- Case Dimensions: 50 x 29 x 19.8cm
- Case Weight: 4.5kg
- Case qty: 100 Plates
- Packsize: 10 Bags x 10 Plates
- Standard pallet quantity: 34 cases



SLS code	Qty per pack	Wells	Well bottom	Max volume mL	L	W	H	Well depth	Well diameter	Stack height of 2 plates
SLS1364	100	96	V	0.36	127.75	85.48	14.8	11.12	7	27.8

PRODUCT DRAWING: SLS1364



United Kingdom:
slsinfo@scientific-labs.com

International:
slsexport@scientific-labs.com

Northern Ireland:
NI.sales@scientific-labs.com

Republic of Ireland:
ROI.sales@scientific-labs.com

