



DATA SHEET

Product Code SLS1320 – SLS Select 2.2mL Square well 'V' bottom plate

About SLS1320

The 2.2-mL square well 'V' bottom plate has been developed to enable the base of the well to be in contact with heater-shaker blocks which improves the performance of the process. It has a well depth of 41.3mm and a total volume of 2.4mL.

The plate is manufactured in SLS Select's class 8 cleanrooms using a medical-grade polypropylene. This polypropylene helps achieve very low concentrations of extractable elements and has a temperature capability range of -80°C to +121°C.

This plate has been developed precisely to conform to the footprint dimensions defined by SLAS/ANSI standards. This guarantees its compatibility with both manual and automated sample handling systems, readers, and microplate washers.

SLS Select also offer a version of this plate with notches. Product code SLS1324.



United Kingdom:
slsinfo@scientific-labs.com

International:
slsexport@scientific-labs.com

Northern Ireland:
NI.sales@scientific-labs.com

Republic of Ireland:
ROI.sales@scientific-labs.com

 **SCIENTIFIC
LABORATORY
SUPPLIES**

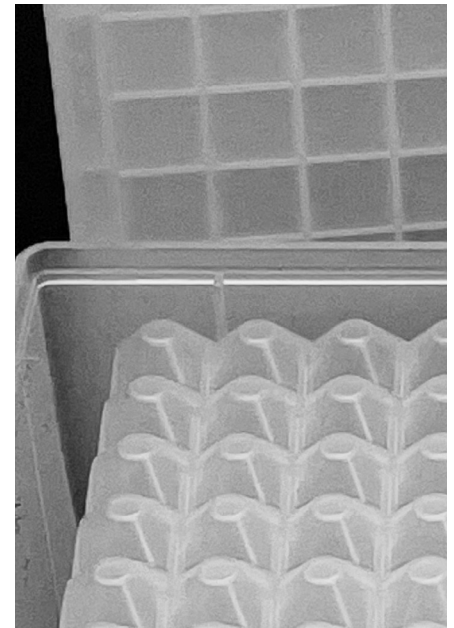


DATA SHEET

Product Code SLS1320 – SLS Select 2.2mL Square well ‘V’ bottom plate

KEY FACTS:

- Manufactured in ISO Class 8 Cleanroom
- Alphanumeric well coding
- High temperature and chemical resistance (-80°C to +121°C)
- Autoclavable
- RNase, DNase Free and Non-Pyrogenic
- Stackable for use in plate & automation hotels
- Stack Height for 2 plates 86.0mm
- Available sterile or non-sterile
- Flat surface for sealing with adhesive and heat seals



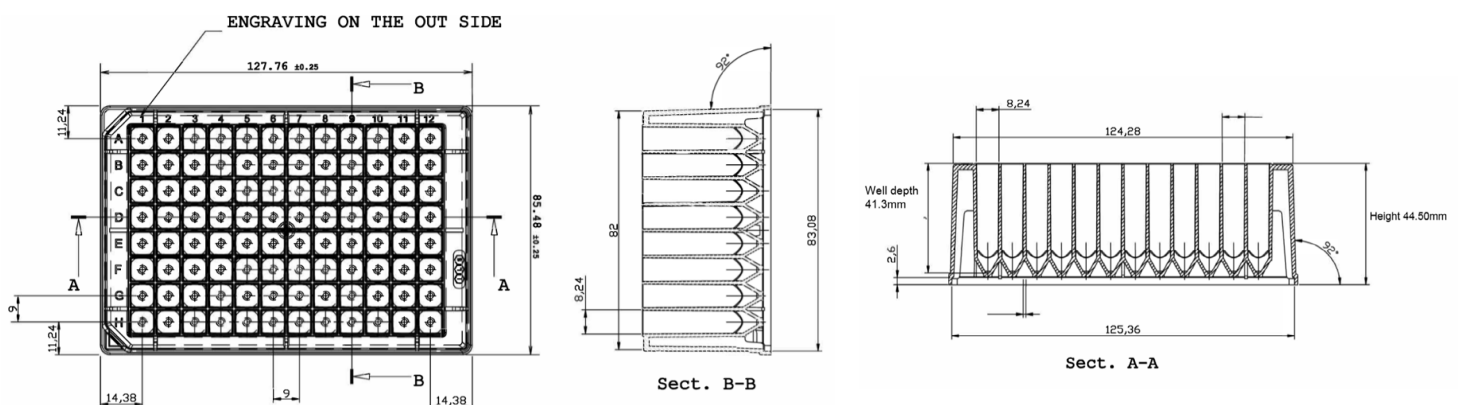
ORDERING INFORMATION:

- Case Dimensions: 47 x 47 x 18cm
- Case Weight: 6kg
- Case qty: 50 Plates
- Packsize: 10 Bags x 5 Plates
- Standard pallet quantity: 34 cases

SLS code	Qty per pack	Wells	Well bottom	Max volume mL	L	W	H	Well depth	Well diameter	Stack height of 2 plates	Silicone cap matt
SLS1320	50	96	V	2.4	127.8	85.48	44.5	41.3	8.24	86	SLS1284, SLS1286, SLS1294

SLS1320 available as a sterile version SLS code: SLS1322

PRODUCT DRAWING: SLS1320



United Kingdom:
slsinfo@scientific-labs.com

International:
slsexport@scientific-labs.com

Northern Ireland:
NI.sales@scientific-labs.com

Republic of Ireland:
ROI.sales@scientific-labs.com

