



DATA SHEET

Product Code SLS1240 – SLS Select 1.2mL round well 'U' bottom plate

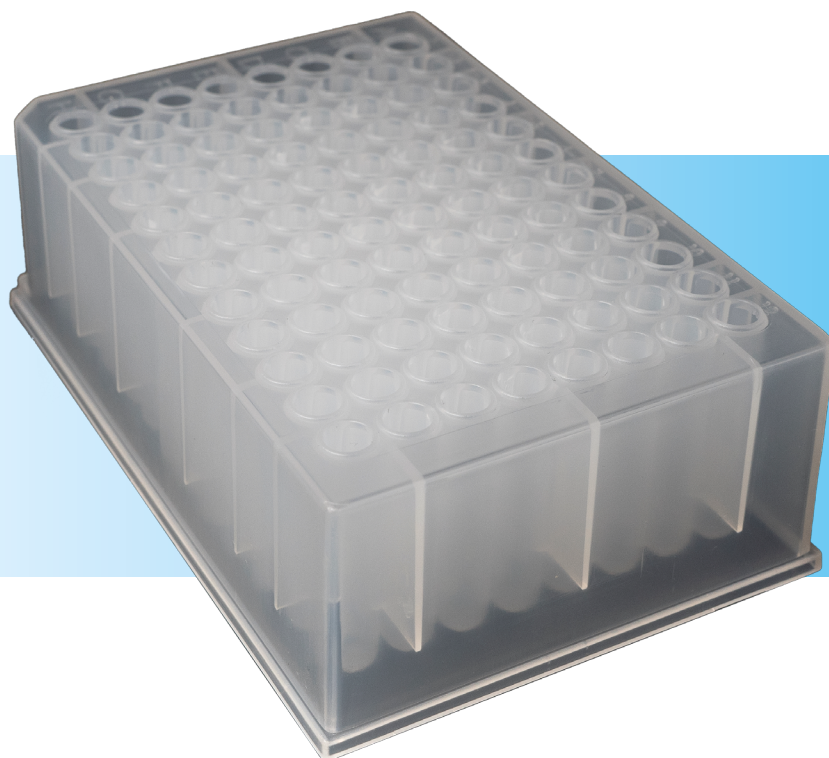
About SLS1240

The 1.2mL round well 'U' bottom plate has a total volume of 1.24mL. The top of the wells have raised rims to provide improved heat and adhesive seal closure for long term storage. SLS Select also provides a compatible, reusable silicone cap mat that can be punctured (SLS1288).

The plate is manufactured in SLS Select's class 8 cleanrooms using a medical-grade polypropylene. This polypropylene helps achieve very low concentrations of extractable elements and has a temperature capability range of -80°C to +121°C.

This plate has been developed precisely to conform to the footprint dimensions defined by SLAS/ ANSI standards. This guarantees its compatibility with both manual and automated sample handling systems, readers, and microplate washers.

SLS Select also offer a version of this plate without rims. Product code SLS1242.



United Kingdom:
slsinfo@scientific-labs.com

International:
slsexport@scientific-labs.com

Northern Ireland:
NI.sales@scientific-labs.com

Republic of Ireland:
ROI.sales@scientific-labs.com

 **SCIENTIFIC
LABORATORY
SUPPLIES**



DATA SHEET

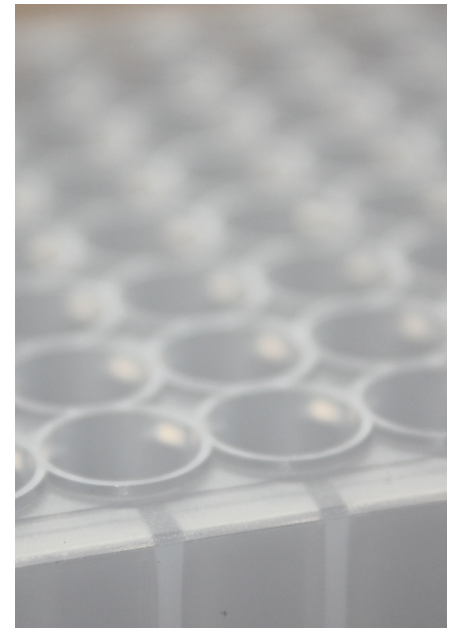
Product Code SLS1240 – SLS Select 1.2mL round well 'U' bottom plate

KEY FACTS:

- Manufactured in ISO Class 8 Cleanroom
- Alphanumeric well coding
- High temperature and chemical resistance (-80°C to +121°C)
- Autoclavable
- RNase, DNase Free and Non-Pyrogenic
- Stackable for use in plate & automation hotels
- Available sterile or non-sterile
- Flat surface for sealing with adhesive and heat seals

ORDERING INFORMATION:

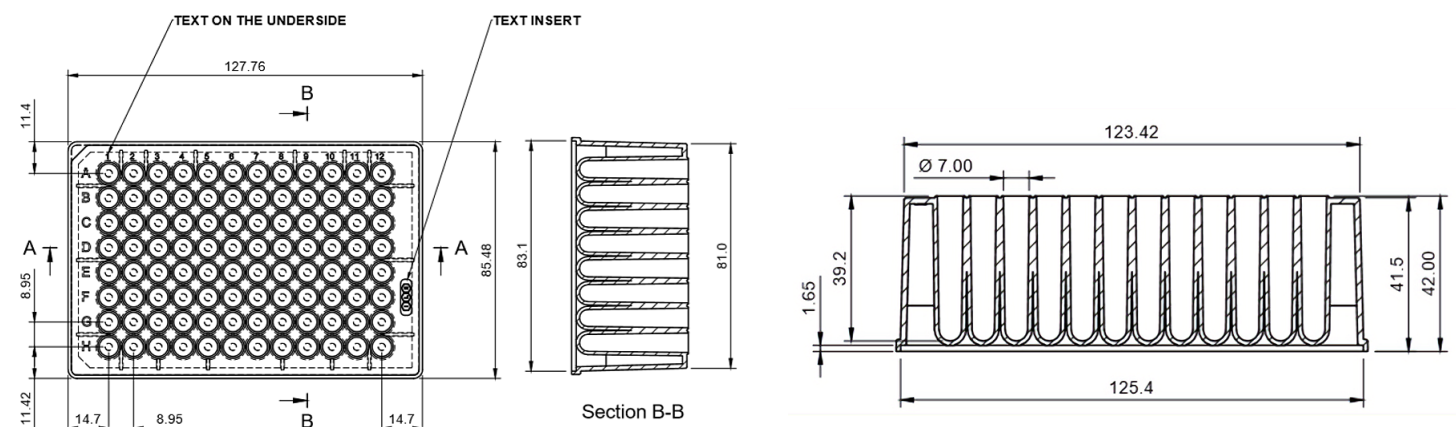
- Case Dimensions: 47 x 47 x 18cm
- Case Weight: 7kg
- Case qty: 50 Plates
- Packsize: 10 Bags x 5 Plates
- Standard pallet quantity: 34 cases



SLS code	Qty per pack	Wells	Well bottom	Max volume mL	L	W	H	Well depth	Well diameter	Stack height of 2 plates	Silicone cap matt
SLS1240	50	96	U	1.24	127.75	85.48	42	39.2	7	81.6	SLS1288

SLS1240 available as a sterile version SLS code: SLS1384

PRODUCT DRAWING: SLS1240



United Kingdom:
slsinfo@scientific-labs.com

International:
slsexport@scientific-labs.com

Northern Ireland:
NI.sales@scientific-labs.com

Republic of Ireland:
ROI.sales@scientific-labs.com

