



High Speed Microplate Shaker



High Speed Shaking for up to 48 Microplates

High Speed Microplate Shaker provides variable high speed shaking from 600 to 2500 rpm for microplates, deep well plates, and small diameter tubes up to 5 in. (12.7 cm) tall.

Unique Features Include:

- Sturdy, adjustable top plate secures up to 48 microplates, 6 deep well plates or small tubes less than 5 in. (12.7 cm) tall up to 7 lb. (3.2 kg).
- For difficult to mix samples or to prevent overheating samples while shaking, the Pulse Feature can be adjusted to Pulse ON and Pulse OFF between 1 and 59 second intervals.
- Independent LEDs and Touchpad Control for Speed and Time allow you to accurately reproduce the exact settings every time.

High Speed Microplate Shaker

Model	SHHSMPDG
Motion	Orbital, 3.6 mm
Speed Range	600 rpm to 2500 rpm
Timer	1 second to 160 hours
Control	Digital
Communication	RS-232 Interface
Capacity	48 microplates
Dimensions (H x L x W)	32.5 x 39.4 x 30.5 cm
Tray Dimensions (L x W)	31.1 x 27.9 cm
Net Weight	21.8 kg
Power	230V, 50/60Hz
Power Consumption	120 W
Working Environment	4 - 40 °C, 20% to 80% RH*, non-condensing

*RH = Relative Humidity

Other Standard Features & Equipment

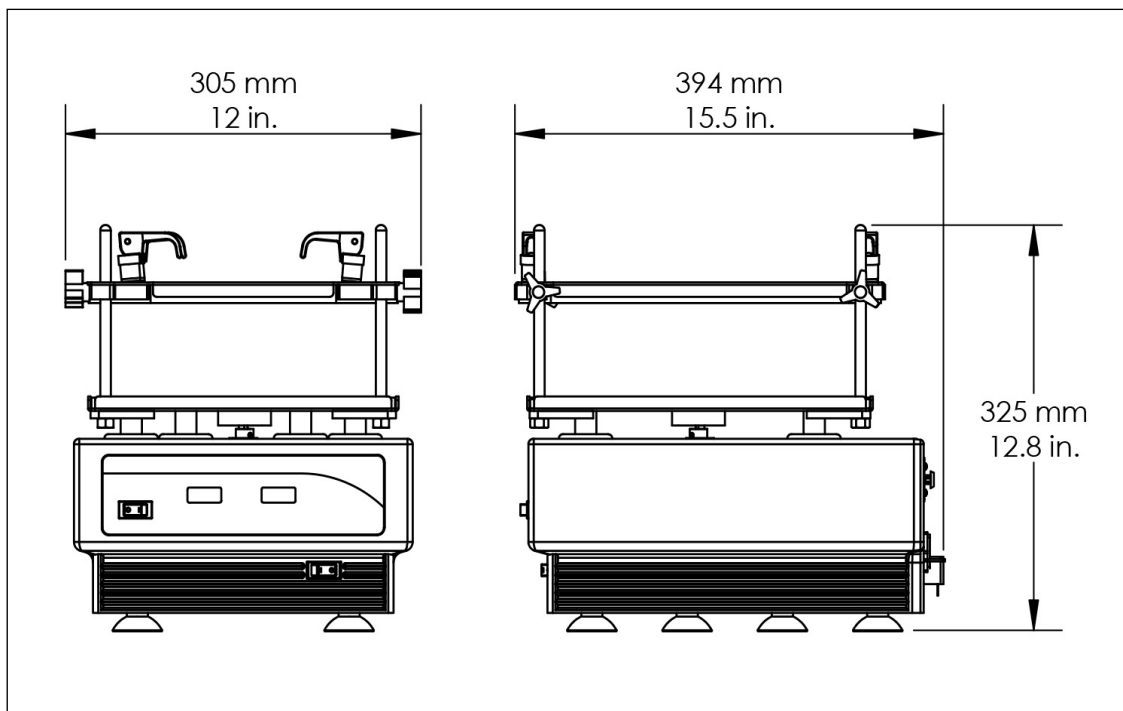
Die Cast Aluminum construction, programmable pulse feature with adjustments for pulse ON & pulse OFF between 1 & 59 seconds. Program timer to count down from set time and turn off when timer reaches zero or run in continuous mode and timer will count accumulated time until user turns it off.

Compliance

- Product Safety: IEC/EN 61010-1; IEC/EN 61010-2-051
- Electromagnetic Compatibility: IEC/EN 61326-1 Class A, Basic Environments
- Compliance Marks: CE; RCM; UKCA; TÜV SÜD; WEEE

Dimensional Drawings

SHHSMPDG



OHAUS Europe GmbH

Heuwinkelstrasse 3,
8606 Nänikon,
Switzerland

e-mail: ssc@ohaus.com

Tel: 0041 22 567 53 19

e-mail: tsc@ohaus.com

Tel: 0041 22 567 53 20

www.ohaus.com

The management system governing the manufacture of this product is ISO 9001:2015 certified.

