



*In the Field of Sustainable Science*



# Arvensis A-Frame<sup>®</sup> PCR Plates and Storage Plates

- Time-tested superior PCR performance from our 2-component A-Frame PCR plates
- Thin-walled reaction tubes made from 100% virgin medical grade polypropylene
- Ultra-rigid polycarbonate frames provide full compatibility with automated systems
- 2-component design helps prevent evaporation due to compromised seal integrity common with 1-component PCR plates
- Manufactured to the highest quality standards for your PCR and qPCR applications

## **A-Frame Plate Design**

Our A-Frame 2-component PCR plate is a proven design that delivers superior performance from your PCR and qPCR applications. The thin-walled reaction wells are made from 100% virgin medical grade polypropylene, which has been recognized to be the best material for PCR. The individual polypropylene wells are set into our rigid polycarbonate frame, which is dimensionally stable and is not affected by the mechanical stresses of thermal cycling. This means the plate seal integrity will not be compromised by plate expansion or warping; you will not experience sample loss that is common with 1-component polypropylene PCR plates. The reduction of sample evaporation improves the consistency of your PCR results. It also provides the opportunity to reduce your overall sample volume. The reagents used in PCR are far more expensive than a PCR plate. Many labs quickly cost-justify high-performance PCR plates with the greater savings from reduced reagent usage and loss. Furthermore, our A-Frame plates remain flat, ensuring compatibility with robotic plate handling, before and after thermal cycling.

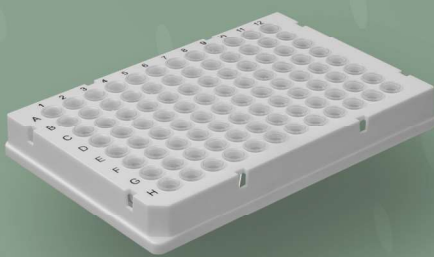
## Our Experience

The Arvensis team has over 30 years' experience designing and manufacturing PCR plates for some of the largest companies in the life sciences marketplace. We understand the demanding requirements of the scientists that need the best possible PCR consumables. In developing our new A-Frame PCR plates, we set out to exceed the quality and performance expectations of our customers.

## Our Quality

We have a rigorous quality program to ensure our plates adhere to all our specifications, and more importantly, meet your expectations. The quality team performs several visual inspections throughout the manufacturing process to ensure there are no defects. We also measure several critical areas for conformance to our dimensional requirements. Every plate undergoes a sensitive electronic well-integrity test to ensure there are no holes in the well. That means every single well of every plate has been checked for leaks before being packaged. We also perform a range of additional tests to check for plate and well integrity, and a PCR evaporation test to ensure our plates do not leak after heat-sealing. Finally, we perform a fluorometric detection assay to ensure there is no DNase or RNase contamination, and a quantitative PCR test to ensure our products are free from detectable human genomic DNA and free from PCR inhibitors.

**All of our PCR plates are certified free from DNase, RNase, nucleases and human gDNA**



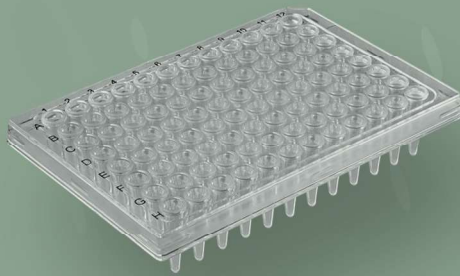
A-Frame 96 Well PCR Plate  
*Fully Skirted, Low Profile*



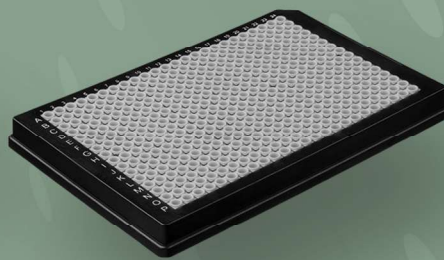
A-Frame 96 Well PCR Plate  
*Semi-Skirted, Low Profile,  
Roche Style*



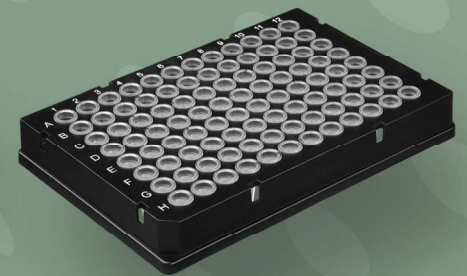
A-Frame 96 Well PCR Plate  
*Semi-Skirted, Standard Profile,  
Universal Style*



A-Frame 96 Well PCR Plate  
*Semi-Skirted, Standard Profile,  
ABI Style*



A-Frame 384 Well PCR Plate



A-Frame 96 Well Storage Plate  
*Fully Skirted, Low Bind,  
High Recovery Well Design*

**[www.arvensis.uk](http://www.arvensis.uk) • [info@arvensis.uk](mailto:info@arvensis.uk)**

LightCycler is a registered trademark of Roche Molecular Systems, Inc. ABI is a registered trademark of ThermoFisher Scientific.  
Arvensis and A-Frame are registered trademarks of Arvensis Limited.

# A-Frame<sup>®</sup> 96 Well PCR Plate Fully Skirted, Low Profile



Superior performance from our 2-component A-Frame<sup>®</sup> PCR plates

- The Ultra Rigid fully skirted frame remains dimensionally stable during thermal cycling, which facilitates reliable robotic handling and ensures that the seal to each well is not compromised during thermal cycling
- Thin-walled tubes made from 100% virgin medical grade polypropylene
- Low profile wells have a maximum capacity of 225µl
- Manufactured to the highest quality standards for your PCR and qPCR applications
- Our fully skirted 2-component plate fits a wide range of instruments and is fully automation compatible

### Quality Standards:

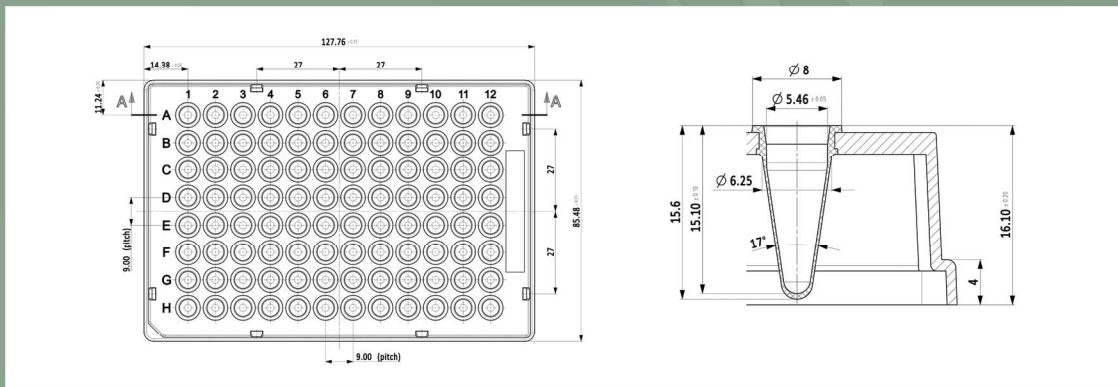
Certified free from DNase, RNase, nucleases and human gDNA.

### Ordering Details:

Part No.	Description
AFK-1001	A-Frame 96 Well PCR Plate, Fully Skirted with H1 cut corner, Low Profile 0.2mL wells, Black Ultra Rigid Frame, Clear PP Tubes
AFK-1002	A-Frame 96 Well PCR Plate, Fully Skirted with H1 cut corner, Low Profile 0.2mL wells, Black Ultra Rigid Frame, White PP Tubes
AFK-1003	A-Frame 96 Well PCR Plate, Fully Skirted with H1 cut corner, Low Profile 0.2mL wells, Black Ultra Rigid Frame, HS White PP Tubes
AFW-1001	A-Frame 96 Well PCR Plate, Fully Skirted with H1 cut corner, Low Profile 0.2mL wells, White Ultra Rigid Frame, Clear PP Tubes
AFW-1002	A-Frame 96 Well PCR Plate, Fully Skirted with H1 cut corner, Low Profile 0.2mL wells, White Ultra Rigid Frame, White PP Tubes
AFW-1003	A-Frame 96 Well PCR Plate, Fully Skirted with H1 cut corner, Low Profile 0.2mL wells, White Ultra Rigid Frame, HS White PP Tubes

All PCR plates are packed 10 plates per sleeve, 50 plates per box. HS White = High Sensitivity White

### Technical Drawing:



[www.arvensis.uk](http://www.arvensis.uk) • [info@arvensis.uk](mailto:info@arvensis.uk)



# A-Frame<sup>®</sup> 96 Well PCR Plate Semi-Skirted, Low Profile, Roche Style

Superior performance from our 2-component A-Frame<sup>®</sup> PCR plates

- The rigid semi-skirted frame remains dimensionally stable during thermal cycling, which facilitates reliable robotic handling and ensures that the seal to each well is not compromised during thermal cycling
- Thin-walled tubes made from 100% virgin medical grade polypropylene
- Low profile wells have a maximum capacity of 225µl
- Manufactured to the highest quality standards for your PCR and qPCR applications
- Our 2-component Roche style design delivers improved performance over the OEM plates for the Lightcycler

### Quality Standards:

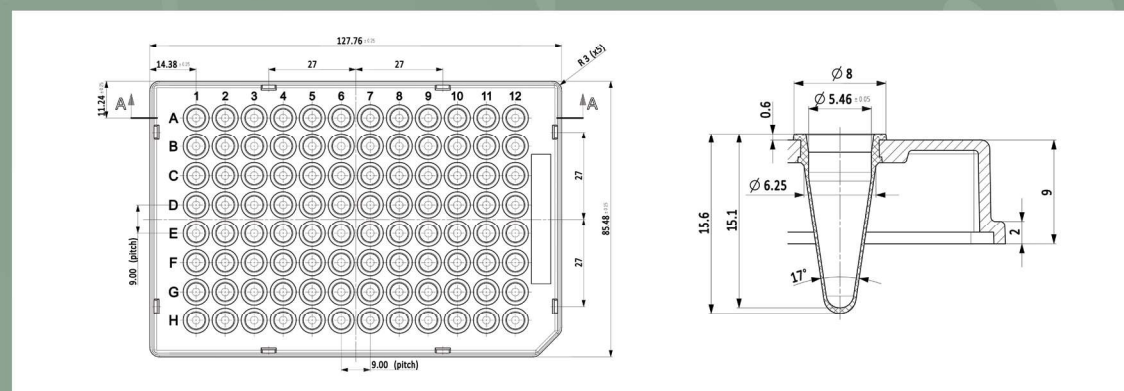
Certified free from DNase, RNase, nucleases and human gDNA.

### Ordering Details:

Part No.	Description
AFC-1021	A-Frame 96 Well PCR Plate, Semi-Skirted, Roche Style with H12 cut corner, Low Profile 0.2mL wells, Clear Rigid Frame, Clear PP Tubes
AFC-1022	A-Frame 96 Well PCR Plate, Semi-Skirted, Roche Style with H12 cut corner, Low Profile 0.2mL wells, Clear Rigid Frame, White PP Tubes
AFW-1022	A-Frame 96 Well PCR Plate, Semi-Skirted, Roche Style with H12 cut corner, Low Profile 0.2mL wells, White Rigid Frame, White PP Tubes
AFW-1023	A-Frame 96 Well PCR Plate, Semi-Skirted, Roche Style with H12 cut corner, Low Profile 0.2mL wells, White Rigid Frame, HS White PP Tubes

All PCR plates are packed 10 plates per sleeve, 50 plates per box. HS White = High Sensitivity White

### Technical Drawing:



[www.arvensis.uk](http://www.arvensis.uk) • [info@arvensis.uk](mailto:info@arvensis.uk)

LightCycler is a registered trademark of Roche Molecular Systems, Inc.

Arvensis and A-Frame are registered trademarks of Arvensis Limited. Copyright © 2021 Arvensis Limited. All rights reserved.



**A-Frame® 96 Well  
PCR Plate  
Semi-Skirted,  
Standard Profile,  
Universal Style**

Superior performance from our  
2-component A-Frame® PCR plates

- The rigid semi-skirted frame remains dimensionally stable during thermal cycling, which facilitates reliable robotic handling and ensures that the seal to each well is not compromised during thermal cycling
- Thin-walled tubes made from 100% virgin medical grade polypropylene
- Standard profile wells have a maximum capacity of 330µl
- Manufactured to the highest quality standards for your PCR and qPCR applications
- Our 2-component Universal style design features a semi-skirt frame and standard height wells for compatibility with a wide range of instruments

**Quality Standards:**

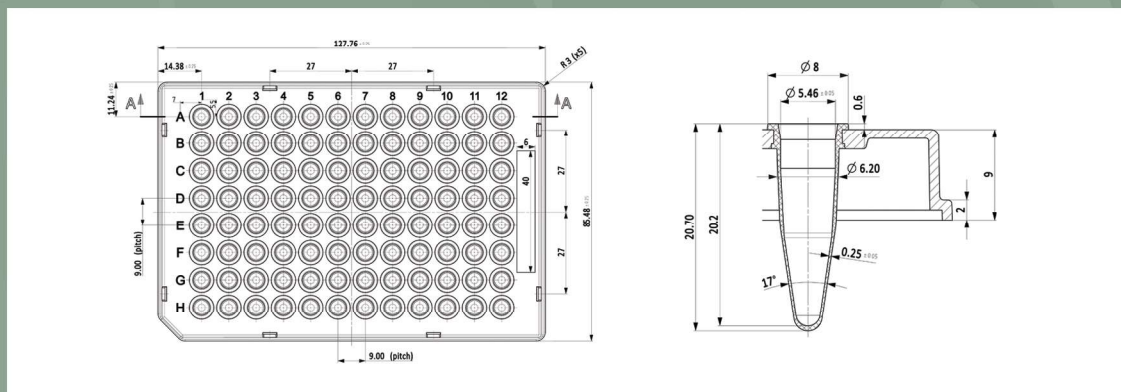
Certified free from DNase, RNase, nucleases and human gDNA.

**Ordering Details:**

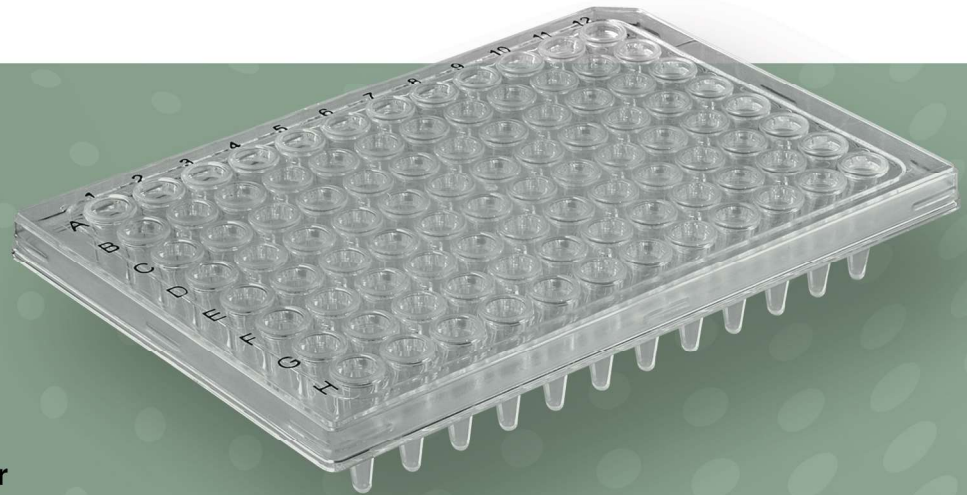
Part No.	Description
AFC-1031	A-Frame 96 Well PCR Plate, Semi-Skirted, Universal style with H1 cut corner, Standard Profile 0.3mL wells, Clear Rigid Frame, Clear PP Tubes
AFC-1032	A-Frame 96 Well PCR Plate, Semi-Skirted, Universal style with H1 cut corner, Standard Profile 0.3mL wells, Clear Rigid Frame, White PP Tubes
AFC-1033	A-Frame 96 Well PCR Plate, Semi-Skirted, Universal style with H1 cut corner, Standard Profile 0.3mL wells, Clear Rigid Frame, HS White PP Tubes

All PCR plates are packed 10 plates per sleeve, 50 plates per box. HS White = High Sensitivity White

**Technical Drawing:**



[www.arvensis.uk](http://www.arvensis.uk) • [info@arvensis.uk](mailto:info@arvensis.uk)



# A-Frame® 96 Well PCR Plate Semi-Skirted, Standard Profile, ABI Style

Superior performance from our 2-component A-Frame® PCR plates

- The rigid semi-skirted frame remains dimensionally stable during thermal cycling, which facilitates reliable robotic handling and ensures that the seal to each well is not compromised during thermal cycling
- Thin-walled tubes made from 100% virgin medical grade polypropylene
- Standard profile wells have a maximum capacity of 330µl
- Manufactured to the highest quality standards for your PCR and qPCR applications
- ABI style 2-component plates are designed for compatibility with most ABI thermal cyclers, from legacy designs to the most recent instruments

### Quality Standards:

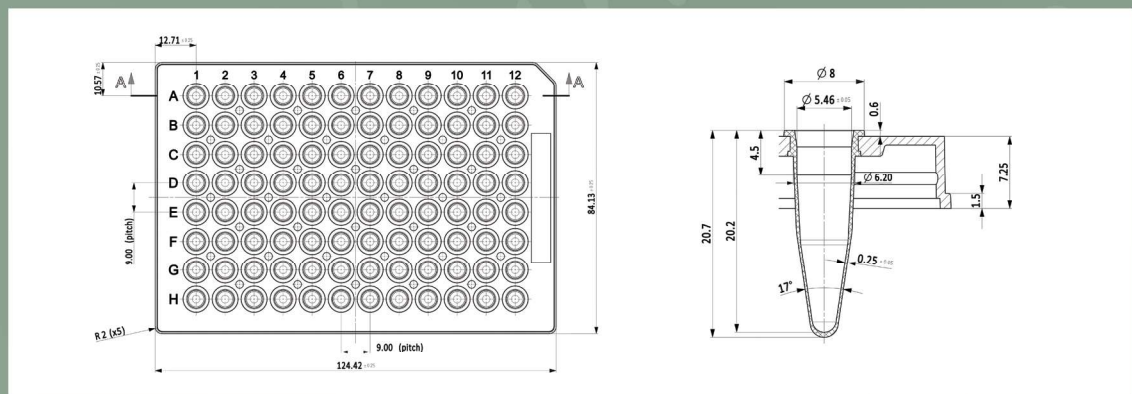
Certified free from DNase, RNase, nucleases and human gDNA.

### Ordering Details:

Part No.	Description
AFC-1041	A-Frame 96 Well PCR Plate, Semi-Skirted, ABI style with A12 cut corner, Standard Profile 0.3mL wells, Clear Rigid Frame, Clear PP Tubes
AFC-1042	A-Frame 96 Well PCR Plate, Semi-Skirted, ABI style with A12 cut corner, Standard Profile 0.3mL wells, Clear Rigid Frame, White PP Tubes

All PCR plates are packed 10 plates per sleeve, 50 plates per box.

### Technical Drawing:

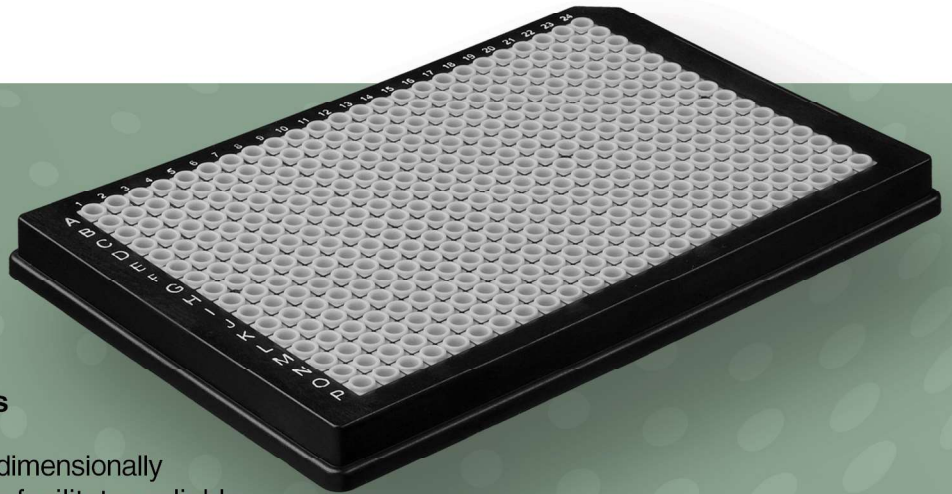


[www.arvensis.uk](http://www.arvensis.uk) • [info@arvensis.uk](mailto:info@arvensis.uk)

ABI is a registered trademark of ThermoFisher Scientific.

Arvensis and A-Frame are registered trademarks of Arvensis Limited. Copyright © 2021 Arvensis Limited. All rights reserved.

# A-Frame<sup>®</sup> 384 Well PCR Plate



## Superior performance from our 2-component A-Frame<sup>®</sup> PCR plates

- The rigid semi-skirted frame remains dimensionally stable during thermal cycling, which facilitates reliable robotic handling and ensures that the seal to each well is not compromised during thermal cycling
- Thin-walled tubes made from 100% virgin medical grade polypropylene
- Maximum well capacity is 45µl
- Manufactured to the highest quality standards for your PCR and qPCR applications
- Our fully skirted 2-component PCR plate fits a wide range of instruments and is fully automation compatible

### Quality Standards:

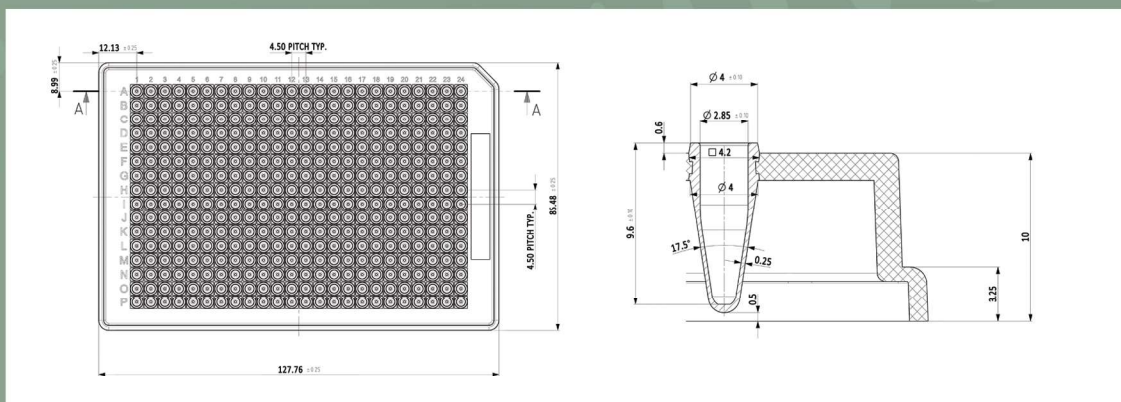
Certified free from DNase, RNase, nucleases and human gDNA.

### Ordering Details:

Part No.	Description
AFK-2001	A-Frame 384 Well PCR Plate, Fully Skirted, 45µl wells, A24 cut corner, Black Ultra Rigid Frame, Clear PP Tubes
AFK-2002	A-Frame 384 Well PCR Plate, Fully Skirted, 45µl wells, A24 cut corner, Black Ultra Rigid Frame, White PP Tubes
AFW-2022	A-Frame 384 Well PCR Plate, Fully Skirted, 45µl wells, Roche Style with A24 and P24 cut corners, White Ultra Rigid Frame, White PP Tubes

All PCR plates are packed 10 plates per sleeve, 50 plates per box.

### Technical Drawing:



[www.arvensis.uk](http://www.arvensis.uk) • [info@arvensis.uk](mailto:info@arvensis.uk)

LightCycler is a registered trademark of Roche Molecular Systems, Inc.  
 Arvensis and A-Frame are registered trademarks of Arvensis Limited. Copyright © 2021 Arvensis Limited. All rights reserved.

# A-Frame® 96 Well Storage Plate

## Fully Skirted, Low Bind, High Recovery Well Design



Extreme close up (with the plate flipped) to show the bottom tips of the wells

- Our unique storage plate design is ideal for low volume sample applications
- Ultra-Rigid frame design withstands low temperatures and facilitates reliable robotic handling
- Sealed plates are fully stackable, ensuring compatibility with automated plate handling systems and stacked storage options
- 100% virgin medical-grade polypropylene well is designed for low temperature storage
- Maximum well capacity is 170µl
- The variable concentric well shape facilitates high recovery of your sample

### Quality Standards:

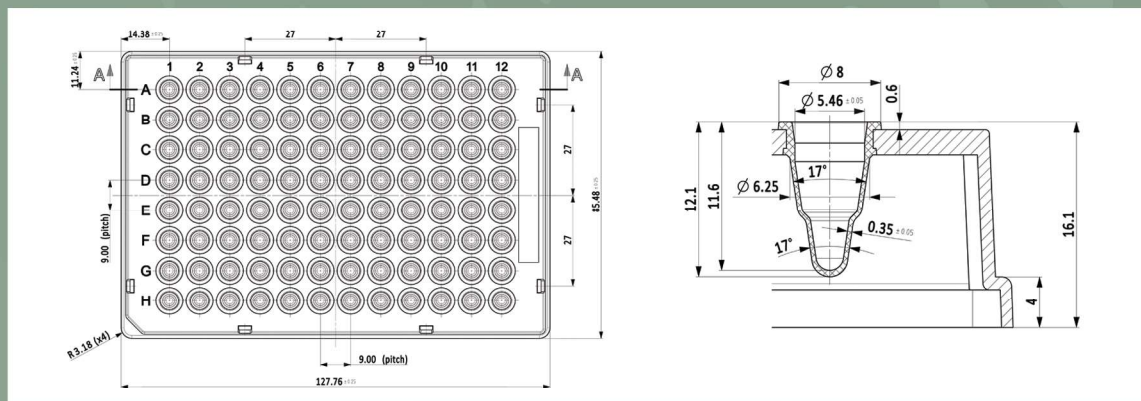
Certified free from DNase, RNase, nucleases and human gDNA.

### Ordering Details:

Part No.	Description
AFK-5001	A-Frame 96 Well Storage Plate, Fully Skirted with H1 cut corner, 0.15mL wells, Low Bind, High Recovery, Black Ultra Rigid Frame, Clear PP Tubes

A-Frame storage plates are packed 10 plates per sleeve, 50 plates per box.

### Technical Drawing:



[www.arvensis.uk](http://www.arvensis.uk) • [info@arvensis.uk](mailto:info@arvensis.uk)