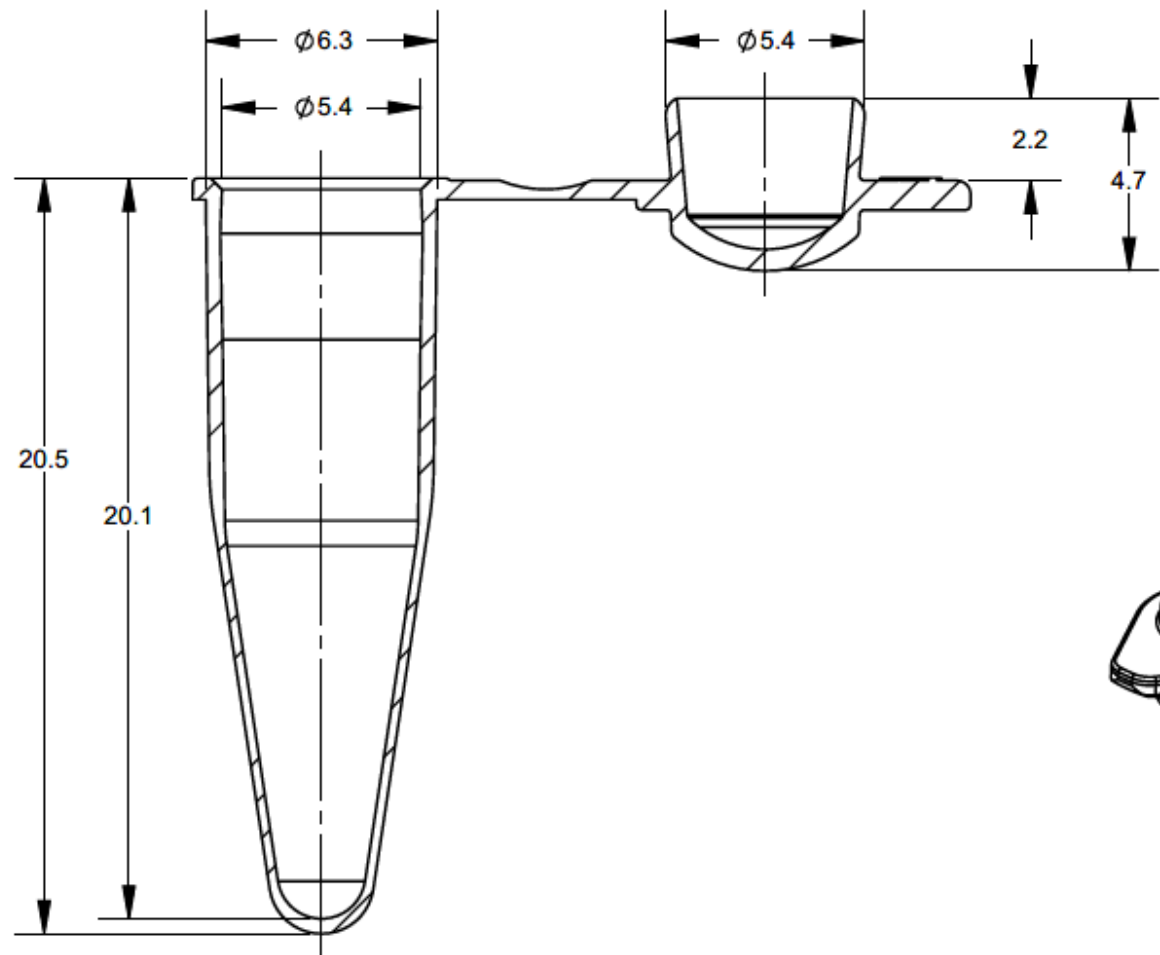
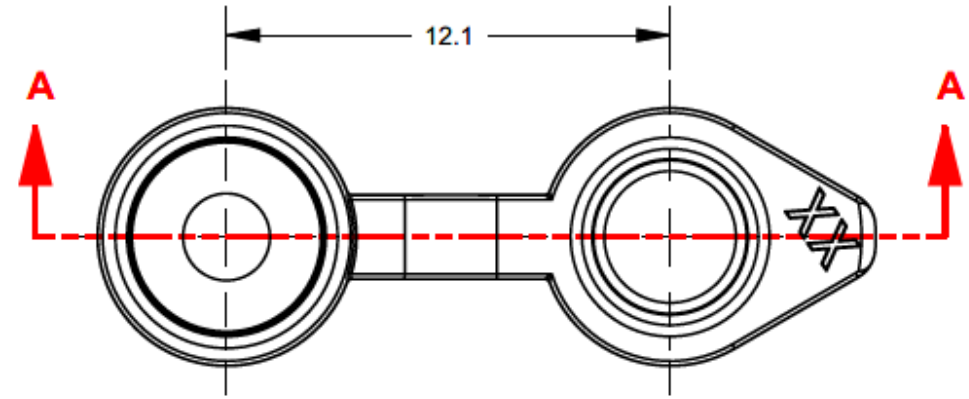
	Inspection Report number		
	Title		Marketing Drawing 4ti-0795
	Revision	001	Effective date
	Document owned by	QC	Page



SECTION A-A  
SCALE 4 : 1

