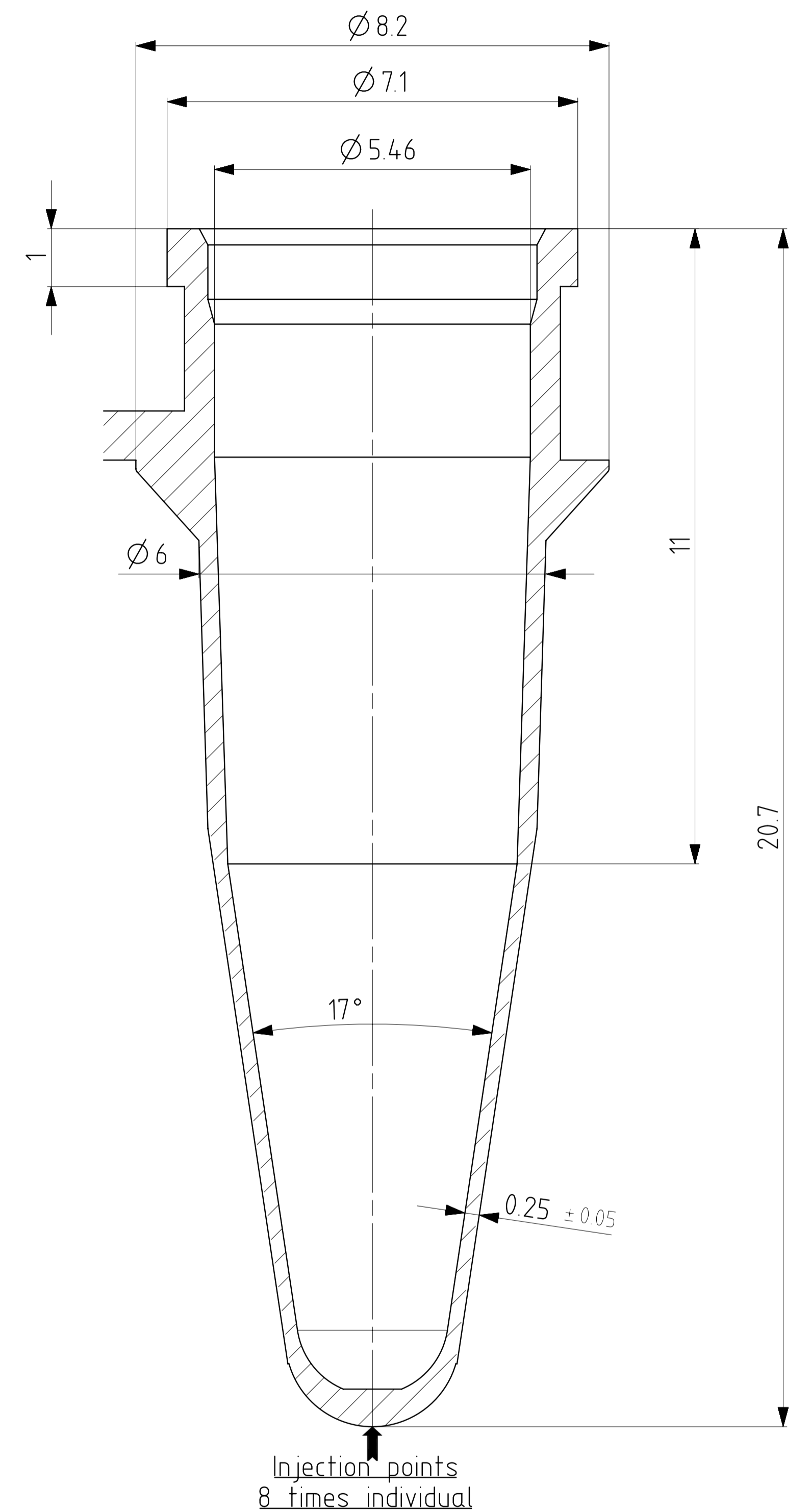
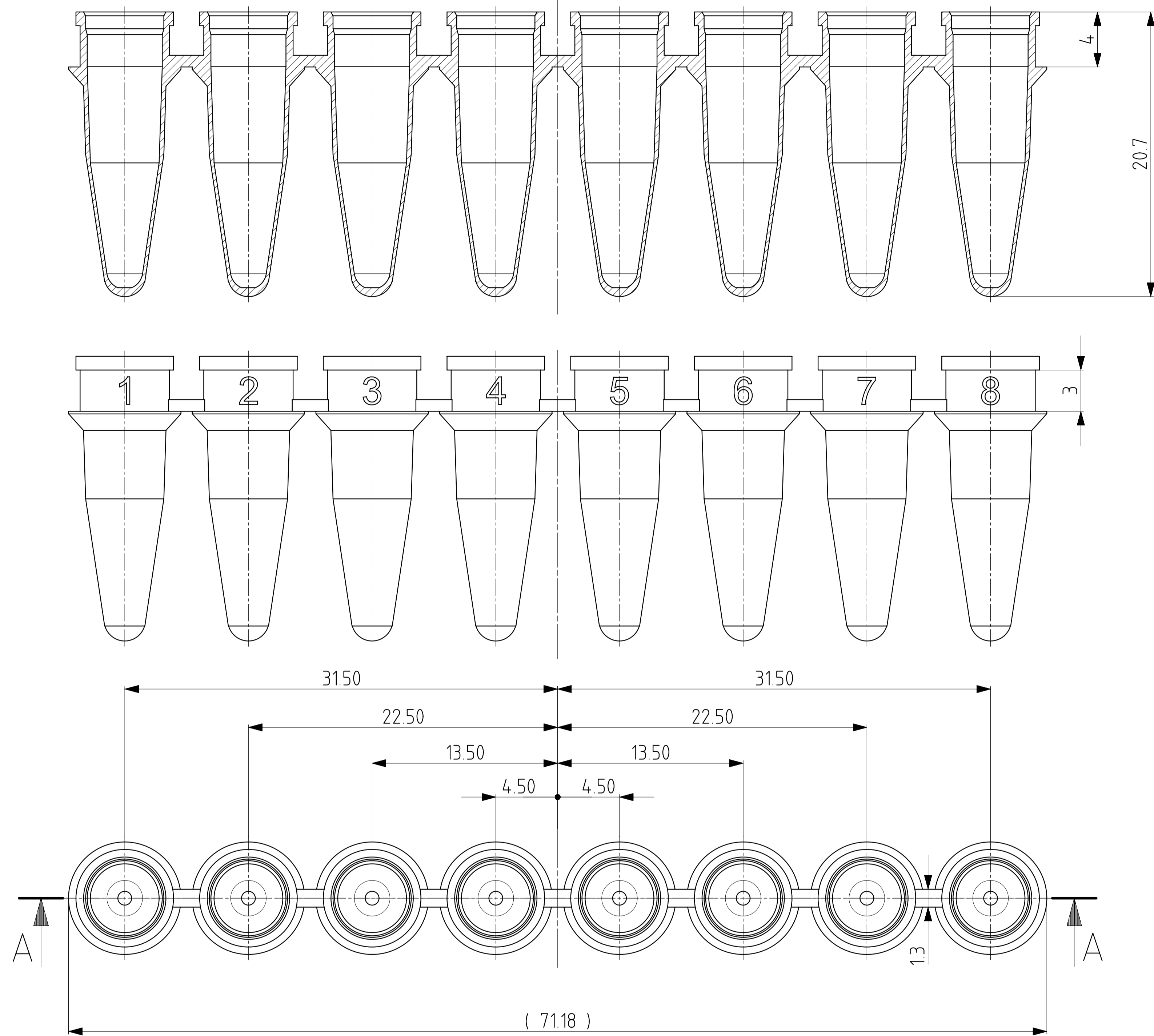


SECTION A-A

This drawing and/or any technical information relating to it issued in strict confidence and may not be reproduced or used for manufacture without written permission. Upon receipt of which it is the user's responsibility to seek confirmation of any dimensions and production tolerances.



VIAL FORM 8 pos.  
SCALE 15:1  
MAXIMUM VIAL CAPACITY = 330 MICROLITRES

ISSUE	DATE	AMENDMENT



DO NOT SCALE  
IF IN DOUBT ASK

CUSTOMER	CUSTOMER DRG. No.	ISSUE
MATERIAL	POLYPROPYLENE	
TOLERANCES	0 ±0.20 0.0 ±0.10 0.00 ±0.05 ANGULAR ±0°30' (ALL DIMENSIONS IN MILLIMETRES)	

DRAWN	ZE
DATE	01.07.2015
CHECKED	PD
DATE	
SCALE	

TITLE	Strips of 8 PCR tubes MARKETING DRAWING	
DRAWING No.	4ti-0781	
SHEET No.	1 OF 1	ISSUE D