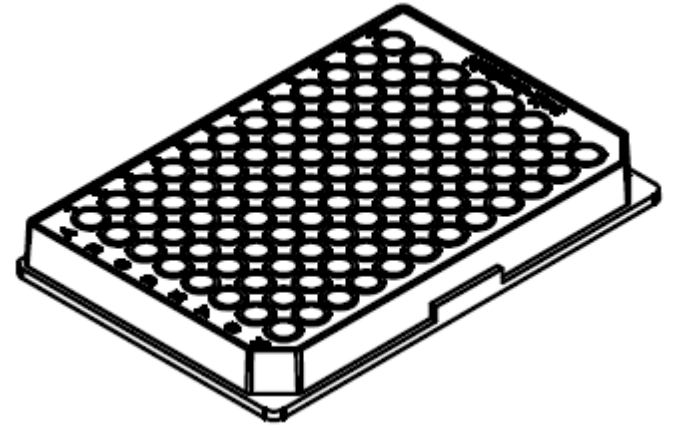
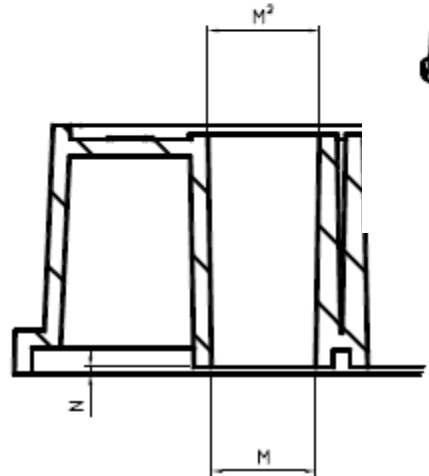
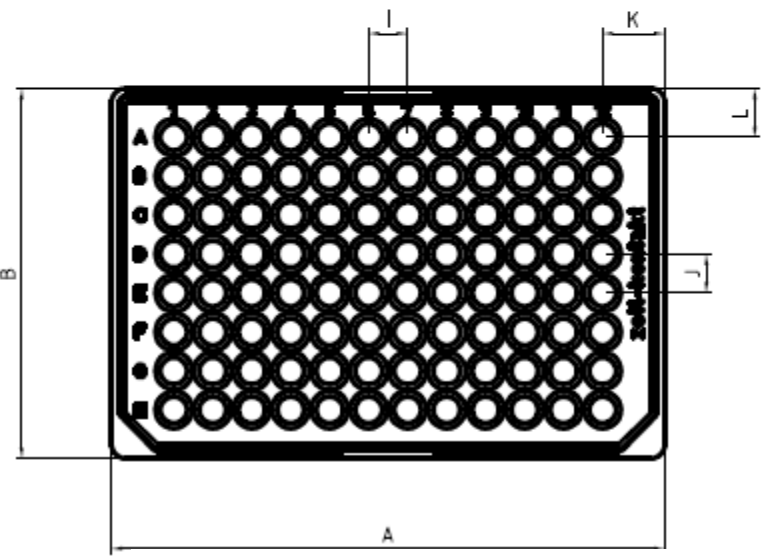
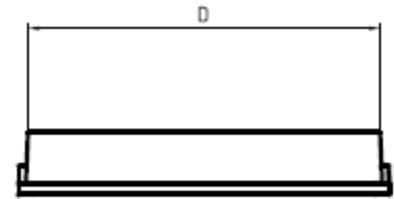
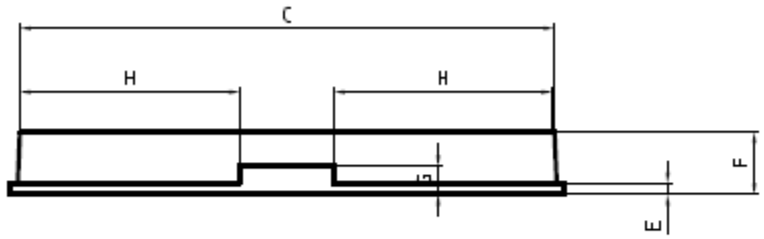
	Identification Number QC – 0216	
	Title Technical Drawing 4ti-0273	
	Revision 002	Effective Date 07/02/2014
	Document Owner QC	Page 1



	A	B	C	D	E	F	G	H	I	J	K	L	M	M ²	N
MM	127.76	85.48	123.3	81.2	2.5	14.35	6.5	50.3	9.0	9.0	14.38	11.24	∅6.0	∅6.5	0.4
INCH	5.030	3.365	4.854	3.197	0.098	0.565	0.256	1.98	0.354	0.354	0.566	0.443	∅0.236	∅0.256	0.016