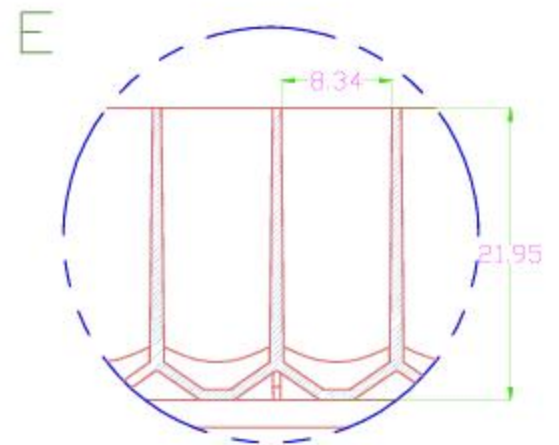


SECTION E-E



DETAIL F
SCALE $\frac{2}{1}$