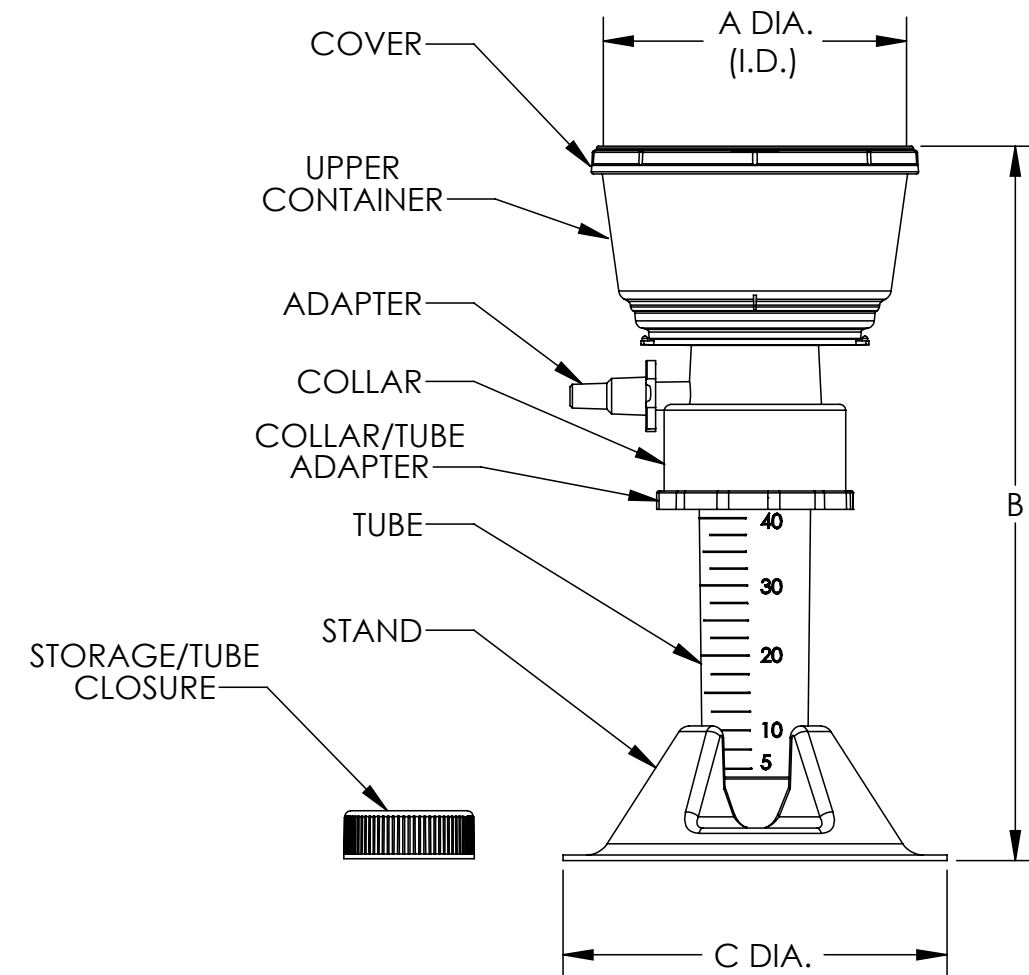


CAT. NO.....:	564-0020	
UPPER CAP (mL).....:	150	
TUBE CAP (mL).....:	50	
PORE SIZE (µm).....:	0.2	
MEMBRANE COLOR.....:	WHITE	
MEMBRANE DIA (mm):	50	
CLOSURE SIZE (mm)....:	33	
	INCH	MM
A (UPPER I.D.).....:	3.16	80.3
B HEIGHT.....:	7.40	188.0
C DIA.....:	4.00	101.6
NOM. WT. (gms).....:	75	

MATERIALS	
COVER	PS
UPPER CONTAINER	PS
ADAPTOR (FILTER)	WHITE LDPE
COLLAR	BLUE HIPS
ADAPTOR TUBE/COLLAR	BLUE HIPS
TUBE	PP
STAND	WHITE HIPS
CLOSURE	HDPE



SPECS ON BACK

NOT TO SCALE

1. ALL DIMENSIONS ARE NOMINAL AND IN INCHES AND MILLIMETERS UNLESS OTHERWISE NOTED.
2. THIS IS NOT A PRODUCTION DRAWING, BUT IS FOR INFORMATIONAL PURPOSES ONLY, AND IS SUBJECT TO CHANGE WITHOUT NOTICE.

CONFIDENTIAL

THIS PRODUCT SPECIFICATION SHEET CONTAINS CONFIDENTIAL AND/OR PROPRIETARY INFORMATION AND IS TO BE USED ONLY FOR THE EXPRESSED PURPOSES AGREED UPON BY AN AUTHORIZED OFFICER OF THERMO FISHER SCIENTIFIC.

**ThermoFisher
SCIENTIFIC**

Thermo Fisher Scientific
75 Panorama Creek Drive
Rochester, NY 14625-2385, USA

MADE	PB	APP'D	JMC	PSS-00-0564-0020	REV. 1107
CK'D	JMC	11/29/07			
DESCRIPTION: FILTER UNIT - 50mL CAPACITY					