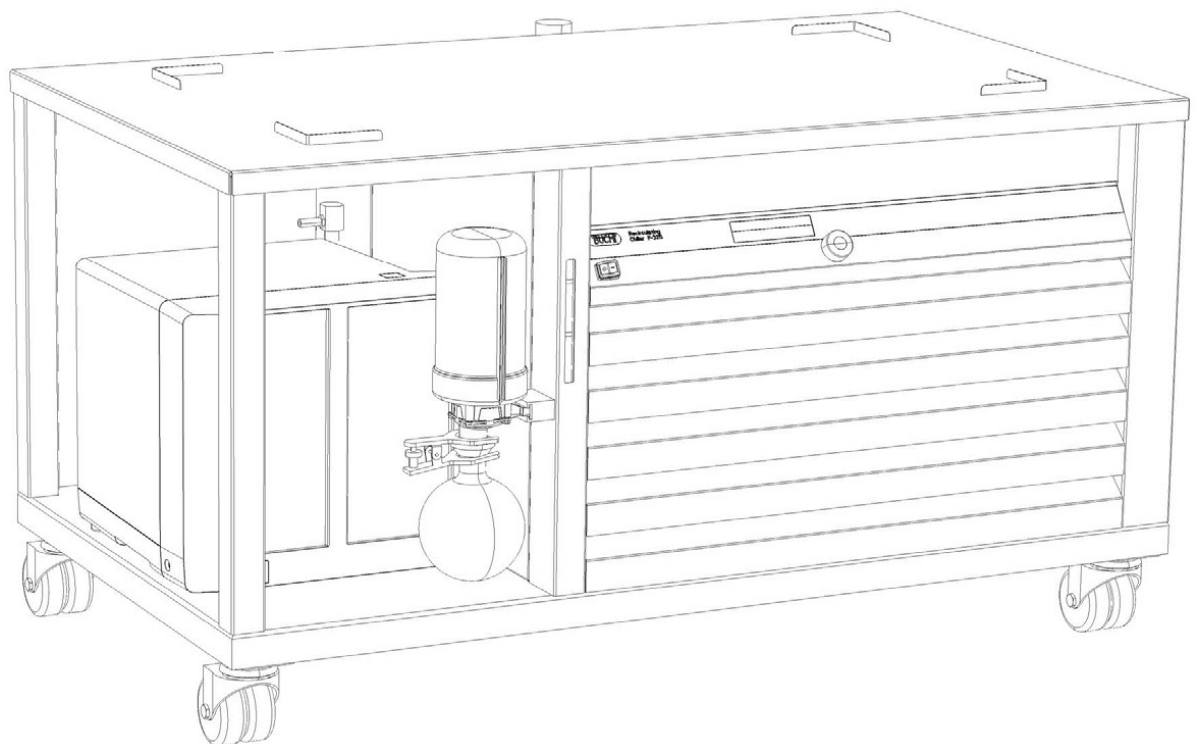




## Recirculating Chiller F-325

### Technical data sheet

The Recirculating Chiller F-325 is designed to be a powerful chiller for the Rotavapor® R-220 Pro as well as a trolley and a host for the Vacuum Pump V-600. In combination with the Rotavapor® R-220 Pro it will be controlled on the Rotavapor.



## Scope of delivery

All configurations are supplied ready to use.

Components	F-325
Control cable 2 m	1
FEP hose for the optional Vacuum Pump V-600	1
Hose barb, ø 13.5 mm	2
Tubing, PVC, ø 10/15 mm , transparent	2 × 2 m
Hose clamp	4
Instruction manual on CD	1

## Order code

**1 1 F 3 2 5 0 1**

Recirculating Chiller F-325 for 230V

## Technical data

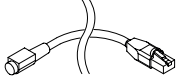
### Recirculating Chiller

	F-325
Dimensions (W × D × H)	1070 x 650 x 580 mm
Weight	101 kg
Temperature range	-10 °C to +25 °C
Cooling capacity at 15 °C*	2500 W
Cooling capacity at 10 °C*	2200 W
Cooling capacity at 0 °C*	1400 W
Cooling capacity at -10 °C*	800 W
Power consumption (max.)	2850 W
Heating emission (max.)	3800 W
Supply voltage	230 VAC ± 10 %
Frequency	50/60 Hz
Display	digital, resolution 0.1 °C
Ambient temperature	5 - 35 °C
Refrigerant	R 134a (1100 g)
Temperature regulation accuracy	± 1 °C
Tank volume	9 L
Hose connection	13.5 mm
Pump pressure	2.5 bar
Flow rate	14 L/min
Approval	CE/CSA

\* Measured at 20°C ambient temperature.

## Accessories

### Communication cables

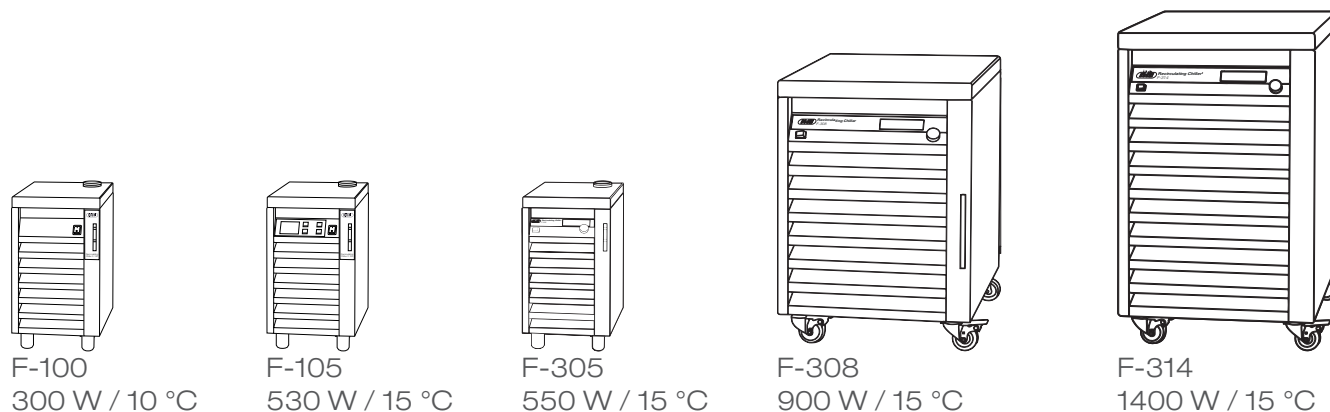
	Order no.	Image
Communication cable. Mini-DIN 6p to RJ45, 1.5 m Connection between Vacuum Controller V-850 / V-855 and Vacuum Pump V-300 / V-600 or between Vacuum Controller V-850 / V-855, Interface I-100 and Recirculating Chiller F-305 / F-308 / F-314.	11060649	

### Tubing

	Order no.
Tubing. Synthetic rubber, Ø15/27 mm, black, per m Use: insulation of cooling tubing (004134) for Industrial Rotavapor.	11056888
Tubing, PVC, 10/15 mm, transparent, per m Use: cooling tube to Rotavapor ® R-220 Pro	027146

## All Recirculating Chillers at a glance

The BUCHI recirculating chiller portfolio is completed with the F-100 line. The following table provides an overview of the different features.



	F-100	F-105	F-305	F-308	F-314
Cooling capacity at 15 °C	400 W	530 W	550 W	900 W	1400 W
Temperature range	Fix at 10 °C	-10 °C to +25 °C	-10 °C to +25 °C	-10 °C to +25 °C	-10 °C to +25 °C
Eco mode to save energy	-	-	•	•	•
Temperature lock	-	-	•	•	•
Recommended BUCHI Rotavapor® line	Rotavapor® R-100	Rotavapor® R-100	Rotavapor® R-300	Two Rotavapor® R-300	Two Rotavapor® R-300
ON/OFF control via interface on recom. Rotavapor®	-	•	•	•	•
Temperature setting via interface on recom. Rotavapor®	-	-	•	•	•
Other applications	Small distillation apparatus	Small distillation apparatus	Small distillation apparatus	Kjeldahl Extraction Parallel evaporator	Parallel evaporator at low temperature Kjeldahl systems