

ID-Nr. 30657-005
Model G90.205.120



Gas cylinder cabinet G-ULTIMATE-90
Model G90.205.120, laboratory white (sim. RAL 9016)

Safe and approved storage of flammable or toxic gases in working areas – for up to 4 x 50-litre gas cylinders

Function / construction:

- **No unauthorised use:** doors lockable with profile cylinder (integration in an existing locking system possible)
- **Easy alignment:** adjusting aids to compensate for uneven floor
- **Easy mounting of connecting pipes and gas fittings:** large interior height (1890 mm), many lead-through possibilities on the top of the cabinet
- **Ventilation:** integrated air ducts ready for connection (DN 75) to a technical exhaust, even ventilation inside the cabinet
- **Tested and certified:** according to the stricter GS principles

Available equipment:

- Cylinder retainer – variable installation in the cabinet, flexibly adjustable in depth, across the entire width of the cabinet
- Comfort interior equipment – complete with mounting rails, rolling ramp (L = 350 mm) with pneumatic damper, cylinder retainer and matching tension belts
- Standard interior equipment – complete with mounting rails, rolling ramp and cylinder retainer
- Lateral cylinder retainer – for two 10-litre cylinders, alternatively in height adjustable version (no tools required)

| Dimensions | |
|-------------------|------------|
| Width (external) | 1198.00 mm |
| Depth (external) | 615.00 mm |
| Height (external) | 2050.00 mm |
| Width (internal) | 1045.00 mm |
| Depth (internal) | 400.00 mm |
| Height (internal) | 1858.00 mm |

The available internal dimensions can vary depending on the interior equipment package.

| Weight / Load | |
|-----------------------------------|--------------------------|
| Weight without interior equipment | 610 kg |
| Distributed load | 625.00 kg/m ² |
| Maximum load | 600 kg |

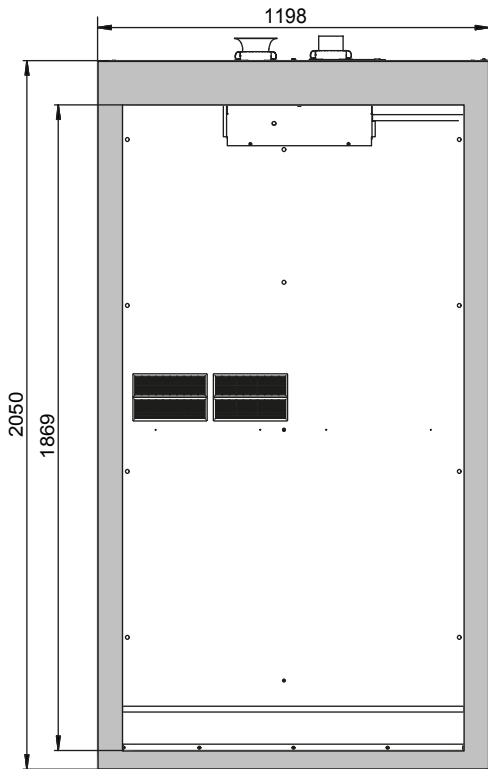
| Ventilation | |
|--|----------------------|
| Extraction air | 75 DN |
| Minimum exhaust air quantity 10 times | 8 m ³ /h |
| Minimum exhaust air quantity 120 times | 93 m ³ /h |

For further details of the lead-through possibilities and exhaust air please have a closer look to EN 14470-2.

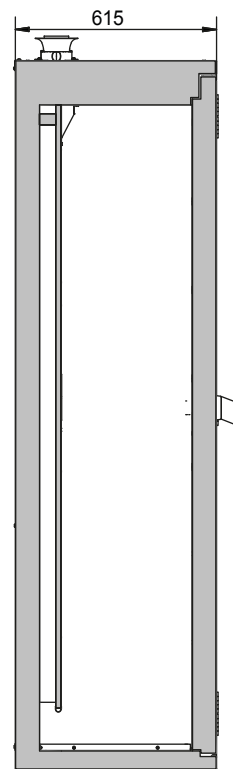
| Colouring / Surface finish | |
|------------------------------|----------------------------------|
| Body colour code | |
| Body colour | laboratory white (sim. RAL 9016) |
| Body surface finish | plain |
| Door / Drawer colour code | |
| Door / Drawer colour | laboratory white (sim. RAL 9016) |
| Door / Drawer surface finish | plain |

| General Information | |
|--------------------------|----------|
| Number of doors | 2 |
| Door opening angle | 180.00° |
| Depth with open doors | 1238 mm |
| x 50-litre gas cylinders | 4 piece |
| Customs tariff number | 94032080 |

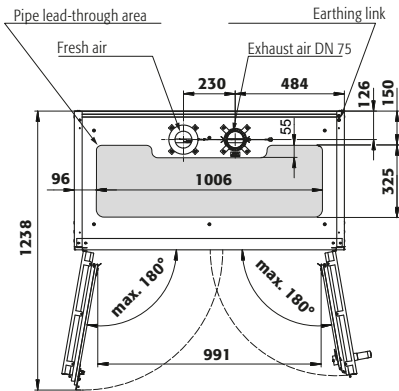
Front view



Side view



Top view



For further information please visit www.asecos.com