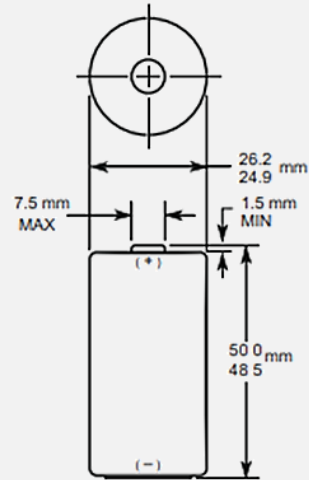


## ALKALINE-MANGANESE DIOXIDE BATTERY



Size: C (LR14) PC1400



Dimensions shown are IEC standards

### KEY FEATURES

- Reliable Performance
- Excellent resistance to corrosion
- Designed to meet all major quality, safety and environmental standards:
  - Safety: IEC 60086-5
  - ANSI C 18.1M, Part-2
  - EU Battery Directive
  - Quality: ISO 14001 and 9001, Duracell World Class Continuous Improvement Program

### TYPICAL APPLICATIONS

- Security Keypads
- Sensors
- Flushometers

### ELECTRICAL CHARACTERISTICS

- |  |           |
|--|-----------|
| ▪ Nominal capacity (25 Ω Cont., .8V cut-off) | 8,100 mAh |
| ▪ Typical Voltage (at + 20 °C)               | 1.5 V     |
| ▪ AC Impedance @ 1kHz                        | 150 mΩ    |

### PHYSICAL CHARACTERISTICS

- |                  |   |
|------------------|---|
| ▪ Typical weight | 69.0 g (2.4 oz)                             |
| ▪ Typical volume | 26.9 cm <sup>3</sup> (1.6 in <sup>3</sup> ) |
| ▪ Terminals      | Flat  |

### OPERATING & STORAGE CONDITIONS

- |  |                                  |
|--|----------------------------------|
| ▪ Operating temperature range  | -20°C to 54°C<br>(-4°F to 130°F) |
| ▪ Recommended Storage (storage area should be clean, cool, dry and ventilated) | 5°C to 30°C<br>(41°F to 86°F)    |

TYPICAL PERFORMANCE

