

# LMS Series 3 Cooled Incubators

Energy Efficient  
& ECO Friendly

The LMS Series 3 Cooled Incubator is a reliable and accurate Temperature controlled cabinet (-10°C to +50°C) designed for optimum performance and reliability. The design of the purpose built incubator facilitates the addition of optional extras to provide greater flexibility for individual use, making it suitable for a wide range of applications including:-

- The study of growth patterns of plants and insects
- B.O.D.Tests
- Seed germination & vernalisation
- Tissue culture
- Enzyme testing
- Serum studies
- Immunology
- Fruit fly culture
- Sample storage
- Product shelf life tests

## Models

100W (100 litre) - benchtop or underbench  
200W (227 litre) - freestanding  
300W (290 litre) - freestanding  
400W (450 litre) - freestanding

## Construction

- Exterior – white stove enamelled mild steel
- Interior – Stainless Steel
- Insulation – foamed polyurethane for optimum results



**LMS**

Two Year Guarantee

## Design

- Digital control with digital readout
- Fan assisted air circulation via premixing chamber
- Full P.I.D. heating/cooling control to ensure stable internal temperature
- Pre-set 70°C safety cutout for total cabinet protection
- Electronics RF and TV suppressed
- Hermetically sealed refrigeration system
- Self-evaporating condensate drip-tray
- Doorlock
- White plastic coated wire shelves
- RJ 45 interface

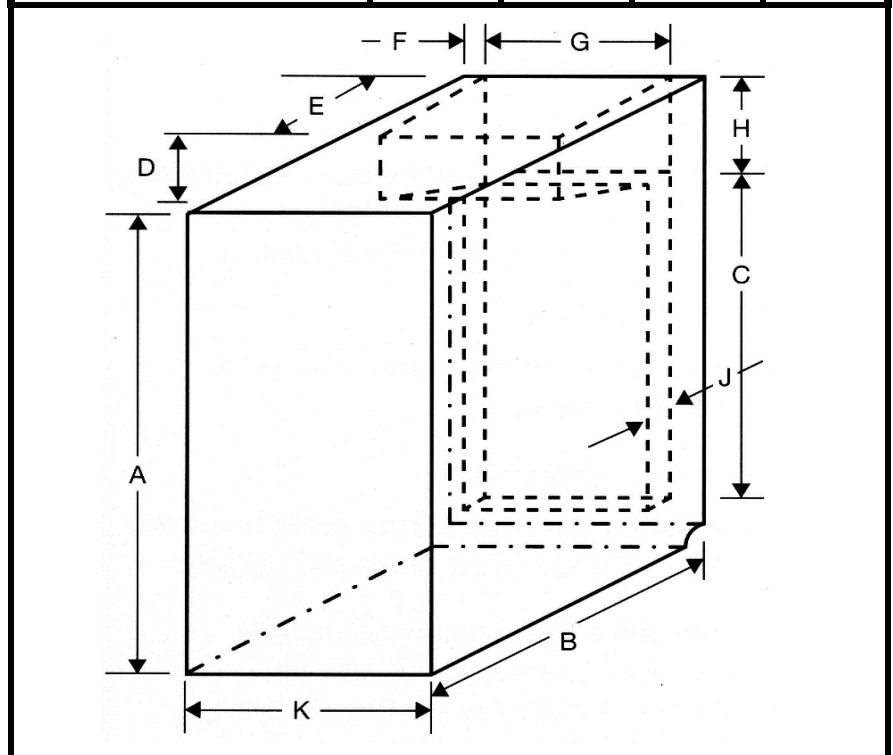
## Operation

- Controls easy to read and simple to use
- Temperature range -10°C to +50°C (excluding interior illumination & double glazed door models) with an average variation of  $\pm 0.5^\circ\text{C}$  and fluctuation of  $0.1^\circ\text{C}$  with an average workload
- Temperature set by direct reading digital controller

## Optional Extras

- Automatic dual temperature control
- Interior LED lighting
- Inner clear perspex door
- Built in paperless chart recorder
- Manual high/low temperature audible and visual alarm system with safety cut-out
- Access porthole
- Special evaporator for corrosive conditions
- Internal socket outlet
- Fully programmable controller

Model		100	200	300	400
External	Height	800	1550	1810	1810
Dimensions	Width	610	680	680	690
	Depth	630	670	670	920
Capacity	(Litres)	100	227	290	450
Shelf Size	(MM)	530x400	510x390	510x390	510x600
Number of Shelves		2	3	3	3
Unladen Weight		50Kgs	125Kgs	130Kgs	140Kgs
Internal	A	490	920	1170	1170
	B	440	450	450	700
Dimensions	C	350	590	840	840
	D	130	170	170	170
	E	310	280	280	280
	F	40	72	72	72
	G	470	406	406	406
	H	130	250	250	250
	J	45	51	51	51
	K	540	550	550	550



LMS Limited reserve the right to amend the specification of all models without prior notice in the light of changing user techniques.

The standard voltage is 240v 50Hz but other volts/cycles are available.

