

IKA

designed for scientists

T-SP-Set
(T-spindle set for IKA ROTAVISC)

ENGLISH

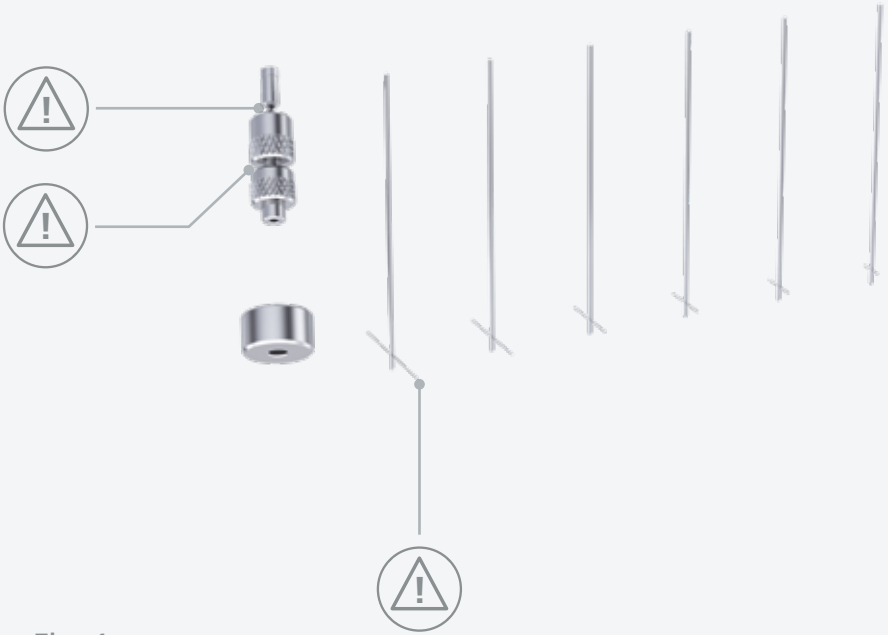









Fig. 1

	Explication of warning symbols	5
	Safety instructions.....	6
	Intended use.....	6
	Unpacking	7
	Assembly	8
	Spindle information.....	9
	Maintenance and cleaning	10
	Technical Data	11
	Warranty	11

Source language: German

Explication of warning symbols



/// Warning symbols



Caution!

Indicates a potentially hazardous situation, which, if not avoided, can result in injury.



Notice!

Indicates practices which, if not avoided, can result in equipment damage.

/// General Symbols



Position number

Indicates device components relevant to actions.



Correct / result

Indicates the correct execution or the result of an action step.



Wrong
Indicates the incorrect execution of an action step.



Note
Indicates steps of actions that require particular attention.



Safety instructions

/// General information

- › **Read the operating instructions in its entirety before using the device and follow the safety instructions. If this accessory is used with another device, observe also its operating instructions.**
- › Keep the operating instructions in a place where it can be accessed by everyone.
- › Ensure that only trained staff work with the device.
- › Follow the safety instructions, guidelines, occupational health and safety and accident prevention regulations.



Notice!

- › Pay attention to the marked sites in Fig. 1.
- › Read the operating instructions of the IKA ROTAVISC and the IKA HELISTAND before starting.



Intended use

/// Use

- › The IKA T-SP-Set allows the viscosity measurement of materials such as pasty fluids, gel fluids, creams etc. The IKA T-SP-Set can only be used with the IKA ROTAVISC that mounted on the IKA HELISTAND.



Notice!

The IKA T-SP-Set is not recommended for checking the calibration of the IKA ROTAVISC. During measurement the recommended maximum speed allowed for the IKA ROTAVISC lo-vi is 12 rpm, and for the IKA ROTAVISC me-vi, hi-vi I and hi-vi II it is 10 rpm.

/// Area of use

- › Indoor environments similar to that a laboratory of research, teaching, trade or industry area.
- › The safety of the user cannot be guaranteed:
 - If the device is operated with accessories that are not supplied or recommended by the manufacturer.
 - If the device is operated improperly or contrary to the manufacturer's specifications.
 - If the device is modified by the third parties.

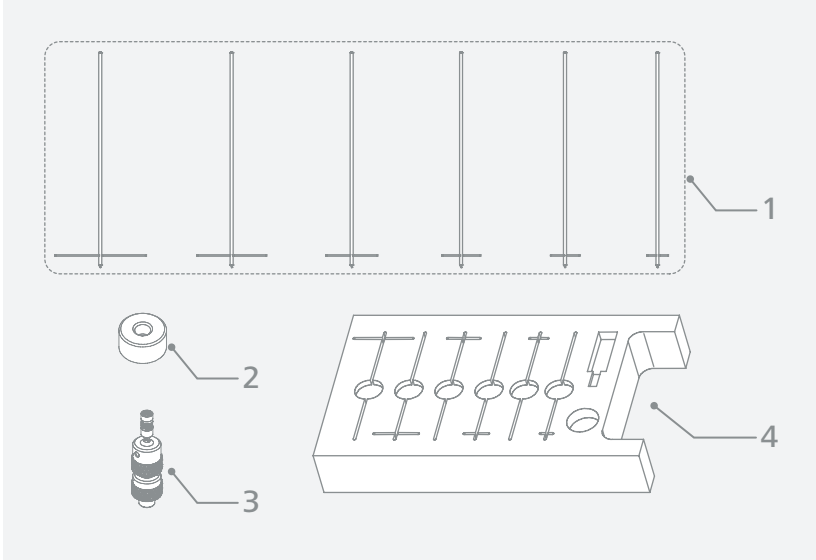
Unpacking



/// Unpacking

- › Unpack the device carefully. Any damage should immediately be reported to the carrier (mail, rail or freight forwarding company).

/// Scope of delivery

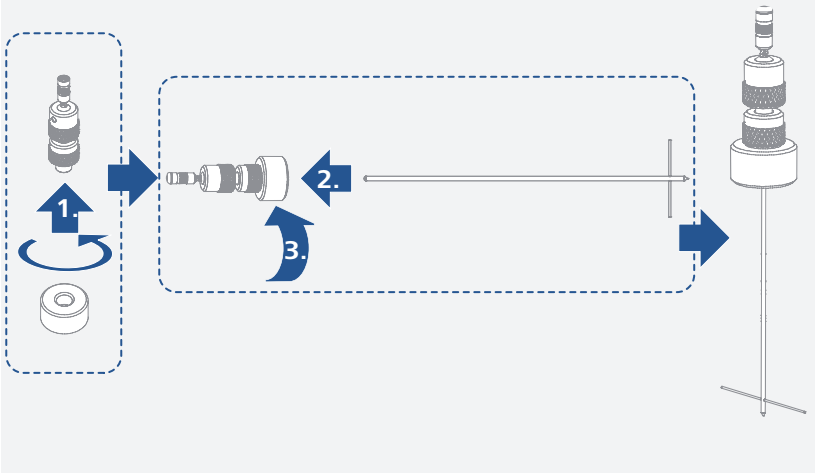


1	T Spindles	3	Coupling
2	Nut	4	Carrying case

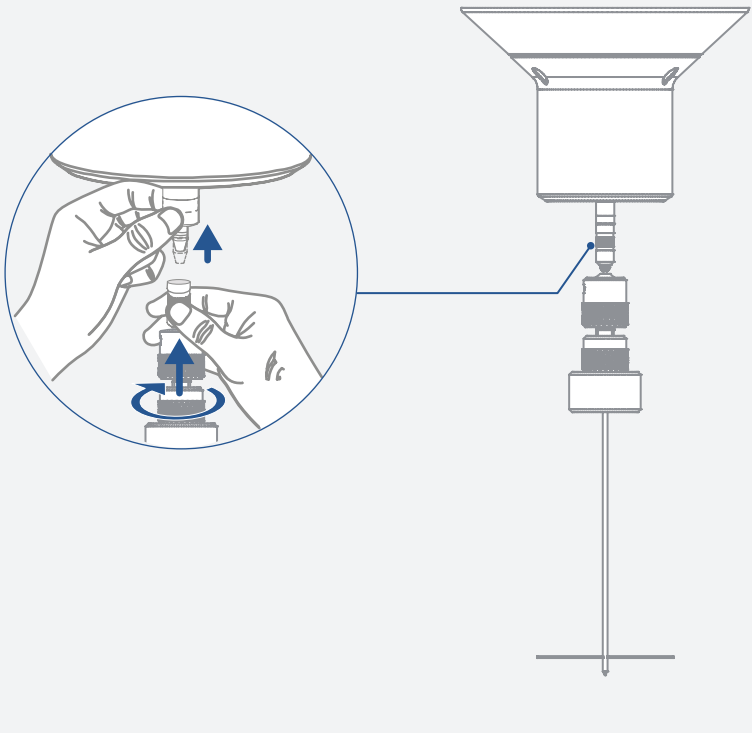


Assembly

1



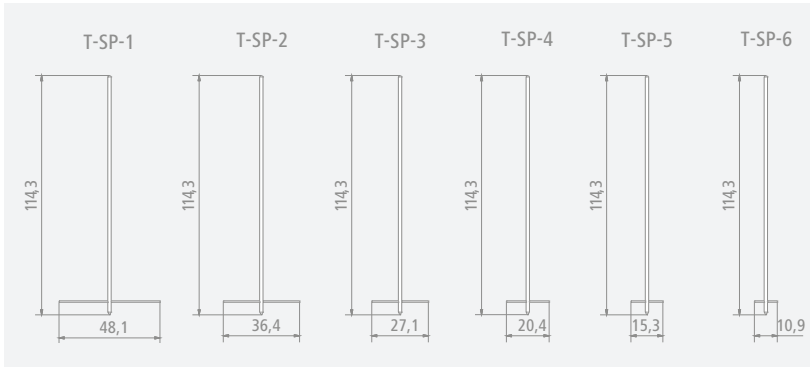
2



Spindle information



/// Spindle dimensions (mm)



/// Full-scale range based on speed: 1... 200 rpm

Spindle	lo-vi		me-vi		hi-vi I		hi-vi II	
	M%		M%		M%		M%	
	100	100	100	100	100	100	100	100
	Min.	Max.	Min.	Max.	Min.	Max.	Min.	Max.
T-SP-1	93.73	18746	1000	200000	2000	400000	8000	1600000
T-SP-2	187.5	37492	2000	400000	4000	800000	16000	3200000
T-SP-3	469	93730	5000	1000000	10000	2000000	40000	8000000
T-SP-4	937	187460	10000	2000000	20000	4000000	80000	16000000
T-SP-5	2343	468650	25000	5000000	50000	10000000	200000	40000000
T-SP-6	4687	937300	50000	10000000	100000	20000000	400000	80000000
rpm	200	1	200	1	200	1	200	1

/// Measuring range base on speed: 0.1... 10 rpm

Spindle	lo-vi		me-vi		hi-vi I		hi-vi II	
	M%		M%		M%		M%	
	10	100	10	100	10	100	10	100
	Min.	Max.	Min.	Max.	Min.	Max.	Min.	Max.
T-SP-1	187.46	187460	2000	2000000	4000	4000000	16000	16000000
T-SP-2	374.9	374920	4000	4000000	8000	8000000	32000	32000000
T-SP-3	937	937300	10000	10000000	20000	20000000	80000	80000000
T-SP-4	1875	1874600	20000	20000000	40000	40000000	160000	160000000
T-SP-5	4687	4686500	50000	50000000	100000	100000000	400000	400000000
T-SP-6	9373	9373000	100000	100000000	200000	200000000	800000	800000000
rpm	10	0.1	10	0.1	10	0.1	10	0.1

Maintenance and cleaning

- › The device is maintenance-free.

/// Cleaning

- › Use only cleaning agents which have been approved by IKA to clean IKA devices. These are water (with tenside) and isopropanol.
- › Wear protective gloves during cleaning the devices.
- › Before using another than the recommended method for cleaning or decontamination, the user must ascertain with IKA that this method does not destroy the device.

/// Spare parts order

- › When ordering spare parts, please give:
 - device type.
 - serial number, see type plate.
 - position number and description of spare part, see www.ika.com.

/// Repair

- › Please only send devices in for repair that have been cleaned and are free of materials which might present health hazards.
- › For repair, please request the “**Safety Declaration (Decontamination Certificate)**” from IKA or use the download printout of it from IKA website at www.ika.com.
- › If your appliance requires repair, return it in its original packaging. Storage packaging is not sufficient when sending the device - also use appropriate transport packaging.

Technical data



Geometry		T-bar
Connection		Thread M2.5 LH
Quick plug connector		yes
Hook connector		yes
Sample volume	ml	500
Sample container	ml	600 (low form beaker)
Working temperature max.	°C	300
Dimensions (W x H x D)	mm	160 x 82 x 270
Weight	kg	0.45
Material in contact with sample		Stainless steel 1.4404

› *Subject to technical changes!*

Warranty

- › In accordance with IKA warranty conditions, the warranty period is 24 months. For claims under the warranty please contact your local dealer. You may also send the machine direct to our factory, enclosing the delivery invoice and giving reasons for the claim. You will be liable for freight costs.
- › The warranty does not cover worn out parts, nor does it apply to faults resulting from improper use, insufficient care or maintenance not carried out in accordance with the instructions in this operating manual.



designed for scientists

IKA-Werke GmbH & Co. KG

Janke & Kunkel-Straße 10, 79219 Staufen, Germany
Phone: +49 7633 831-0, Fax: +49 7633 831-98
eMail: sales@ika.de

USA

IKA Works, Inc.
Phone: +1 910 452-7059
eMail: usa@ika.net

KOREA

IKA Korea Ltd.
Phone: +82 2 2136 6800
eMail: sales-lab@ika.kr

BRAZIL

IKA Brasil
Phone: +55 19 3772 9600
eMail: sales@ika.net.br

MALAYSIA

IKA Works (Asia) Sdn Bhd
Phone: +60 3 6099-5666
eMail: sales.lab@ika.my

CHINA

IKA Works Guangzhou
Phone: +86 20 8222 6771
eMail: info@ika.cn

POLAND

IKA Poland Sp. z o.o.
Phone: +48 22 201 99 79
eMail: sales.poland@ika.com

JAPAN

IKA Japan K.K.
Phone: +81 6 6730 6781
eMail: info_japan@ika.ne.jp

INDIA

IKA India Private Limited
Phone: +91 80 26253 900
eMail: info@ika.in

UNITED KINGDOM

IKA England LTD.
Phone: +44 1865 986 162
eMail: sales.english@ika.com

VIETNAM

IKA Vietnam Company Limited
Phone: +84 28 38202142
eMail: sales.lab-vietnam@ika.com

Discover and order the fascinating products of IKA online:
www.ika.com



IKAworlwide



IKAworlwide /// #lookattheblue



@IKAworlwide

Technical specifications may be changed without prior notice.