

IKA








designed for scientists

DINS-1
(DIN spindle set for IKA Rotavisc)

ENGLISH



Fig. 1





	Explication of warning symbols	5
	Safety instructions.....	6
	Intended use.....	6
	Unpacking	6
	Assembly	8
	Spindle information.....	12
	Maintenance and cleaning	14
	Technical Data	15
	Warranty	15

Source language: German





Explication of warning symbols



/// Warning symbols

- 
Danger! Indicates an (extremely) hazardous situation, which, if not avoided, will result in death, serious injury.
- 
Warning! Indicates a hazardous situation, which, if not avoided, can result in death, serious injury.
- 
Caution! Indicates a potentially hazardous situation, which, if not avoided, can result in injury.
- 
Notice! Indicates practices which, if not avoided, can result in equipment damage.


/// General Symbols

-  Position number
Indicates device components relevant to actions.
-  Correct / result
Indicates the correct execution or the result of an action step.
-  Wrong
Indicates the incorrect execution of an action step.
-  Note
Indicates steps of actions that require particular attention.



Safety instructions

/// General information

- › **Read the operating instructions in its entirety before using the device and follow the safety instructions.**
 - › Keep the operating instructions in a place where it can be accessed by everyone.
 - › Ensure that only trained staff work with the device.
 - › Follow the safety instructions, guidelines, occupational health and safety and accident prevention regulations.
-  **Notice!**
- › Pay attention to the marked sites in Fig. 1.
 - › Read the operating instructions of the IKA Rotavisc and the IKA Rotastand before starting.



Intended use

/// Use

- › IKA DINS-1 spindle set measures viscosities according DIN 53019. A double jacket to quickly heat up or cool down the sample as well as a coaxial cylinder system for the analysis of the sample at a specific shear rate is included.

/// Area of use

- › Indoor environments similar to that a laboratory of research, teaching, trade or industry area.
- › The safety of the user cannot be guaranteed:
 - If the device is operated with accessories that are not supplied or recommended by the manufacturer.
 - If the device is operated improperly or contrary to the manufacturer's specifications.
 - If the device is modified by the third parties.

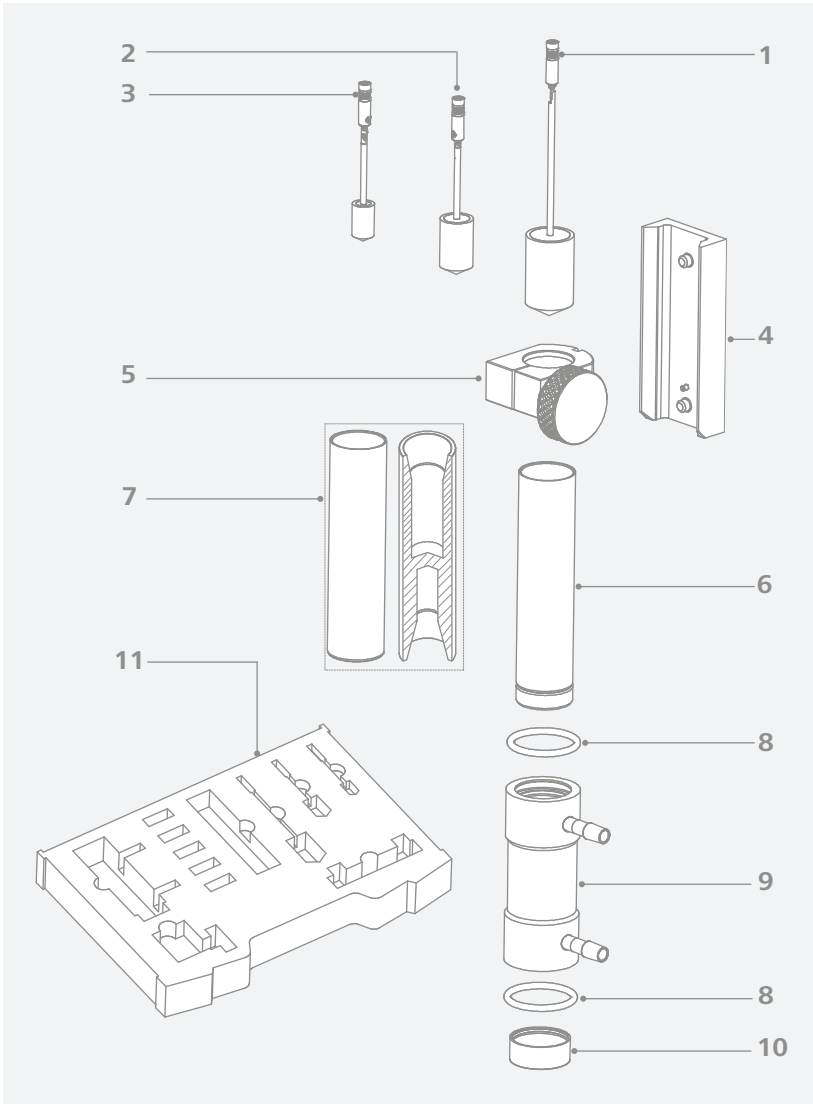


Unpacking

/// Unpacking

- › Unpack the device carefully. Any damage should immediately be reported to the carrier (mail, rail or freight forwarding company).

/// Scope of delivery

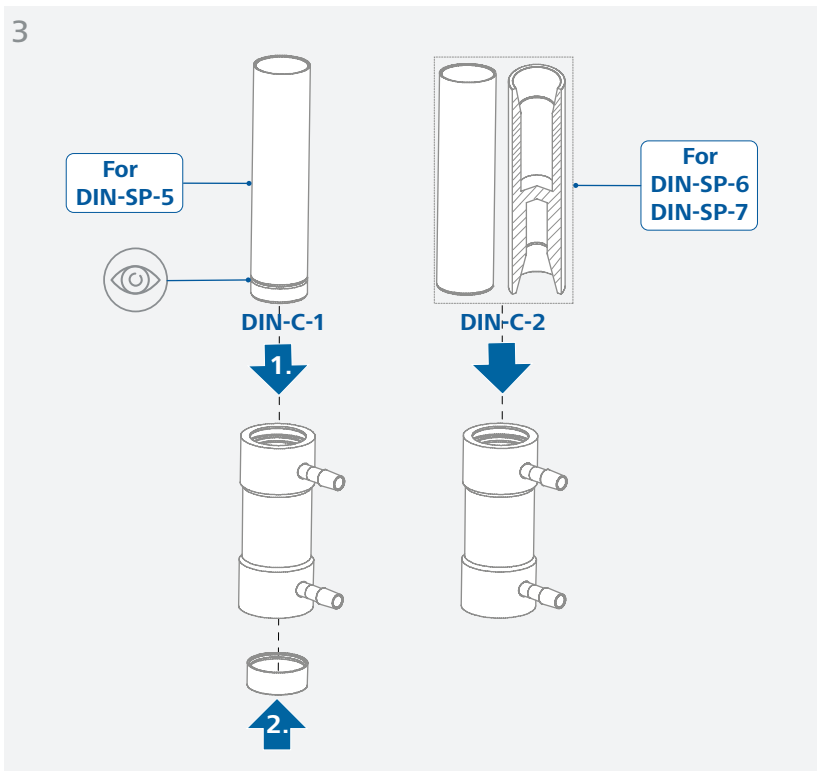
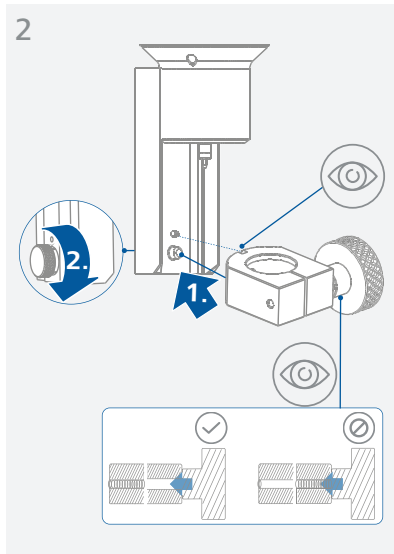
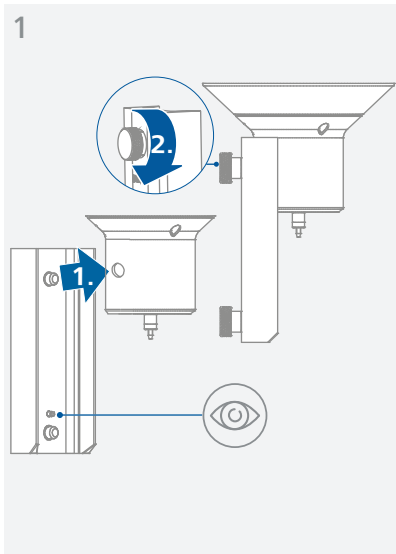


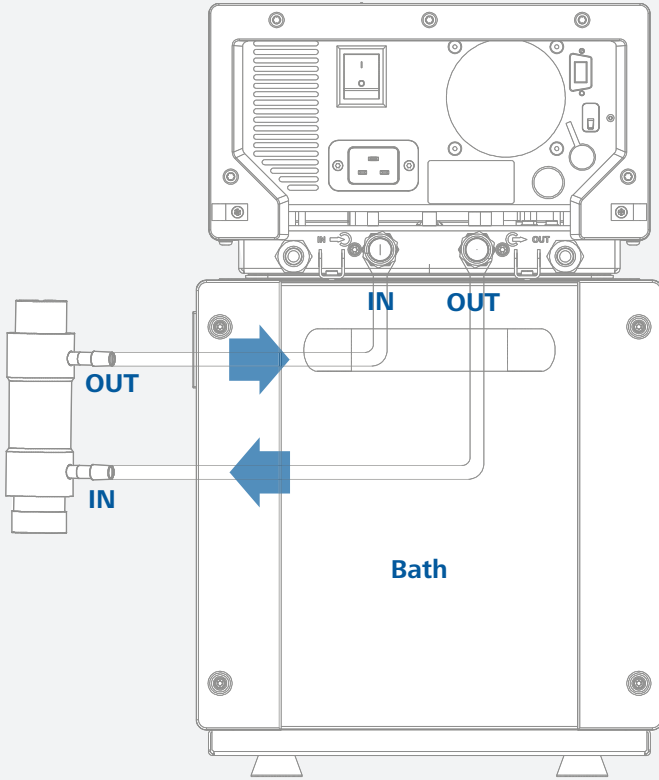
1	Spindle DIN-SP-5
2	Spindle DIN-SP-6
3	Spindle DIN-SP-7
4	Locating channel assembly DIN 1.1
5	Collar assembly DIN 1.11 (with thumbwheel)
6	Chamber DIN-C-1 (for DIN-SP-5)

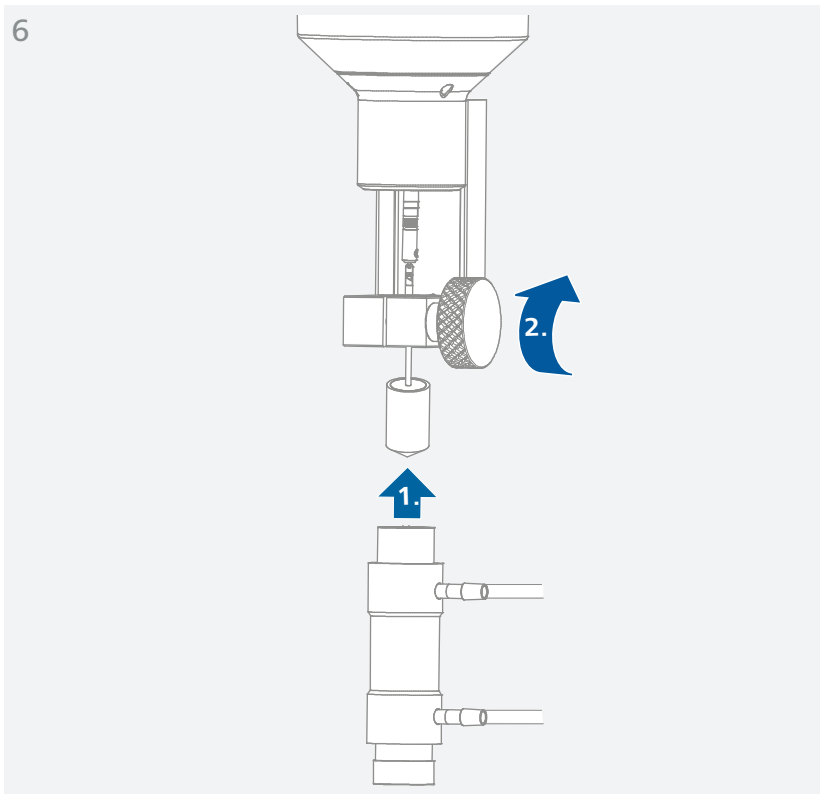
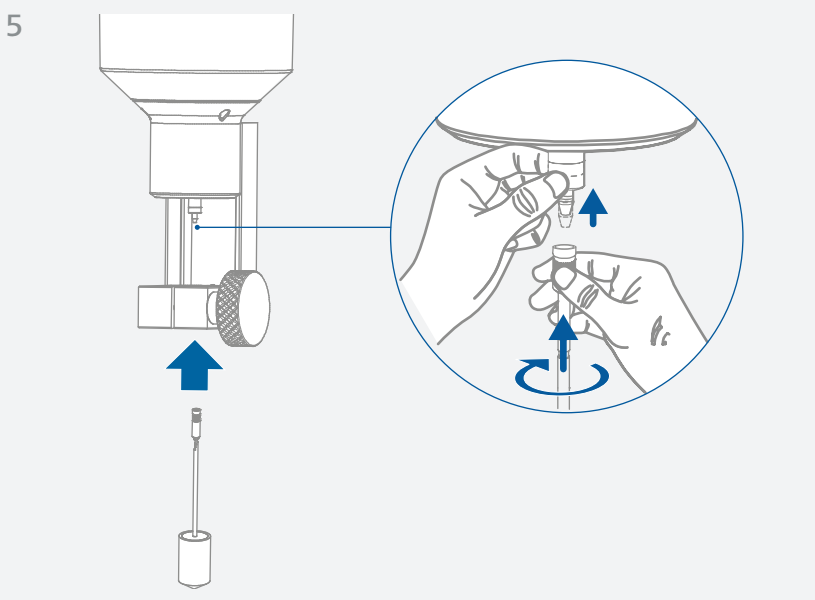
7	Chamber DIN-C-2 (for DIN-SP-6 and DIN-SP-7)
8	O-ring (30 x 3.5 mm, 2x)
9	Water jacket DIN 1.2
10	Chamber cap DIN-CC-1 (6 x, for DIN-C-1)
11	Carrying case



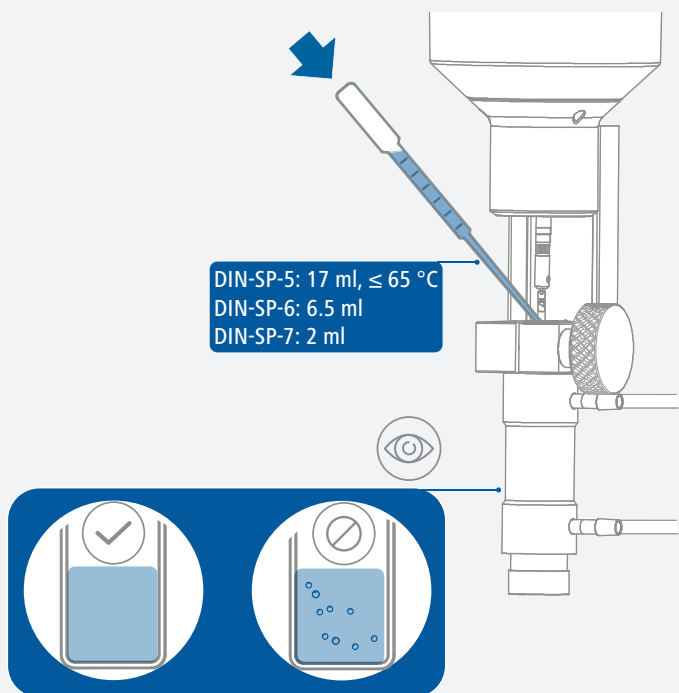
Assembly







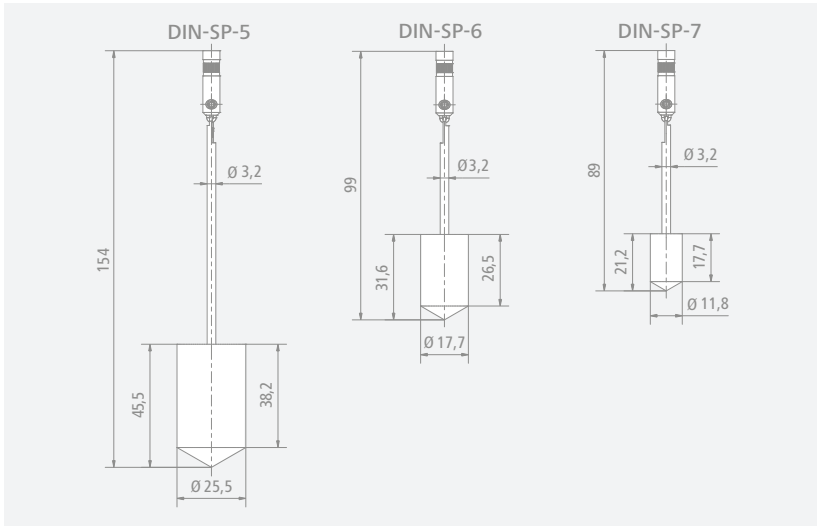
7



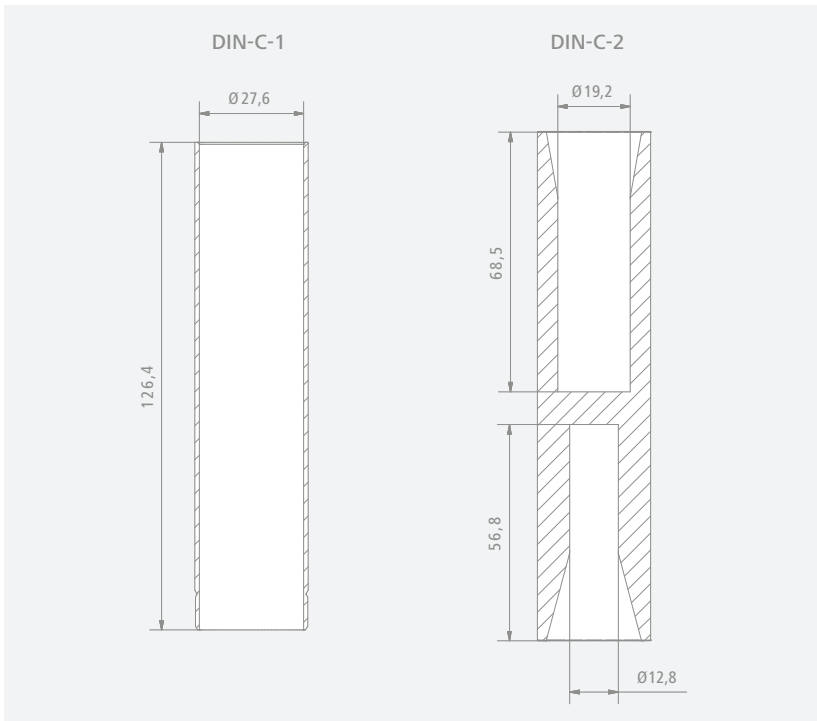


Spindle information

/// Spindle dimensions (mm)



/// Measuring chamber innerdiameters (mm)



///
Full-scale range based on speed: 1 ... 200 rpm

Spindle	Sample volume (ml)	lo-vi		me-vi		hi-vi I		hi-vi II	
		<i>M%</i>		<i>M%</i>		<i>M%</i>		<i>M%</i>	
		<u>100</u>	<u>100</u>	<u>100</u>	<u>100</u>	<u>100</u>	<u>100</u>	<u>100</u>	<u>100</u>
		Min.	Max.	Min.	Max.	Min.	Max.	Min.	Max.
DIN-SP-5	17	5.7	1143.5	61	5000	122	5000	488	5000
DIN-SP-6	6.5	17.1	3421.1	183	10000	365	10000	1460	10000
DIN-SP-7	2	56.8	11340	607	50000	1213	50000	4852	50000
<i>rpm</i>		<u>200</u>	<u>1</u>	<u>200</u>	<u>1</u>	<u>200</u>	<u>1</u>	<u>200</u>	<u>1</u>

///
Measuring range base on speed: 0.1 ... 200 rpm

Spindle	Sample volume (ml)	lo-vi		me-vi		hi-vi I		hi-vi II	
		<i>M%</i>		<i>M%</i>		<i>M%</i>		<i>M%</i>	
		<u>10</u>	<u>100</u>	<u>10</u>	<u>100</u>	<u>10</u>	<u>100</u>	<u>10</u>	<u>100</u>
		Min.	Max.	Min.	Max.	Min.	Max.	Min.	Max.
DIN-SP-5	17	0.6	5000	6	5000	12.2	5000	49	5000
DIN-SP-6	6.5	1.7	10000	18	10000	36.5	10000	146	10000
DIN-SP-7	2	5.7	50000	61	50000	121.3	50000	485	50000
<i>rpm</i>		<u>200</u>	<u>0.1</u>	<u>200</u>	<u>0.1</u>	<u>200</u>	<u>0.1</u>	<u>200</u>	<u>0.1</u>

///
Temperature-controlled tubing recommended:

Temperature	Recommended fluid	Recommended tubing
-10 °C ... 15 °C	50/50 Ethylene Glycol /Water	PVC Hose, IKA H.PVC.8 Tube
15 °C ... 65 °C	Water	Silicon Hose, IKA H.SI.8 Tube
65 °C ... 100 °C	Silicon oil	FKM Hose, IKA H.FKM.8 Tube or H.PUR.8.R

- › ID 8 mm tubing is recommended. You may order the clamps from IKA.
- › Use laboratory grade ethylene glycol only! Automobile anti-freeze fluid is not allowed for use as it may damage the device.
IKA thermal fluids recommended: HF.Si.20.200.50 and UF.Si.N30.150.10LV.
- › Never use high-viscosity silicon oil.
Viscosity recommended: ≤ 50 mPa.s

Maintenance and cleaning

- › The device is maintenance-free.

/// Cleaning

- › Use only cleaning agents which have been approved by IKA to clean IKA devices. These are water (with tenside) and isopropanol.
- › Wear protective gloves during cleaning the devices.
- › Before using another than the recommended method for cleaning or decontamination, the user must ascertain with IKA that this method does not destroy the device.

/// Spare parts order

- › When ordering spare parts, please give:
 - device type.
 - serial number, see type plate.
 - position number and description of spare part, see www.ika.com.

/// Repair

- › Please only send devices in for repair that have been cleaned and are free of materials which might present health hazards.
- › For repair, please request the “**Safety Declaration (Decontamination Certificate)**” from IKA or use the download printout of it from IKA website at www.ika.com.
- › If your appliance requires repair, return it in its original packaging. Storage packaging is not sufficient when sending the device - also use appropriate transport packaging.

Technical data



Geometry		Cylinder
Connection		Thread M2.5 LH
Hook connector		yes
Sample volume range	ml	2 ... 17
Flow jacket		yes
Mounting bracket		yes
Sample container		Specified chamber
Working temperature max.	°C	100
Viscosity accuracy	%	± 2 of full scale range
Viscosity repeatability	%	± 0.2 of full scale range
Dimensions (W x H x D)	mm	390 x 102 x 310
Weight	kg	2.515
Material in contact with sample		Stainless steel 1.4404 / LDPE

› *Subject to technical changes!*

Warranty

- › In accordance with IKA warranty conditions, the warranty period is 24 months. For claims under the warranty please contact your local dealer. You may also send the machine direct to our factory, enclosing the delivery invoice and giving reasons for the claim. You will be liable for freight costs.
- › The warranty does not cover worn out parts, nor does it apply to faults resulting from improper use, insufficient care or maintenance not carried out in accordance with the instructions in this operating manual.



designed for scientists

IKA-Werke GmbH & Co. KG

Janke & Kunkel-Straße 10, 79219 Staufen, Germany
Phone: +49 7633 831-0, Fax: +49 7633 831-98
eMail: sales@ika.de

USA

IKA Works, Inc.
Phone: +1 910 452-7059
eMail: usa@ika.net

KOREA

IKA Korea Ltd.
Phone: +82 2 2136 6800
eMail: sales-lab@ika.kr

BRAZIL

IKA Brasil
Phone: +55 19 3772 9600
eMail: sales@ika.net.br

MALAYSIA

IKA Works (Asia) Sdn Bhd
Phone: +60 3 6099-5666
eMail: sales.lab@ika.my

CHINA

IKA Works Guangzhou
Phone: +86 20 8222 6771
eMail: info@ika.cn

POLAND

IKA Poland Sp. z o.o.
Phone: +48 22 201 99 79
eMail: sales.poland@ika.com

JAPAN

IKA Japan K.K.
Phone: +81 6 6730 6781
eMail: info_japan@ika.ne.jp

INDIA

IKA India Private Limited
Phone: +91 80 26253 900
eMail: info@ika.in

UNITED KINGDOM

IKA England LTD.
Phone: +44 1865 986 162
eMail: sales.english@ika.com

VIETNAM

IKA Vietnam Company Limited
Phone: +84 28 38202142
eMail: sales.lab-vietnam@ika.com

Discover and order the fascinating products of IKA online:
www.ika.com



IKAWorldwide



IKAWorldwide /// #lookattheblue



@IKAWorldwide

Technical specifications may be changed without prior notice.