

MEDIAJET – Connection Kit DOMINO 320i/A420i/Ax150i/Ax350i inkjet

Operating Instructions V03 for inkjet printhead installation

Document Change History

Vers.	Status:	Date:	Change:
V00	Released	28.02.2013	Document issued
V01	Released	11.02.2015	Include new printer (Domino A410i)
V02	Released	02.06.2015	Picture exchange, compatibility
V03	Released	12.10.2018	Include new printers Ax150i, Ax350i, make consistent

Table of Contents

1	Introduction-----	1
2	Required Accessories and Documentation -----	1
3	Mount the printer head onto MEDIAJET-----	2
4	Imprint-----	3

1 Introduction

This document describes installation and connection of the Domino inkjet printer head to the MEDIAJET (MJ) dish filler. The following Domino types are supported:

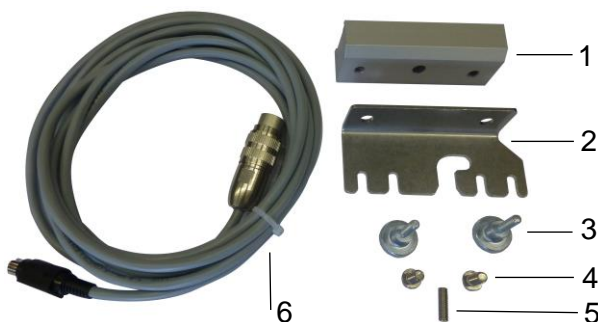
- Domino A320i (discontinued)
- Domino A420i (discontinued)
- Domino Ax150i
- Domino Ax350i

Before starting with the installation, please carefully read MJ and the corresponding Domino operating instructions. Please note that MJ units manufactured before March 2013 (serial numbers below 10313569/11313248) are not compatible with Domino inkjet printers.

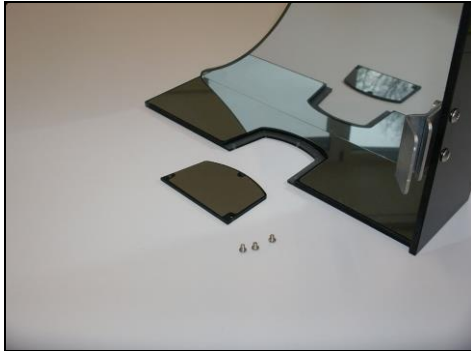
2 Required Accessories and Documentation

The components listed below are required to connect the inkjet printer to MEDIAJET. Components available from INTEGRA Biosciences:

- MEDIAJET Dish Filler (Part no. 103005 / 103006 / 113000 / 113001 / 113002)
- MJ Operating Instructions (Part no. 103950)
- Connection kit for Domino A320i / A420i inkjet printer (Part no. 113060):
 - 1 Printer head retainer
 - 2 Mounting bracket
 - 3 Knurled head screw M5x16 (2x)
 - 4 Lens head screw M6x10 (2x)
 - 5 Setscrew M5x16
 - 6 Interface cable MJ to Domino (Part no. 103082)
 This document (Part no. 103982)



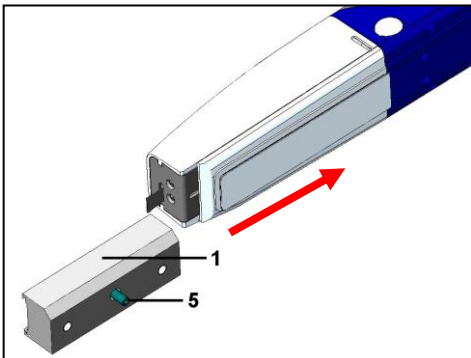
3 Mount the printer head onto MEDIAJET



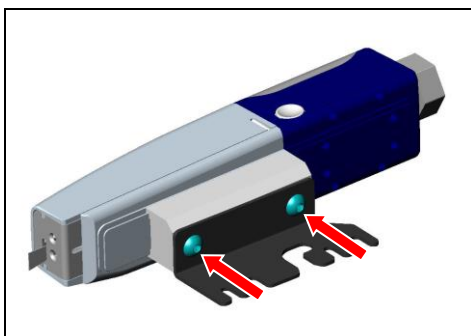
Remove the slot cover on the back side of the MEDIAJET Plexiglas safety cover.



Spear and remove the two screw caps (Part no. 103628) which cover the threads of the print head fixing points using a thin screwdriver.

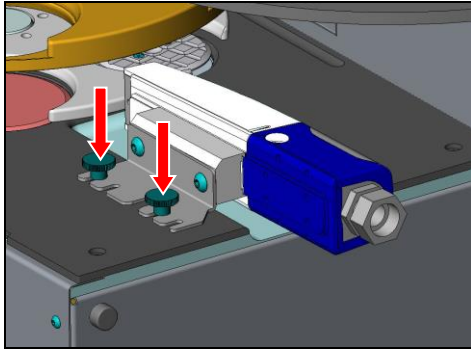


Slide-in Printer head retainer (1) onto Domino printer head and fix it using the Setscrew M5x16 (5).

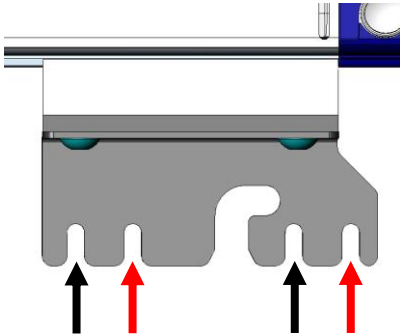


Fix the Mounting bracket (2) to the Printer head retainer (1) connected to the Domino inkjet printer head using the two M6x10 lens head screws (4).

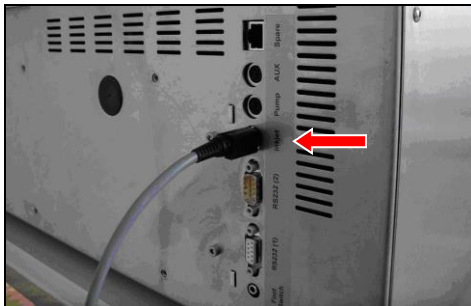
Note: Fix the Mounting bracket (2) so that the head points slightly downward. This allows the vertical adjustment of the inkjet stream to the Petro dish side wall.



Fix the printer head onto the MEDIAJET using the two knurled head screws (3).



Use the anterior slots (black arrows) when printing on 90 mm Petri dishes or use the posterior slots (red arrows) when printing on 60 mm Petri dishes to fix the Mounting bracket (1) onto the MEDIAJET.



Insert the Mini-DIN 8 poles plug of the Interface cable (103082) into the socket labeled with INKJET on the rear panel of the MEDIAJET.

Insert the plug at the other end of the interface cable according to the Domino Operating Instructions.

4 Imprint

© 2018 INTEGRA Biosciences AG

All rights relating to this documentation reserved. INTEGRA Biosciences AG especially reserves the rights of duplication, processing, translation and display format. Any reproduction of parts or the entire documentation, or storage thereof on electronic media, or processing or dissemination thereof, requires the prior written consent of INTEGRA Biosciences AG.

This Installation Instructions has the part number 103982; the version is V03.

Manufacturer

INTEGRA Biosciences AG
CH-7205 Zizers, Switzerland
T +41 81 286 95 30
F +41 81 286 95 33

info@integra-biosciences.com
<http://www.integra-biosciences.com>