

## Instructions for use

UVette® universal adapter  
English (EN)

This document is a supplement to the instructions for use of the Eppendorf UVette® and does not replace these. Read the instructions for use of the Eppendorf UVette®. The current version is available on our website: [www.eppendorf.com](http://www.eppendorf.com).

## 1 Product description

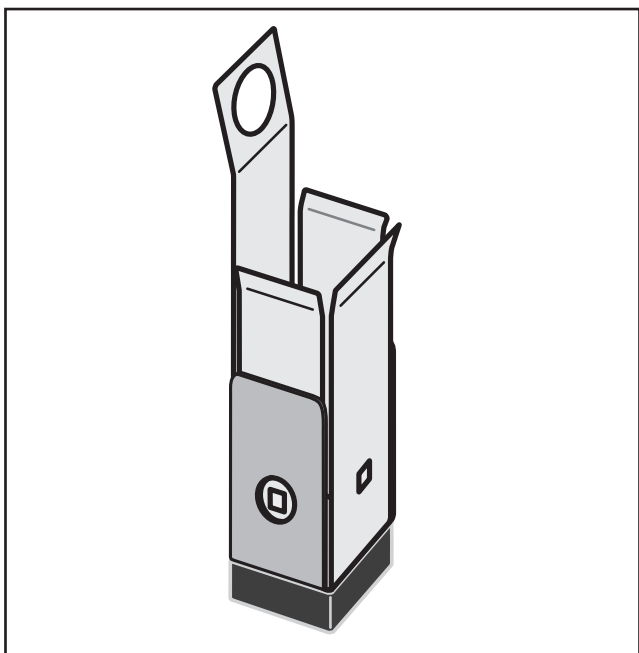


Fig. 1: UVette universal adapter

The UVette universal adapter is suitable for spectrophotometers with light path heights of 8.5 mm and 15 mm.

For spectrophotometers with a light path height of 15 mm the universal adapter is ready for use immediately. For spectrophotometers with a light path height of 8.5 mm the foot of the adapter must be disassembled.

You can measure the light path height of the spectrophotometer yourself or take this information from the manufacturer's specifications.

## 2 Measuring the light path height of the spectrophotometer

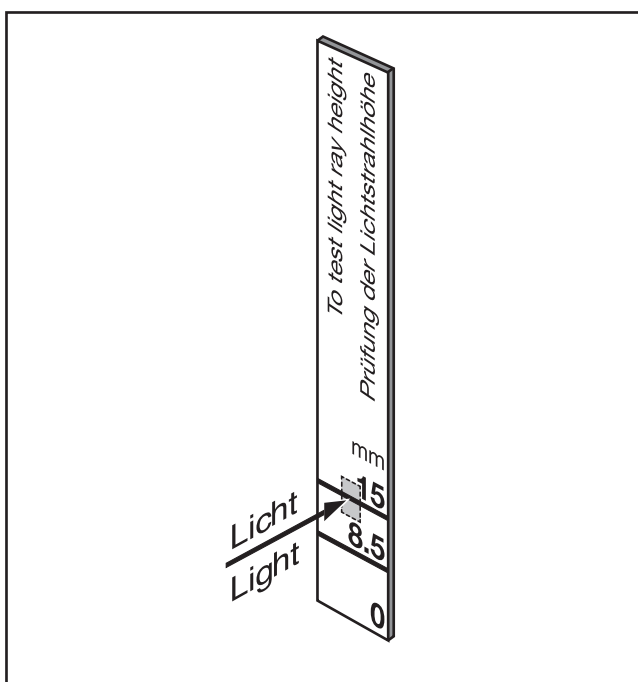


Fig. 2: Measuring the light path height

Auxiliary equipment

- Measuring stick

1. Switch the spectrophotometer on.
2. Select a wavelength of 550 nm.
3. Insert the measuring stick vertically into the cuvette shaft until it fits on the bottom of the cuvette shaft. A light spot becomes visible on the measuring stick.
4. Read light path height.

## Instructions for use

UVette® universal adapter  
English (EN)

### 3 Adjusting the UVette universal adapter to the light path height 8.5 mm

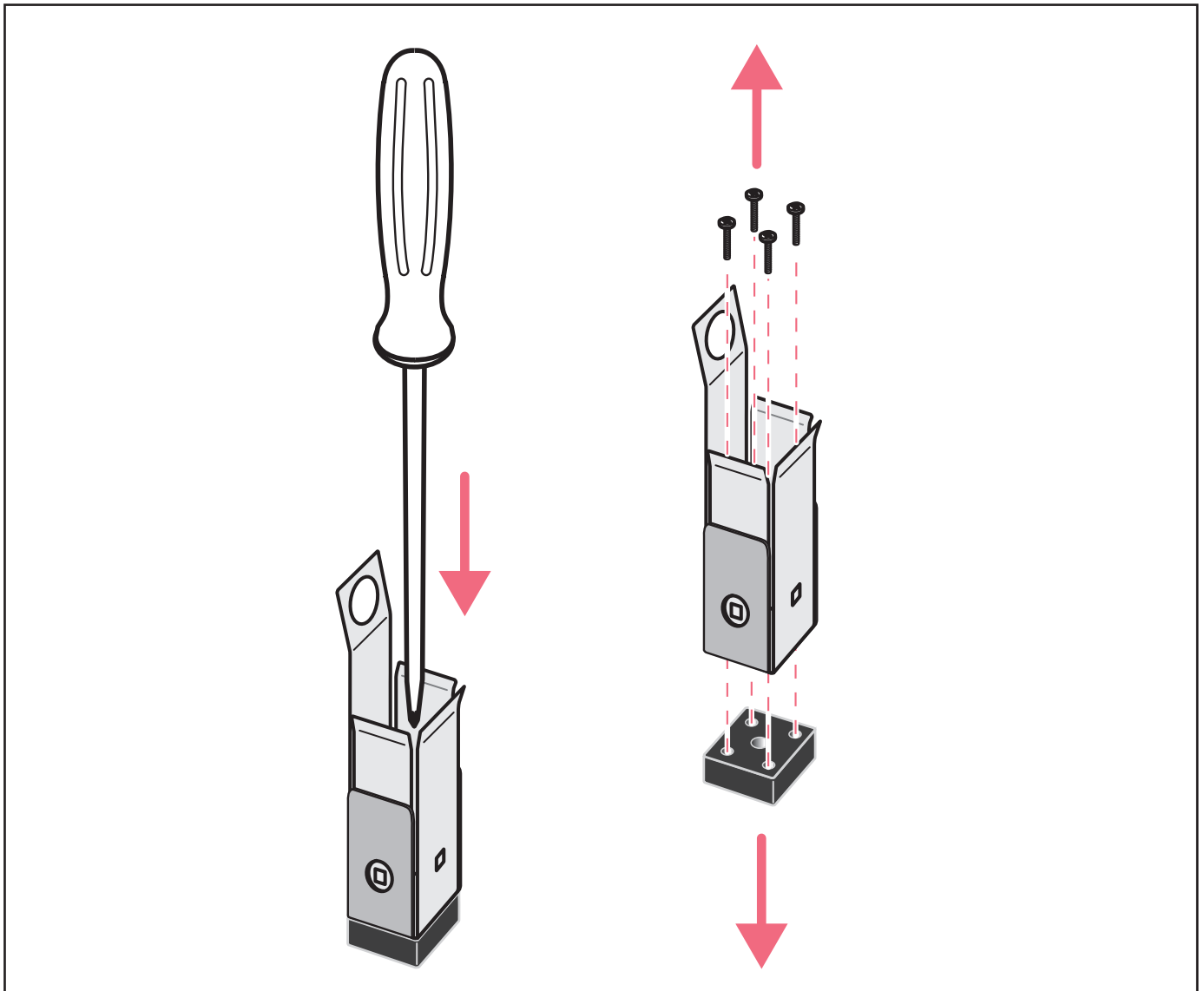


Fig. 3: Disassembling the foot of the UVette universal adapter

#### Auxiliary equipment

- Phillips screwdriver

1. Loosen and remove the 4 screws in the UVette universal adapter.
2. Remove the foot of the UVette universal adapter.

Your local distributor: [www.eppendorf.com/contact](http://www.eppendorf.com/contact)

Eppendorf AG · 22331 Hamburg · Germany

[eppendorf@eppendorf.com](mailto:eppendorf@eppendorf.com) · [www.eppendorf.com](http://www.eppendorf.com)