

Operating Instructions Biological Safety Cabinet MSC-Advantage™

Copyright 2011

These operating instructions are protected by copyright. Rights resulting thereof, particularly reprint, photomechanical or digital postprocessing or reproduction, even in part, are only allowed with the written consent of Thermo Electron LED GmbH.

This regulation does not apply to reproductions for in-plant use.

Trademarks

MSC Advantage and SmartFlow are registered trademarks of Thermo Scientific. Thermo Scientific is a brand of Thermo Fisher Scientific Inc.

All other trademarks mentioned in the operating instructions are the exclusive property of the respective manufacturers.

Thermo Electron LED GmbH
Robert-Bosch-Straße 1
D - 63505 Langenselbold
Germany

The Thermo Electron LED GmbH is a subsidiary from:

Thermo Fisher Scientific Inc.
81 Wyman Street
Waltham, MA 02454
USA

Contents

1	General notes	6
1.1	Instruction of the operating personnel	6
1.2	Applicability of the instructions	7
1.3	Warranty	7
1.4	Explanation of symbols	8
1.4.1	Symbols used in the operating instructions	8
1.4.2	Symbols on the device	9
1.5	Use of the device	10
1.5.1	Correct use	10
1.5.2	Incorrect use	10
1.6	Standards and safety regulations	11
2	Delivery	12
2.1	Standard components	12
2.2	Acceptance inspection	12
2.3	Transport security lock and device packaging	12
3	Installation	13
3.1	Ambient conditions	13
3.2	Room ventilation	14
3.3	Correct location	14
3.4	Installation in series	14
3.5	Transport	15
4	Description of the device	16
4.1	Overall view	16
4.2	Safety system	18
4.3	Filter system	19
4.4	Operating and display elements	20
4.5	Sample chamber access	21
4.6	Device interfaces	22
4.7	Sample chamber illumination	24
4.8	UV lamp unit	24
4.9	Working area	24
5	Start-up	25
5.1	Initial operation	25
5.2	Installing the device and accessories	25
5.3	Unlocking the transport protection	26
5.4	Levelling the cabinet	26
5.5	Power supply connection	27
5.6	Installation test	29
6	Handling and control	30
6.1	Operating panel	30
6.1.1	Functional units	30
6.1.2	Display during calibration routine	31
6.1.3	Display during UV disinfection	31
6.1.4	Failure messages	32
6.2	Device start-up	32
6.3	Description of the operating modes	33
7	Operation	35
7.1	Hygiene preparations for the sample chamber	35
7.2	Loading the sample chamber	35
7.3	Response to failure messages	35
7.4	Work rules	36

Contents

8	Shut-down	37
8.1	Interrupting an operation	37
8.2	Shutting the device down	37
9	Cleaning and decontamination	38
9.1	Decontamination procedure	38
9.2	Wipe/spray disinfection	38
9.3	UV disinfection after a wipe/spray disinfection	40
9.3.1	UV disinfection using the integral UV lamp	40
9.3.2	UV disinfection using a mobile UV device (optional)	40
9.3.3	Changing UV disinfection time	40
9.4	Disinfection with formaldehyde	41
9.5	Cleaning the exterior surfaces	41
9.6	Cleaning the front window	41
9.7	Cleaning the floorpan	42
9.8	Cleaning the protective grid	42
10	Maintenance	43
10.1	Inspection	43
10.2	Service	43
10.2.1	Sample chamber illumination	44
10.2.2	Optional UV lamps	44
10.3	Retrofitting and repairs	44
10.4	Exchanging SmartPorts	45
11	Disposal	46
11.1	Disposal procedure	46
12	Technical data	48
13	Device log	52
14	Certificate of decontamination	53

Figures

Fig. 1	Device arrangement in the operating room	14
Fig. 2	Lift points	15
Fig. 3	Overall view	17
Fig. 4	Filter system with downflow and exhaust air filter	19
Fig. 5	Operating and display elements	20
Fig. 6	Sample chamber opening	21
Fig. 7	Supply interfaces	22
Fig. 8	UV lamp unit	24
Fig. 9	Working area on the workplate, armrests	24
Fig. 10	Stand installation	25
Fig. 11	Unlocking the transport protection	26
Fig. 12	Operating panel I	30
Fig. 13	Operating panel II	31
Fig. 14	Display upon start-up	32
Fig. 15	Sitting posture	36
Fig. 16	Protective grid segment	42
Fig. 17	UV lamp replacement	44

1**General notes**

The following are the addresses of the international Thermo FisherScientific Sales Organisations.

Postal address Germany

Thermo Electron LED GmbH
Robert-Bosch-Straße 1
D - 63505 Langenselbold

Inquiries from Germany

Phone
Phone Sales 0800 1 536376
Phone Service 0800 1 112110

Fax Sales/Service 0800 1 112114
EMail info.labequipment.de@thermofisher.com

Enquiries from Europe, Middle East and Africa

Phone + 49 (0) 6184 / 90-6940
Fax + 49 (0) 6184 / 90-6772
EMail info.labequipment.de@thermofisher.com

Postal address USA

Thermo Fisher Scientific
275 Aiken Road
Asheville, NC 28804
USA

Enquiries from North America

Phone +1 800-879 7767
Fax +1 828-658 0363
EMail info.labequipment.de@thermofisher.com

Enquiries from Latin America

Phone +1 828-658 2711
Fax +1 828-645 9466
EMail info.labequipment.de@thermofisher.com

Enquiries from Asia Pacific

Phone +852-2711 3910
Fax +852-2711 3858
EMail info.labequipment.de@thermofisher.com

1**General notes****1.1 Data of the MSC-Advantage and the documentation****Device identification**

Device Name:	Biological Safety Cabinet
Model:	MSC-Advantage™
Model lines:	0.9, 1.2, 1.5, 1.8
Model 1.2.from serial devices:	41070608
Model 1.8.from serial devices:	41070639

Assignment of the product documentation

User manual:	501268856
Availability:	04.2011

Certification and Quality Audit:

Conformity:	CE conformity marking
-------------	-----------------------

1.2 Instruction of the operating personnel

These operating instructions describe the biological safety cabinet

- MSC Advantage

and apply to the models MSC 0.9, 1.2, 1.5, 1.8.

The biological safety cabinet has been manufactured in keeping with the latest technological developments and has been tested before delivery for its correct function. It may, however, present potential hazards if it is not used according to the intended purpose or outside of operating parameters. Therefore, the following procedures must always be observed to prevent accidents:

- The biological safety cabinet must be operated only by trained and authorized personnel.
- For any operation of this device, the operator must prepare clear and concise written instructions in the language of the operating and cleaning personnel based on these operating instructions, applicable safety data sheets, plant hygiene guidelines, and technical regulations, in particular:
 - which decontamination measures are to be applied for the cabinet and accessories,
 - which protective measures apply while specific agents are used,
 - which measures are to be taken in the case of an accident.
- Repairs to the device must be carried out only by trained and authorized expert personnel.

1.3 Applicability of the instructions

- The contents of the operating instructions are subject to change without further notice.
- Concerning translations into foreign languages, the German version of these operating instructions is binding.
- Keep these operating instructions close to the device so that safety instructions and important information are always accessible.
- Should you encounter problems that are not detailed adequately in these operating instructions, please contact Thermo Fisher Scientific immediately for your own safety.

1**General notes****1.4 Warranty**

Thermo Fisher Scientific warrants the operational safety and functions of the biological safety cabinet only under the condition that:

- the device is operated and serviced exclusively in accordance with its intended purpose and as described in these operating instructions,
- the device is not modified,
- only original spare parts and accessories that have been approved by Thermo Fisher Scientific are used,
- inspections and maintenance are performed at the specified intervals,
- an installation test is performed prior to the initial operation of the device and that a repeat test is performed on the occasion of all inspections and repairs.

The warranty is valid from the date of delivery of the device to the operator.

1.5 Standards and safety regulations

The device complies with the safety requirements of the following standards and directives:

- EN 12469
- NF 095 Rev3.2006 / NF - Postes de Sécurité Microbiologique
- IEC 61010-1
- EN 61010-1
- EN 12469
- DIN EN 61326-1
- Low Voltage Directive 2006/95 EG
- EMC Directive 2004/108 EG

For the setting-up and installation of the biological safety cabinet the respective national regulations must be observed.

1

General notes

1.6 Explanation of symbols

1.6.1 Symbols used in the operating instructions



WARNING!

is used if non-observance may cause serious or even lethal injuries.



CAUTION!

is used if non-observance may cause medium to minor injuries or damage.



NOTE!

is used for hints and useful information.



RECYCLING!

Valuable raw materials can be reused.



Warning against electric shock.

1

General notes

1.6.2 Symbols on the device



Observe operating instructions (switchbox ceiling)



Warning against hand injuries (device side walls)



Biohazard (left front section of device)



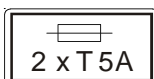
CE Conformity declaration



Checked safety (cover light dome)



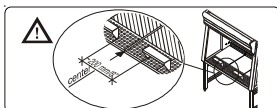
Norme Française / NF - Postes de Sécurité Microbiologique



T5A note (sample chamber fusing)



RS 232 interface (top side of plenum panel)



Installation of the armrests (right side of the light hood)

1**General notes****1.7 Use of the device****1.7.1 Correct use**

The Biological Safety Cabinet is a laboratory device for installation and operation in microbiological and biotechnical laboratories of safety levels 1, 2, and 3. It has been designed as a Class II microbiological biological safety cabinet, in accordance with EN 12469.

Depending on the hazard level of the agents involved, the operator must prepare in writing appropriate decontamination procedures for the device and the accessories used in the sample chamber.

Prior to the initial operation of the cabinet, the operator must perform an installation test. The test result must be documented by a test report. The cabinet must only be released for operation if it is in compliance with the operating parameters specified by Thermo Fisher Scientific.

After any changes to the installation conditions and after any modification to the technical system, a repeat test must be performed and the test result must be documented by a test report that shows that all operating parameters are in compliance with those specified by Thermo Fisher Scientific.

1.7.2 Incorrect use

The biological safety cabinet must not be used in laboratories that do not comply with the requirements of safety levels 1, 2 or 3.

The device must not be operated as a Class II biological safety cabinet if:

- no repeat test is performed after changes to the installation conditions or after modifications to the technical system,
- the alarm system of the device has issued a failure message and the cause for the failure has not been repaired.

The alarm system must not be tampered with or disabled. If alarm system components have been removed or disabled for service or repairs, the device must only be released for operation if all alarm system components are functioning properly again.

The filters installed in the device are not capable of separating gaseous substances. Therefore, never store or process gases or gas-releasing substances in the device:

- which in quantity or concentration are toxic,
- if a reaction with other substances may result in hazardous toxic concentrations or formation of toxic gases,
- that may form combustible or explosive mixtures in combination with air.

2**Delivery****2.1 Scope of delivery**

Delivery for the biological safety cabinet includes the following:

- biological safety cabinet (without stand)
- armrests
- device documentation:
 - operating instructions
 - factory test report

Optional components and accessories are listed as separate items in the delivery document.

2.2 Acceptance inspection

After the device has been delivered, immediately check the device:

- for completeness,
- for possible damage.

If the delivery is incomplete or if you detect any transport damage to the device, contact the forwarding agency and Thermo Fisher Scientific immediately.

2.3 Transport security lock and device packaging

A transport security lock protects the device counterweight during transport. Protective packagings protect the floorpan, the front window, and the workplate segments. To remove the transport security lock and the protective packagings, please refer to the enclosed installation instructions and to Sections 5.2 and 5.3 of these instructions.

3 Installation

3.1 Ambient conditions

The operational safety and correct function of the device depends on the location where it is to be operated. The biological safety cabinet must be operated only at locations that meet the ambient conditions listed below.

Location requirements:

- The electrical system of the device has been designed for an operating height of up to 2000 m above sea level.
- The mains power supply outlet should be out of casual reach to prevent accidental shut-off. Ideally, the outlet should be installed above the safety cabinet.
The outlet must be accessible to authorized personnel only. It constitutes, together with the power cable plug, the disconnection device for all poles.
- The flooring of the location must be adequately strong and not flammable.
- The stand must ensure a sufficient load-bearing capacity (twice the device weight).
- The room in which the device is installed must be of adequate height. For devices that are not connected to an exhaust system, the distance between the exhaust air opening at the device ceiling and the room ceiling must be at least 200 mm (8 in).
- The location must be equipped with an appropriate ventilation system (see Section 3.2.).
- For the valves may be installed a lateral distance of at least 300 mm is required to ensure accessibility for the installation, see Chapter 4.6
- The temperature within the room must be between 15 °C and 40 °C (49 °F and 104 °F).
- The relative humidity in the vicinity of the device must not exceed 90 %.

 **NOTE - Ambient conditions!**

If ambient conditions vary from those described above, please contact Thermo Fisher Scientific for assistance in installing the device.

 **NOTE - Temporary storage!**

If the device is stored only temporarily (up to four weeks), the ambient temperature may be between -20 °C and +60 °C (-4 °F and +140 °F) at a relative air humidity of up to 90 %. For longer storage periods, the location requirements apply.

3

Installation

3.2 Room ventilation

The room ventilation should preferably be a ventilation system that complies with the national requirements for the application.

- The inlet air and exhaust air openings of the room ventilation must be located so that drafts are prevented from impairing the function of the safety cabinet air system.

Coupling to laboratory exhaust systems

Coupling biological safety cabinets to a laboratory exhaust system, air that spills of biological agents must be discharged to prevent inflow to the installation space. The ventilation system of the biological safety cabinet itself are not to be influenced. If a coupling to a laboratory exhaust system is installed, it must be ensured that no harmful air flow is created in the installation space. The volume of air discharged by the exhaust system must be tracked accordingly into the installation space. It should be noted, that the equipment air flow itself is not affected.

The on site exhaust system should be dimensioned, so the air velocity scale in the draft interruptor and exhaust air plenum is sufficient, that the equipment exhaust air has no air resistance.

In states, where the coupling to a laboratory exhaust system is regulated by further provisions, the relevant national regulations must be observed.



CAUTION – Installation test!

During the initial start-up of the biological safety cabinet an initial installation test must be performed.

The installation location of the biological safety cabinet with connection to a technical ventilation or with a coupling to laboratory exhaust system and additional installed exhaust accessories are not to be changed.

Every modification of the installation location requires a new installation test (see chapter 5.6)!

3 Installation

3.3 Correct location

Choose a draft-free location where the biological safety cabinet does not interfere with the plant traffic.

Fig. 1: This figure shows preferred locations for biological safety cabinets and unsuitable locations that are not in accordance with the safety requirements.

Unsuitable locations: The locations [1], [2], and [3] are not suitable because they are exposed to drafts from windows and doors.

Location [5] is unsuitable because it is within range of plant traffic and within the exhaust air range of a ventilation system [4].

Preferred locations: The locations [6], [7], and [8] are correct because they are in a draft-free section of the room and not exposed to plant traffic.

A counterweight at the device backpanel moves synchronously with the vertical movement of the front window. To prevent the counterweight from jamming, the device backpanel should be as close to the wall as possible.

3.4 Installation in series

When several devices are to be installed in series, please observe the following:

- Make sure that vibrations cannot be transferred between adjacent devices.
- Exterior surfaces of the cabinets must always be accessible for cleaning and disinfection.

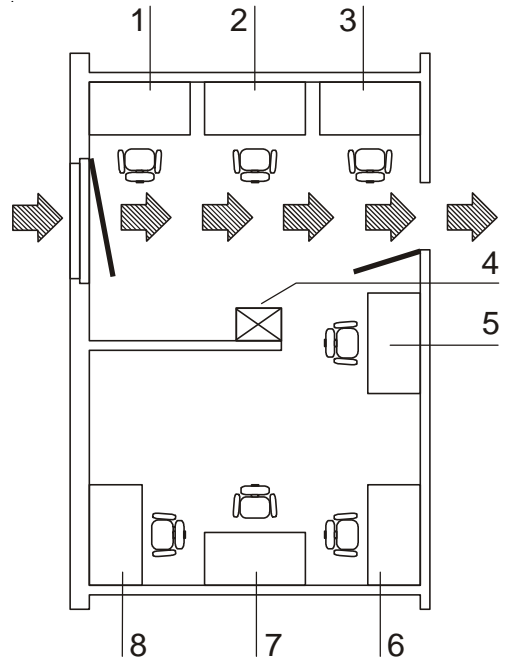


Fig. 1
Device arrangement in the operating room

3.5 Transport

Fig. 2: To prevent tilting, always transport the device using a suitable carrier, even for a transport within a building, and separate it from the stand (see Section 5.2).



CAUTION – Tilting danger!

If the unit is tilted too much during lifting, risk of tipping exists. Lift the biological safety cabinet only vertically!

For transportation (including inside buildings) use an appropriate lifting device, which ensures that the unit:

- is on a stable stand and
- is secured against lateral tilting.

Do not transport the biological safety cabinet on a base with roles.



CAUTION – Lift points!

For transport, lift the device only at the lift points shown in Figure 2.

Do not allow the weight of the cabinet to rest on the floorpan!



CAUTION – Crushing hazard!

The weight of the front window is counterbalanced by the counterweight (at the rear of the device).

The device must not be transported unless the counterweight has been locked.

- Install the four lockscrews (see Section 5.3).

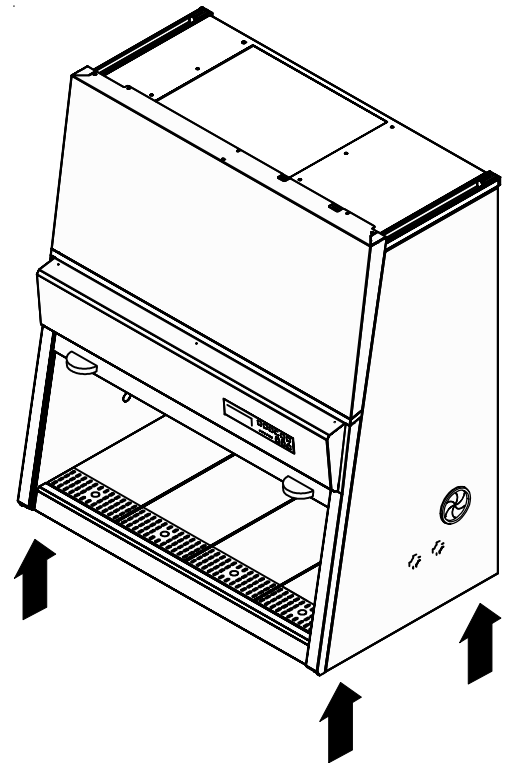


Fig. 2
Lift points

4**Description of the device****4.1 Overall view**

- **Fig. 3:** Plenum assembly [3] with plenum for downflow blower [19] and plenum for exhaust air blower [20]. The downflow filter and the exhaust air filter are installed immediately to the pertaining plenum. The exhaust air is discharged to the exterior of the device through an opening.
The plenum assembly is concealed behind a cover [18].
- Switchbox [2] with power supply unit and power supply cable [1]. The top of the device contains an RS 232 connection [23] for a PC and two fuse holders [22].
- Light dome [4] for the sample chamber illumination unit, equipped with one fluorescent tube (model MSC 1.2) or two fluorescent tubes (model MSC 0.9, 1.5, 1.8).
The optional, device-integral UV lamp is installed to the ceiling at the front section of the sample chamber.
- Operating panel [5] with function keys and indicators.
- Front window [7] with two handles [6].
- Bushings [8] and [9] in the side panels (3 on each side). The bushings [9] can be used to install media valves [11], the bushings [8] of type SmartPort are provided for laying cables or hoses into the utility chamber.
- Stand [10] (optional).
- Workplate segments [13] with 2 armrests [14]. A one-piece workplate and special workplates are available as optional accessories.
- Internal outlets [15] for the power supply of accessories (optionally, one of the outlets can be equipped with an adapter [17] for mobile UV devices).
- Test hoses for the downflow unit [16] at the left side of the sample chamber and for the exhaust air unit [12] at the right side of the sample chamber.

**NOTE – Test hoses!**

Do not remove the caps of the two test hoses for checking downflow and exhaust air.

4 Description of the device

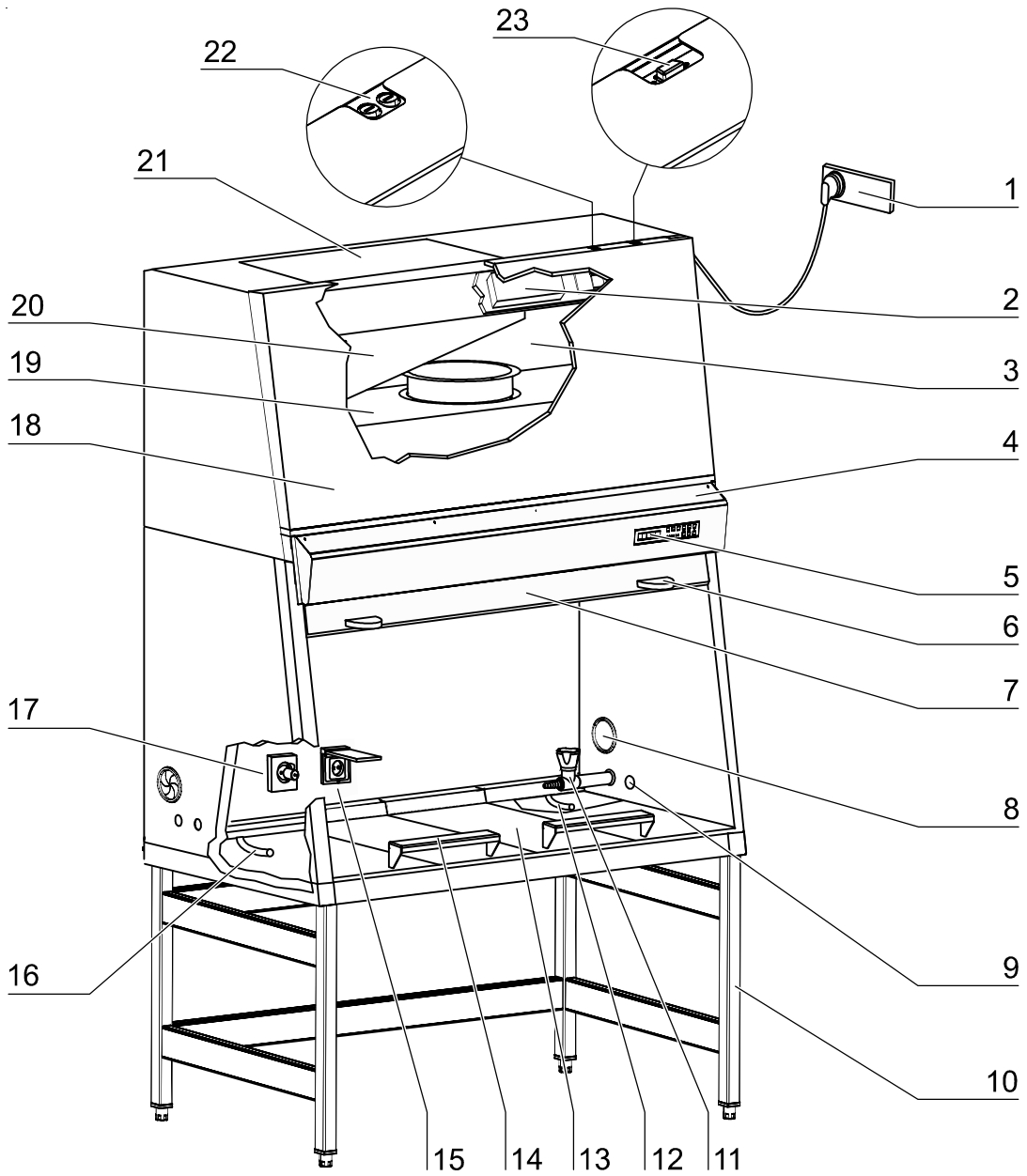


Fig. 3
Overall view

4

Description of the device

4.2 Safety system

The safety system comprises a combination of protective and alarm systems that ensure maximum personal and material protection.

Safety systems:

- **Vacuum-sealed air system**

A vacuum-sealed air system in combination with HEPA filters for downflow and exhaust air forms the basis of the safety system for personal and material protection.

- **Personal protection**

Air aspirated from the exterior along the entire working opening at a constant high velocity prevents:

- agents leaking through the working opening of the chamber.

As the exterior air pressure around the device exceeds the pressure of the internal air system (vacuum sealing), it ensures:

- agents cannot be released to the exterior in the case of a leak in the cabinet housing.

- **Material protection**

A steady airflow within the air system ensures:

- a constant downflow allowing the HEPA filters to remove contaminants so that the samples are always surrounded by ultrapure air,
- harmful particles are not carried over through the sample chamber (protection from cross-contamination).

- **HEPA filters**

The downflow (i.e. the air circulating within the device) and the exhaust air (air that is released to the exterior) are cleaned by HEPA filters (HEPA = High Efficiency Particulate Air Filter).

- **Safety lockout**

To protect from UV radiation, the optional UV disinfection routine can be run only if the front opening is closed. During UV disinfection, the front opening safety lockout is activated and prevents harmful UV radiation from being emitted from the sample chamber.

Circuits can be driven via potential-free contacts (monitor contacts), e.g. a solenoid that switches automatically upon cancellation of the work mode.

Warning system:

- **Airflow monitoring**

Airflow monitoring determines the velocity of the airflow in the sample chamber as well as the inflow velocity of the air aspirated from the exterior through the working opening. As soon as airflow velocities move above or below a specified safety value, a signal is transmitted to the alarm system.

- **Visual and audible alarm system**

The warning system constantly monitors the safety-relevant device functions:

- Inflow velocity of the air aspirated from the exterior,
- downflow velocity,
- work position of the front window.

If the warning system detects changes to one of these device functions, it issues:

- an audible and a visual alarm signal.

4

Description of the device

- **Position monitoring**
The position sensors detect the opening state of the front window and indicate whether the window is open or closed in the work position.
- **SmartFlow Indicator display**
The SmartFlow Indicator displays the compensation capability of the exhaust control, if the window is in working position and blower on.

4.3 Filter system

Fig. 4: The filter system consists of two HEPA filters [5] and [2] for the device downflow and exhaust air.

HEPA filters: Room air [10] is drawn into the sample chamber through the working opening. In the air duct, room air and the downflow within the chamber [7] are then blended to make up the blend air [8]. The blend air is then:

- filtered proportionally by the downflow filter [5] and supplied as ultrapure air [6] evenly into the sample chamber of the device,
- filtered by the exhaust air filter [2] and released as ultrapure air [1] to the exterior of the device.

Inlet air protection: Multi-segment protective grids [9] are installed below the work surface in the air duct between sample chamber and device plenum. The grids prevent coarse particles from entering the plenum where they might impair the function of the blowers [3] [4] and of the filters [2] [5]. The grids can be removed for cleaning.

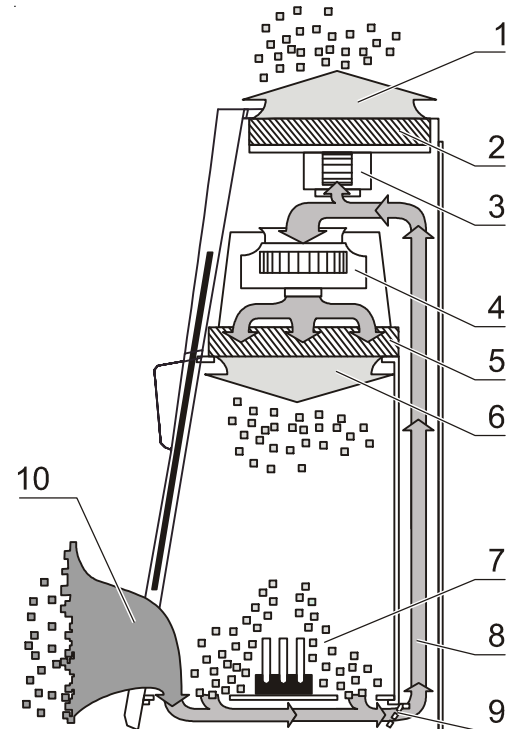


Fig. 4
Filter system with downflow
and exhaust air filter

4 Description of the device

4.4 Operating and display elements

Fig. 5: The biological safety cabinet is operated using an operating panel consisting of keys, function indicators and a display.

[A] The display with its 5-digit indicator panel shows the following information, regardless of the activated operating function:

- normal operation: operating hours of the device,
- safe work mode: downflow and exhaust air velocities,
- calibration routine: status of the calibration function,
- device-controlled UV disinfection (optional): remaining disinfection time.

Values are output as integers.

[B] Keys for switching operational functions on or off,

[C] Status indicators show the operational status of:

- front window work position,
- airflow,
- reduced blower speed,
- SmartFlow Indicator

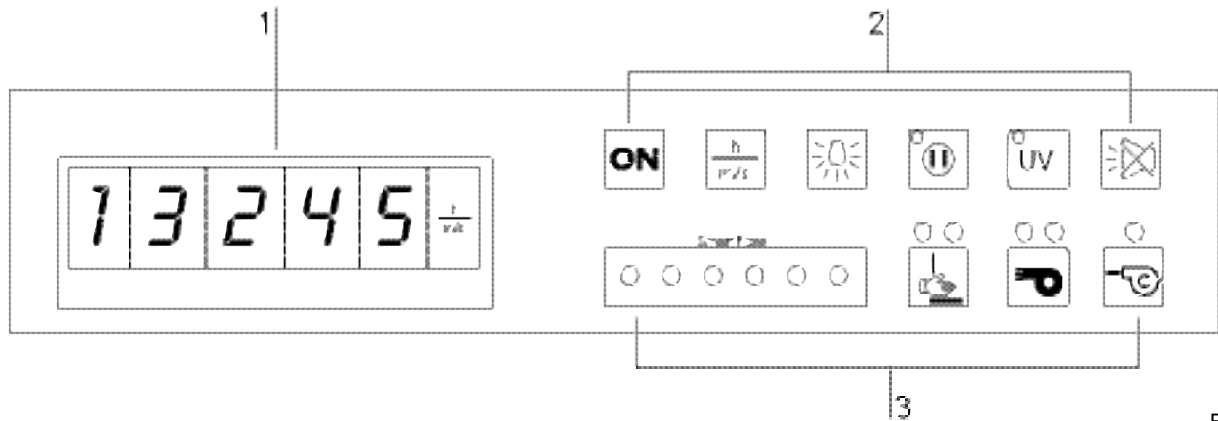


Fig. 5
Operating and display
elements

4 Description of the device

4.5 Sample chamber access

Fig. 6: The manually movable front window [1] made of multi-layer security glass seals the safety sample chamber front side up. The sample chamber is accessible through various positions of the front window.

For operation:

- Work position with opening height **A** for access to the sample chamber during the work process,
- maximal opening height **B** for loading the sample chamber,
- position **C** (closed state): closed front window and reduced blower speed.



NOTE – Status indicator!

The two positions A and C are determined by switches and output as status indicators on the display (see Section 6.1.1).

For cleaning / maintenance:

- SmartClean window cleaning position with opening height **D** for cleaning and disinfecting the upper section of the front window. For this purpose, the front window can be lowered beyond closed position **C** so that a sufficiently high gap exists between the sample chamber ceiling and the front window upper edge. This gap can be also used for replacing the sample chamber illumination lamps.



CAUTION – Front window jamming!

Do not use force to move the front window. If the window is jammed or sluggish, contact Technical Service immediately. Do not attempt to repair this problem!

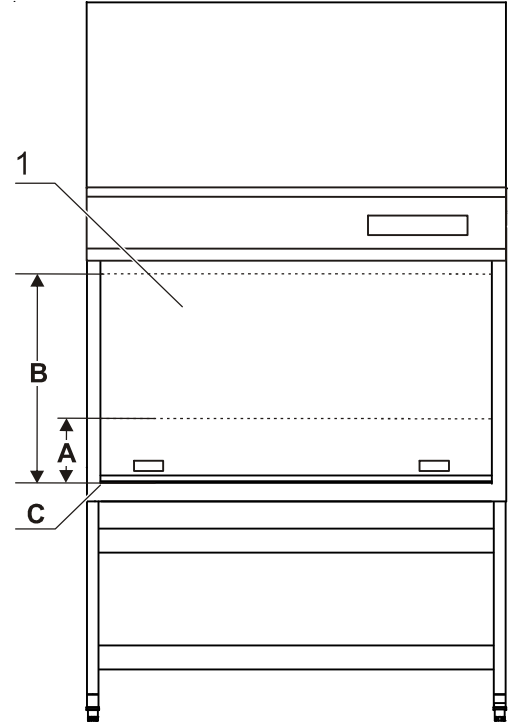


Fig. 6
Sample chamber opening

4 Description of the device

4.6 Device interfaces

Fig. 7: The standard equipment includes:

- outlets for internal/external power supply,
- bushings on both sides for cables, media valves, and hoses,
- a communication port,
- a connection to external alarm systems.

Power supply connection: The connection to the power supply system is established via a cable with grounding plug [4] at the upper side of the device.

Device-integral power supply: The backpanel contains outlets [10] for the power supply (overall maximal current: 5 A) of internal accessories.

- 2 outlets (model MSC 0.9, 1.2)
- 4 outlets (model MSC 1.5, 1.8)

Optionally, an outlet can be replaced with a disinfection adapter [9] for the connection of a mobile UV device.

Two fuse holders for 5 A miniature fuses at the top of the front cover protect the device-integral power supply: [1] for (L), [2] for (N).

Communication port: The top of the device side contains an RS232 connection [3] for a PC.

Bushings: The standard fittings are 3 bushings per side panel.

SmartPort [6] is provided to lead through cables or hoses for accessories required in the utility chamber. To this end, the rubber grommet [5] is punched out in the exact opening size to avoid possible contamination.

Media valves [8] are installed solely in the bushings [7].

Media valves suitable for installing in bushings can be supplied as an option. Upon delivery of the device, the bushings are sealed.

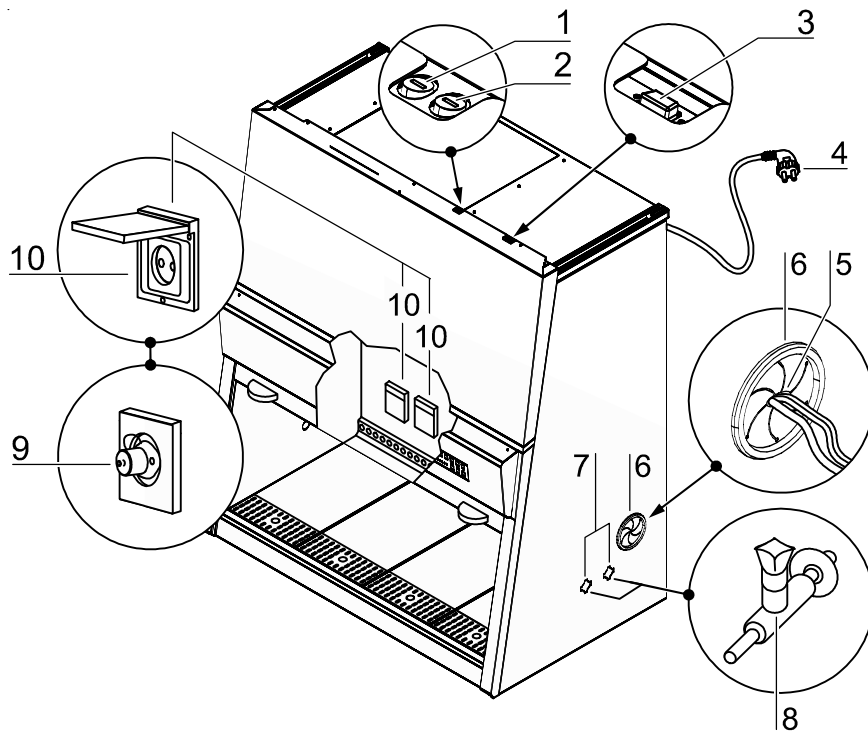


Fig. 7
Supply interfaces

4

Description of the device



CAUTION – Unstable underpressure!

Do not switch the unit off as long as cables/hoses are laid through the bushings. If breached bushings are not used in operation, new covers must be inserted in the openings to ensure stable underpressure in the utility chamber (see Chap. 10.4).



CAUTION – Combustible gas!

If a gas burner is to be operated in the sample chamber, an appropriate shut-off device for the gas supply system (shut-off valve, solenoid valve) must be installed. To ensure a safe distance to the recirculation filter the laboratory safety burner are to be placed at the working surface and not at an elevated position. Use only laboratory safety burners in the sample chamber.

Potential equalization: To avoid static charges and the associated risks, if necessary, intended supply connections and the device itself should be integrated in the on-site potential equalization. For this purpose, the potential equalization connection on the stand can be used. The installation of utility connections to the built-in fittings must be made with consideration to the current national technical rules.

External alarm systems: This alarm contact can be used for two different external alarm systems:

- Potential-free contact (valve) for driving external exhaust air systems (technical ventilation),
- Potential-free contact (monitor alarm) for the connection to an external alarm system (failure reporting system) or gas supply solenoids.



CAUTION – High voltage!

The contact with live parts may result to a lethal electrical shock. During work on electrical equipment shut of the device and all poles disconnected. Repairs to the device must be carried out only by trained and authorized expert personnel.

4 Description of the device

4.7 Sample chamber illumination

Fig. 8: The sample chamber illumination unit [2]:

- one fluorescent tube for model MSC 1.2,
- two fluorescent tubes for model MSC 0.9, 1.5, 1.8,

is installed behind the light dome [3].

4.8 UV lamp unit

Fig. 8: The optional, device-integral UV lamp [1] is installed to the ceiling at the front section of the sample chamber. The operating time of the UV lamp is preset. The UV disinfection routine can be started by depressing a key on the operating panel.

 **NOTE – Protection from UV radiation!**

To protect from UV radiation, the UV lamp can be activated only when the front window is completely closed. When the front window is opened, the UV disinfection routine is cancelled immediately.

4.9 Working area

The standard equipment comprises the segmented workplate. The workplate segments are placed onto the frame above the sample chamber floorpan.

 **NOTE – Workplate condition**

Use properly plane lying workplates only. Replace deformed workplates. Pay attention to the maximum work load (see section 12)!.

Fig. 9: The working area **A** for optimal product protection extends over the entire width **B** and depth **C** of the workplate [1]. The two armrests [3] are positioned centrally to the working area at distance **D** (20 cm) from each other. For attachment, each armrest is inserted into the first perforation track [2] of the workplate.

 **NOTE – Using the armrests**

Safe working in the work mode of the device (see section 6.3) is ensured only if the armrests are used correctly!

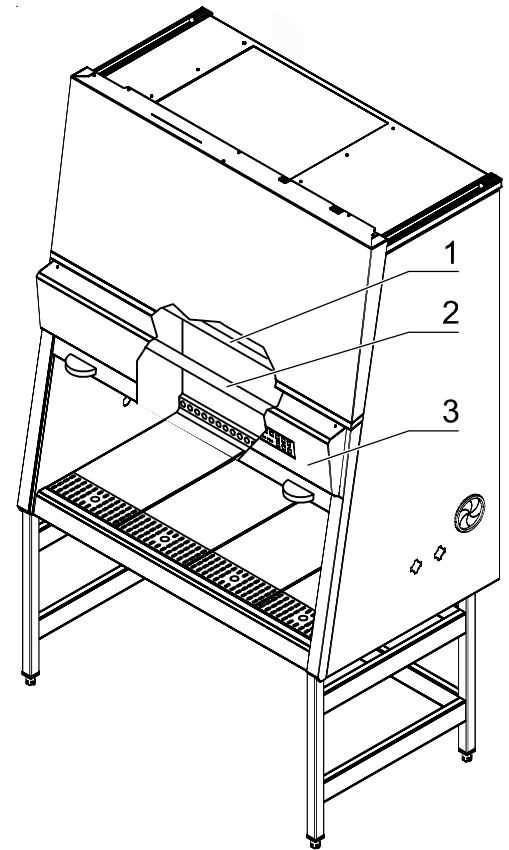


Fig.8
UV lamp unit

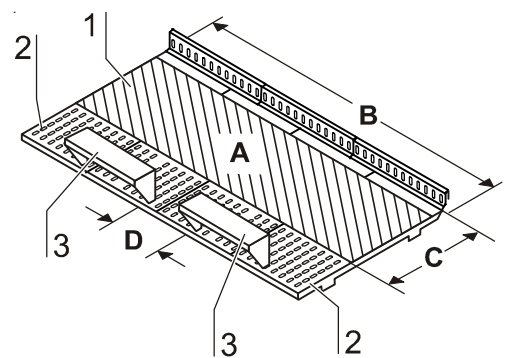


Fig.9
Working area on the workplate,
armrests

5

Start-up

5.1 Initial operation

Prior to the initial operation, the biological safety cabinet must be subjected to an installation test. Correct assembly and installation performed by the operator are essential for good start-up.

Upon the initial connection to the power supply system, the device control starts an automatic calibration routine to determine the parameters for the safety system of the device.

 **NOTE – Calibration routine!**

The calibration routine is no substitute for the installation check performed by the service personnel.

5.2 Installing the device and accessories

Device without stand:

- Place the device without stand onto a sufficiently stable substructure so that the weight of the device frame does not rest upon the floorpan.
- Remove the protective foil from the floorpan.

Device with stand:

Assemble the stand (accessory) and install the device frame onto the stand:

1. **Fig. 10:** Slide the two crossmembers [2] onto the retaining angles [3] of the side panels [1], then secure the crossmembers to the side panels using the screws with wedge lock washers [4].
2. To install the device frame [5] to the stand [7], insert four Allen screws with wedge lock washers [6] loosely into the threaded holes at the bottom of the device.
3. Place the biological safety cabinet onto the stand so that the Allen screws with wedge lock washers [6] are routed through the holes [8] of the retaining tabs [10].
4. Slide the device frame [5] into the retaining tab grooves [9] all the way to the stop.
5. Tighten the four Allen screws with wedge lock washers [6].

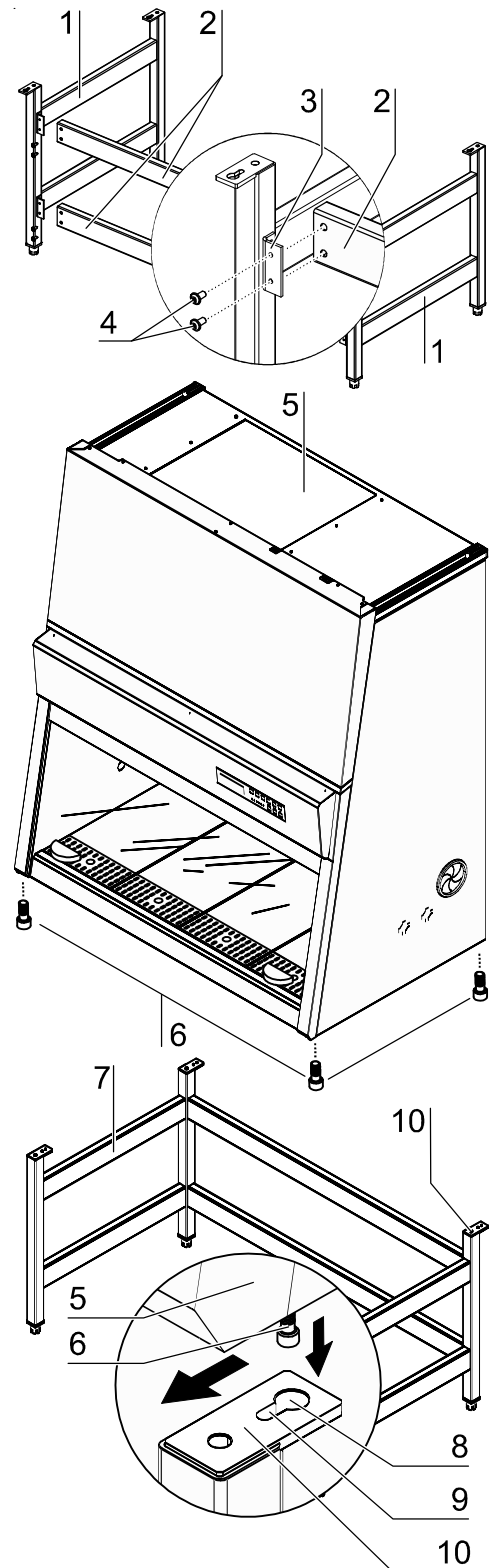


Fig. 10
Stand installation

5 Start-up

5.3 Unlocking the transport protection

Fig. 11: The front window counterweight [1] is secured to the device backpanel to protect it from transport damage.



CAUTION – Unlocking the counterweight!

The counterweight at the device backpanel compensates for the weight of the front window.

The front window must not be moved unless:

- the counterweight has been unlocked so that it can move freely,
- the protective packaging has been removed from the front window,
- the device frame has been installed safely on a sufficiently stable substructure or onto a stand.

Crushing hazard - after unlocking, keep hands and fingers away from the motion range of the counterweight!

To unlock the transport protection:

- Remove the four retaining screws (position: see arrows).
- Keep the counterweight retaining screws for later transports.

5.4 Levelling the cabinet

The cabinet should be levelled only after it has been positioned.

1. Remove transport protection (vinyl) from the workplate or from the workplate.
2. Place the workplate onto the front and rear support rails in the sample chamber with the wide perforated track facing the front window.
3. **Devices without stand:** Place a bubble level onto the workplate (segments) and align the stand until the level indicates an absolutely horizontal position in all directions.
4. **Devices with optional stand:** Place a bubble level onto the workplate and adjust the four stands until the level indicates an absolutely horizontal position in all directions. Proceed the elevating adjustment from right to left and from rear to front.

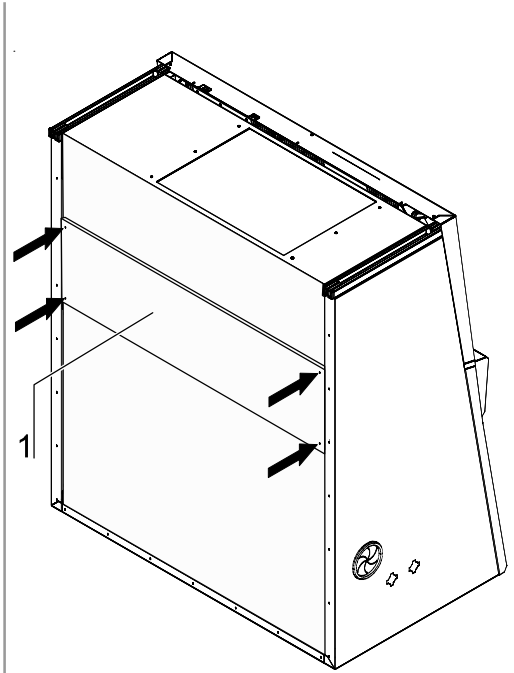


Fig. 11
Unlocking the transport protection

5

Start-up

5.5 Power supply connection



WARNING – High voltage!



Contact with current-carrying components may cause a lethal electric shock.

Before connecting the device to the power supply system, check plug and power supply cable for possible damage.

Do not use damaged components to connect the device to the power supply system!

Establishing the power supply connection:

1. Before connecting the device to the power supply system, check to see if the voltage of the outlet corresponds with the specifications on the nameplate of the device. If the ratings given for voltage (V) and maximum current (A) do not match, the device must not be connected to the power supply system.
2. Connect the grounding plug of the device to a properly grounded and fused outlet.
 - The outlet must be fused separately using a fusible link T 16 A or using a circuit breaker B 16.
3. Make sure that the power cable is routed away from the counterweight and cable guide. For this purpose, the power cable can be secured to the device ceiling using the enclosed adhesive bases and cable ties (see installation instructions).
4. Make sure that the power supply line is not subjected to tensile or compressive force.

Installation of the power supply connection:

To protect from accidental switch-off, the power supply outlets should be located out of casual reach and must be accessible only to authorized persons. Ideally, the outlet should be located above the biological safety cabinet.

The power supply cable plug is the interruption device in all poles.

Connecting the equipotential bonding:

If the device sample chamber is supplied with media (gas, water, etc.), the on-site equipotential bonding must be connected to the main ground of the device (see service instructions).

Initialization routine:

Upon connection to the power supply system, the device control passes through an initialization routine and switches the device to OFF mode (the right indicator segment of the display shows a dot to indicate that voltage is present).

The biological safety cabinet is now ready for operation and can be operated using the keys.

Initial start-up:

After the initialization routine, the calibration routine is started after the first connection to the power supply system:

- The display alternatingly shows "CAL" and the remaining routine time. The entire calibration run takes approximately 30 minutes.

5**Start-up**

- The routine starts automatically when the front window is in the work position and if the air flows freely and steadily. If the airflow is disturbed during this run time, the process is cancelled and the calibration routine is restarted.
- To complete the routine, the determined parameters for safe operation and the alarm limits are stored automatically.

**NOTE – Initial operation!**

According to applicable national standards and regulations, the calibration routine is no substitute for a start-up performed by an authorized service technician.

5

Start-up

5.6 Installation test

Do not operate the device before an initial operation with installation test has been performed after the final installation of the device.

- The installation test must be performed in accordance with the specifications of EN 12469 / 2000. The cabinet may be operated as a Class II microbiological biological safety cabinet, in accordance with EN 12469 / 2000, if the device functions or function patterns listed below were checked and if the test results are within the safety value tolerances specified by the manufacturer in Annex F:
 - Electrical safety test
 - Inflow velocity test
 - Downflow velocity test
 - HEPA filter leakage test
 - Airflow control test
- A repeat test must also be performed after repairs to the device or after considerable changes (more than 5 cm) to the location of the device.
- The operator must prepare a test report or request a written test report from the authorized test service.



NOTE – Safety warranty!

The operational safety of the device, particularly the personal and material protection, are guaranteed only if all safety functions of the device have been tested and approved. Thermo Fisher Scientific will not warrant the operational safety if the device is operated without performance of the required installation test or if the installation test and repeat test are not performed by adequately trained and authorized personnel!



NOTE – Device hygiene!

The initial operation with subsequent installation test does not include any decontamination measures. For operation in the work process, the sample chamber of the device and the accessories required for the work process must be disinfected and cleaned in accordance with the hygiene guidelines set forth for the application.

6 Handling and control

6.1 Operating panel

Fig. 12: The operating panel is the major display and operating element and has been divided into three functional units:

- Display [1], keys [2] - [7], status indicators [8] - [18]

6.1.1 Functional units

Display, Fig. 12:

[1] Display for numbers and text:

- normal operation: operating hours of the device,
- safe work mode: downflow and exhaust air velocities,
- calibration routine: status of the calibration function,
- device-controlled UV disinfection (optional): remaining disinfection time.

Keys, Fig.12:

The keys are used for enabling / disabling device functions:

- [2] Key for switching the device on / off (switch-off only in standby mode, see Section 6.3).
- [3] Operating data key with dual function:
 - Indicating operating data:
Press the key to switch between the data: Operating hours, downflow and exhaust air velocities in the safe work mode.
 - Enabling (I) / disabling (0) the alarm acknowledge function:
In the OFF mode, keep the key depressed for approx 5 second. The display momentarily shows the operating hours, then the switching state:
I = alarm acknowledge function enabled
0 = alarm acknowledge function disabled
Within the scope of the EU (EN12469:2000), the alarm acknowledge function is disabled upon delivery of the device.
- [4] Key for switching the sample chamber illumination on and off.
- [5] Key for switching the power supply of device-integral outlets on and off (the LED indicates that voltage is present).
- [6] Key for switching UV disinfection on and off (the yellow LED indicates that the UV disinfection routine has been activated; if the optional UV lamp is not installed, this key has no function).
- [7] Key for acknowledging the audible alarm.

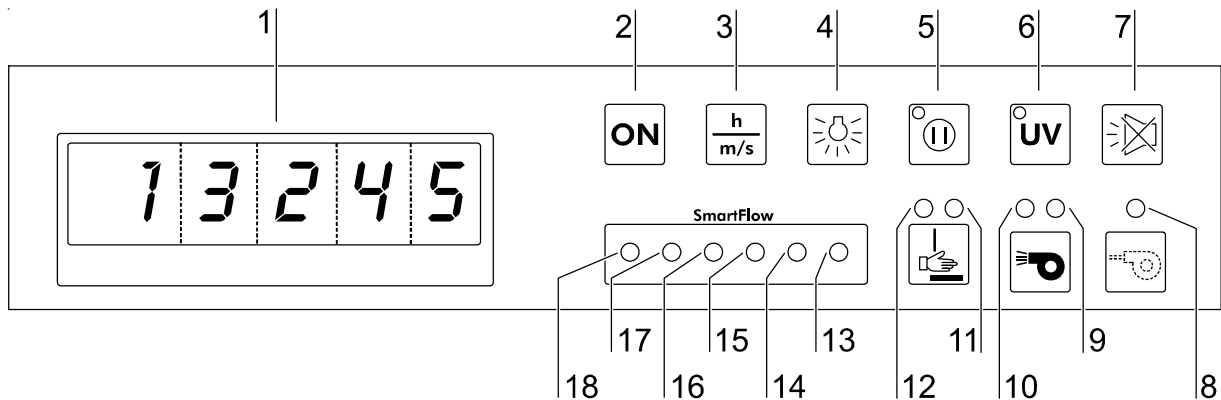


Fig. 12
Operating panel

50128856_04.2011

6

Handling and control

Status indicators, Fig. 12:

- [8] The air system is operated at reduced capacity (the yellow LED is illuminated),
- [9] Airflow **is not** steady (the red LED is illuminated),
- [10] Airflow **is** steady (the green LED is illuminated),
- [11] Front window **is not** in work position (the red LED is illuminated),
- [12] Front window **is** in work position (the green LED is illuminated).

SmartFlow display, Fig. 12:

The SmartFlow Indicator displays the compensation capability of the exhaust control, with window in working position and blower on. The LEDs that illuminate in pairs indicate the following:

- [18] green + [17] green sufficient compensation capability
- [16] yellow + [15] yellow compensation capability is depleted
- [[14] red + [13] red window outside working position or air velocity outside alarm range



NOTE – Compensation capability!

If the display is steady yellow-yellow, there is a possibility that the filters of the device are fully loaded. In this case, the technical service should be informed.

6.1.2 Display during calibration routine



NOTE – Calibration routine!

The calibration routine is started only upon the initial operation.

The routine run takes approximately 30 minutes. During this time, the display alternately shows **cal** and the remaining time. If the calibration routine cannot be started due to failures, the display shows **cal** permanently.

6.1.3 Display during UV disinfection

If a UV lamp is installed, the display alternately shows **dis** and the remaining disinfection time.

6 Handling and control

6.1.4 Failure messages

Failure messages are shown on the display as text/number combinations with the codes ER 3 to ER 7. If one of these codes appears on the display, contact Technical Service immediately.

6.2 Device start-up

- Fig. 14:** Switch the device on, keep the **ON** key [2] depressed until:
 - the blowers start (audible blower operation),
 - the status indicators (LEDs) [9] - [12] illuminate.

 **NOTE – Switch-on!**

A time delay of several seconds may occur between key actuation and device response.

- Move the front window to the work position. The correct position is reached when the green status indicator **FRONT WINDOW IS IN WORK POSITION** [12] is illuminated. The side guide rails have markings that define the lower edge of the front window; these markings can be used as an additional orientation aid.
- Wait until the green status indicator **AIRFLOW IS STEADY** [10] is illuminated.
- The device is ready for operation.

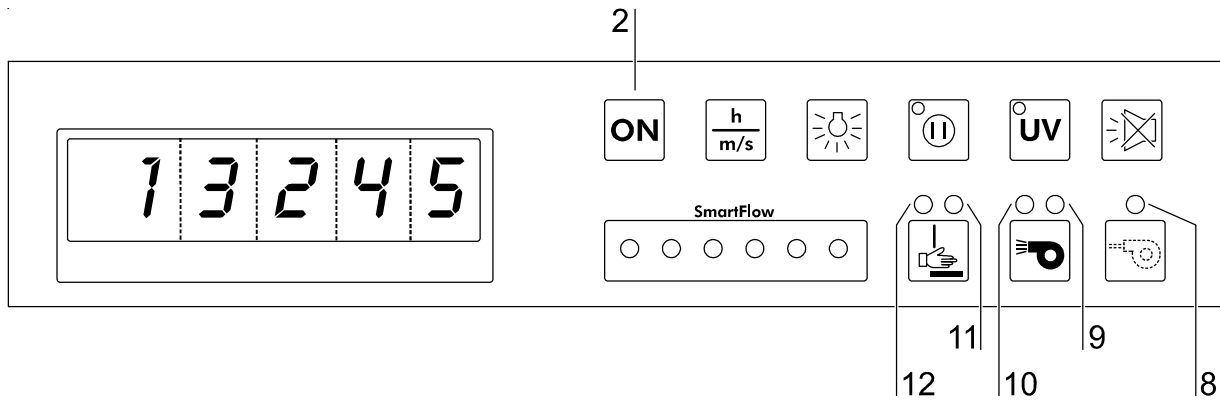


Fig. 14
Display upon start-up

6

Handling and control

6.3 Description of the operating modes

The following operating modes exist for the device:

- **Calibration mode (after initial start-up)**
- **OFF mode**
- **Window open mode**
- **Work mode**
- **Standby mode**
- **UV mode**

OFF mode: Designates the idle state of the device.

- The device is switched off (air system blowers are switched off).
- The sample chamber illumination is enabled.
- The internal power supply within the sample chamber is enabled:
 - If the internal power supply is activated, the yellow status indicator **INTERNAL POWER SUPPLY ACTIVATED** is illuminated.

Window open mode: Designates the state in which the window is open and positioned outside of the work position. To install or remove auxiliaries, the front window can be moved to the maximum opening position. For cleaning, the front window can be lowered (see also Section 4.5 / Fig. 6, P. 21).

- The air system blowers are switched on:
 - The red status indicator **AIRFLOW VOLUME STEADY** is illuminated.
- The front window is not in the work position:
 - The red status indicator **FRONT WINDOW NOT IN WORK POSITION** is illuminated.
- The sample chamber illumination is enabled.
- The internal power supply is enabled:
 - If the internal power supply is activated, the status indicator **INTERNAL POWER SUPPLY ON** is illuminated.

Work mode: Ensures personal and material protection. In this operating state, the work process is carried out in the sample chamber. Work mode is active when the front window is in the work position and the air system is operating steadily.

- The front window is in the work position:
 - The green status indicator **FRONT WINDOW IS IN WORK POSITION** is illuminated.
The markings on the side guide rails and the lower edge of the front window are at the same height.
 - No audible alarm signal.
- The air system blowers are switched on to ensure steady airflow:
 - The green status indicator **AIRFLOW STEADY** is illuminated.
- The sample chamber illumination is enabled.
- The power supply for the sample chamber outlets is enabled:
 - If the internal power supply is ON, the yellow status indicator **INTERNAL POWER SUPPLY ACTIVATED** is illuminated.
- The switching state of the potential-free contact (monitor contact) is pass (if e.g. the gas supply solenoid is driven via this contact, gas is supplied in this mode only).
- The display can show values for: operating hours, downflow velocity and exhaust air velocity.

6**Handling and control**

Standby mode: The front window can be lowered to seal the sample chamber. The air system output is reduced to match the lower air requirement.

- The front window is closed:
 - The air system operates at reduced output.
 - The red status indicator **FRONT WINDOW NOT IN WORK POSITION** is illuminated.
 - The yellow status indicator **AIRFLOW REDUCED** is illuminated.
 - The red status indicator **AIRFLOW NOT STEADY** is illuminated.
- The sample chamber illumination is enabled.
- The internal power supply in the sample chamber is enabled:
 - If the internal power supply is ON, the yellow status indicator **INTERNAL POWER SUPPLY ACTIVATED** is illuminated.
- The biological safety cabinet can be switched off (in OFF mode):
 - Keep the ON key depressed until all indicators are off.

UV mode: For running the UV disinfection routine, the front window is completely lowered to protect against UV radiation. The routine cannot be run until the front window is in the "closed" position.

- The UV disinfection routine is activated:
 - The yellow status indicator **UV DISINFECTION ROUTINE ACTIVATED** is illuminated until the preset time for the routine has elapsed. Then, the UV lamps are switched off automatically, and the status indicator is switched off.
- The sample chamber illumination is disabled.
- The internal power supply in the sample chamber is disabled.
- The integral UV lamp (optional) is enabled.
- The power supply for the UV disinfection adapter (optional) is enabled.

7

Operation

7.1 Hygiene preparations for the sample chamber

The sample chamber surfaces and the accessories required for the work process must be disinfected and cleaned in accordance with the hygiene guidelines set forth for the application.

7.2 Loading the sample chamber

Installing auxiliaries:

1. Move the front window to the maximum opening position and switch the blowers on.
2. Install auxiliaries within the workplate working range.
3. Move the front window to the work position (the green status indicator **FRONT WINDOW IN WORK POSITION** is illuminated) and wait until the airflow has stabilized (the green status indicator **AIRFLOW STEADY** is illuminated).



CAUTION – Operational safety!

The personal and material protection is ensured only if the airflow system of the device is working properly.

If the alarm system issues failure messages when the front window is in the work position, stop all applications that may release harmful aerosols!

4. Load the work surface with samples.
5. For work intermissions or for extended experimental phases without manual intervention, switch the device to standby mode.

7.3 Response to failure messages

Failure messages are displayed in form of text/number combinations with a code between ER 3 to ER 7 (see Section 6.1.4). If one of these codes is displayed, contact the Technical Service of Thermo Fisher Scientific immediately.

To isolate the cause of the failure, the operating personnel must perform only the following tests and measures:

- Check to see if the exhaust air opening on top of the cabinet is blocked.
- Ensure that the on-site exhaust air system is activated.
- Close doors and windows in the laboratory to prevent drafts.
- Switch off devices in the vicinity of the biological safety cabinet that cause air turbulence or emit excessive heat.
- Open flames in the sample chamber may impair airflow conditions.

7 Operation

7.4 Work rules

The observance of work rules ensures a minimum of operational safety when handling the biological safety cabinet.

Before starting an operation:

- Take off jewelry.
- Put on required personal protective gear, e.g. hand, face, or body protection.
- Clean and disinfect sample chamber surfaces at regular intervals.

During operation:

- Place samples only within the defined work area of the workplate.
- Do not place unnecessary items into the sample chamber.
- Use only disinfected and cleaned accessories for the work process.
- Do not cause air turbulence by quick hand, arm or body movement in the sample chamber or in front of the work opening.
- Do not place accessories into the sample chamber that cause air turbulence or emit excessive heat.
- Do not block air circulation at the ventilation slots of the workplate.

Sitting posture during work:

Fig. 15: To prevent risks to health, a height-adjustable working chair with an adjustable seat back should be used during extended work periods at the biological safety cabinet.

A When the forearm rests on the armrest, it should be in a nearly horizontal position.

B When the upper leg is in a horizontal position, the angle between upper and lower leg should exceed 90°.

To ensure a compensation between floor and sitting height, a footrest (DIN 4556) should be used. The minimal effective surface of the footrest should be 45 x 35 cm.

C The slope should be adjustable within a range of 5° to 15°.

D The adjustable height should extend to a minimum of 11 cm above the floor.

After finishing an operation:

- Remove samples from the sample chamber and store them properly.
- Clean and disinfect the sample chamber surfaces, including the workplate and the floorpan. Clean and disinfect all accessories.

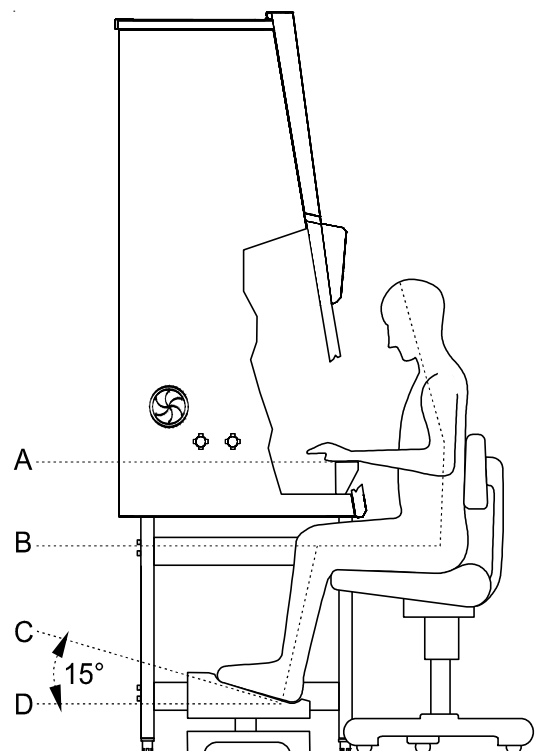


Fig. 15
Sitting posture

8**Shut-down****8.1 Interrupting an operation**

To interrupt a work process:

1. Remove all samples from the biological safety cabinet and store them properly.
2. Remove accessories from the sample chamber and clean and disinfect them.
3. Clean and disinfect the sample chamber surfaces, the workplate, and the floorpan.
4. Switch the device to standby mode: Close the front window and keep the ON key depressed until the indicators are off (the right indicator segment of the display shows a dot to indicate that voltage is present).



NOTE – Blower switch-off!

For safety reasons, the blowers can be switched off only when the front window is closed.

8.2 Shutting the device down

If the device is not to be used or stored for an extended period of time, it must be completely decontaminated.



WARNING – Decontamination measures!

To shut the device down, the sample chamber must be disinfected completely and the plenum, including the filters, must be sterilized using formaldehyde.

1. After the device has been decontaminated, close the front window completely.
2. Disconnect the device from the power supply system.

9**Cleaning and decontamination****9.1 Decontamination procedure**

Several procedures can be applied for decontaminating the biological safety cabinet.

Which procedure is selected, depends on:

- the potential risk imminent in the agents,
- the degree of purity required by an experiment or by a work process.

Possible decontamination procedures:

Wipe/spray disinfection: is the standard disinfection procedure for cabinets used for microbiological experiments.

UV disinfection: is particularly suited as an intensifying additional disinfection after a wipe/spray disinfection.

Sterilization with steam: can be used for treating the removable stainless steel components. Examples of autoclavable components are the bezels of the UV lamps, the workplate or workplate segments, the armrests and the protective grid (see Section 9.6 / 9.7).

Disinfection with formaldehyde: can be performed if a sterile sample chamber is required for the work process. This sterilization procedure is mandatory:

- when filters are replaced,
- when the device is shut down,
- when the device is discarded.

9.2 Wipe/spray disinfection

The wipe/spray disinfection is performed in three stages:

- pre-disinfection,
- cleaning,
- final disinfection.

Recommended disinfectants:

**NOTE – Compatibility!**

Chloride-containing disinfectants may damage some surfaces, Therefore, use only chloride-free disinfectants or a disinfectant with a low enough chloride content to have been proved harmless for stainless steel finishes!

Disinfectants with an alcohol content of more than 70 % may cause embrittlement of plastic components after extended exposure. Use only disinfectants with a low alcohol content. When using a disinfectant with an alcohol content of more than 70 %, the release limit of 200 g within 2 hours must not be exceeded.

Also suited are disinfectants based on quaternary ammonium compounds.

9**Cleaning and decontamination****Predisinfection:**

1. Remove all samples from the sample chamber and store them properly.
2. Remove accessories from the biological safety cabinet and disinfect them using the disinfection procedure recommended by the manufacturer.
3. The workplate and stainless steel components can be removed from the sample chamber and disinfected separately.
4. For predisinfection, spray disinfectant on all sample chamber surfaces or wipe the surfaces using disinfectant.
5. Do not remove the optional UV lamps from the sockets; wipe them thoroughly using a damp cloth.
6. Switch the device to work mode, move the front window to the work position.
7. Allow disinfectant to react as recommended by the manufacturer, then operate the biological safety cabinet for at least 15 to 20 minutes in the work mode so that released aerosols can be absorbed by the filters.

Cleaning:

1. Remove dirt residues and deposits thoroughly using a solution of tepid water and commercially available dishwashing agent.
2. Wipe the surfaces clean using a clean cloth and plenty of clear water.
3. Remove the cleaning liquid from the floorpan and wipe all sample chamber surfaces dry.

Final disinfection:

1. Again, spray disinfectant on all sample chamber surfaces or wipe the surfaces clean using disinfectant.
2. Allow disinfectant to react as recommended by the manufacturer.

9**Cleaning and decontamination****9.3 UV disinfection after a wipe/spray disinfection**

A UV disinfection can be performed either by using the optional integral UV lamps or by using a mobile UV device.

9.3.1 UV disinfection using the integral UV lamp**To start the UV disinfection routine:**

1. Close the front window completely, the air system operates in the reduced mode (yellow LED illuminated).
2. Start UV disinfection using the **UV** key at the operating panel:
Keep the **UV** depressed until the display alternatingly shows dIS and the remaining disinfection time.

To interrupt / cancel the UV disinfection routine:

1. Press the **UV** key (the display shows the operating hours).
2. Slide the front window up.

9.3.2 UV disinfection using a mobile UV device (optional)

To control the disinfection routine of a mobile UV device with the biological safety cabinet software, ensure that the connecting plug of the UV device is compatible with the UV disinfection adapter of the biological safety cabinet.

To start the UV disinfection routine:

1. Position the mobile UV device centered on the work area and connect it to the UV disinfection adapter.
2. Close the front window completely, the air system operates in the reduced mode (yellow LED illuminated).
3. Start UV disinfection using the **UV** key at the operating panel:
Keep the **UV** depressed until the display alternatingly shows dIS and the remaining disinfection time.

To interrupt / cancel the UV disinfection routine:

1. Press the **UV** key (the display shows the operating hours).
2. Slide the front window up.

9.3.3 Changing UV disinfection time

The UV disinfection time is preset; this setting can be changed, if required:

1. Switch the cabinet on and move the front window to the work position.
2. Keep the UV key depressed until the preset time is displayed.
3. To increase the time:
Press the **INTERNAL POWER SUPPLY** key. Each pressing of the key increases the time by 30 minutes.
4. To reduce the time:
Press the **INTEGRAL SAMPLE CHAMBER ILLUMINATION** key. Each pressing of the key reduces the time by 30 minutes.
5. To save the values:
Press the **UV** key.
The display shows the operating hours again.

9

Cleaning and decontamination

9.4 Disinfection with formaldehyde

Procedure:

For gas disinfection, formaldehyde is evaporated in the tightly sealed sample chamber. The quantity of the formaldehyde used depends on the sample chamber volume of the cabinet version to be disinfected (see Technical Data). Per cubic meter of sample chamber volume, at least 5 g formaldehyde must be evaporated with 20 ml water (corresponds with 25 ml of a 20 % formaldehyde solution). The formaldehyde evaporates immediately when its boiling point is reached. The required reaction time is at least 6 hours. After the required reaction time, the formaldehyde should be neutralized by evaporating a 25 % ammonium solution (10 ml per cubic meter of sample chamber volume).

Ambient conditions and accessories:

The temperature at the cabinet location should be approx 21 °C, the relative humidity should be between 60 and 85 %. To evaporate the solution, a heating device with a container is required.



NOTE – Disinfection procedure!

A disinfection with formaldehyde must be performed in accordance with the specifications of EN 12469.

As this procedure has considerable risks, it must only be performed by specially trained and authorized service personnel!

9.5 Cleaning the exterior surfaces

Wipe the exterior surfaces of the device clean using a solution of TAP water and commercially available dishwashing agent. Then, wipe the exterior surfaces dry using a soft, clean cloth.

9.6 Cleaning the front window

For cleaning (and disinfection using the wipe disinfection procedure), the front window can be lowered beyond the closing position (see Section 4.5). The gap between the light dome and the front window upper edge ensures that the upper section of the window can be cleaned or disinfected. Clean the front window using a commercially available window cleaner.

9 **Cleaning and decontamination**

9.7 Cleaning the floorpan

Clean the floorpan using a solution of tepid water and commercially available dishwashing agent.

1. Remove the workplates from the sample chamber.
2. Remove dirt residues and deposits thoroughly.
3. Wipe the floorpan clean using a clean cloth and plenty of clear water.
4. Remove the cleaning liquid from the floorpan and wipe the floorpan surfaces thoroughly clean.



NOTE – Material residues!

After cleaning, make sure that all cleaning materials have been removed completely from the floorpan.

5. Reinstall the workplates.

9.8 Cleaning the protective grid

Fig. 16: The multi-segment protective grid is retained in the installed position between support surface and airduct wall by its own tension.

1. To remove a grid segment [2], push the retaining tab [1] down until the grid segment can be removed from below the counterholder [3] of the wall.
2. To install the grid segment [2], first place it behind the fixed points [4], then push the retaining tab [1] down and against the counterholder [3] of the wall so that the counterholder engages in the tab.



NOTE – Inlet air protection!

Do not operate the device without inlet air protection. Prior to any start-up of the device, make sure that the inlet air protection is installed!

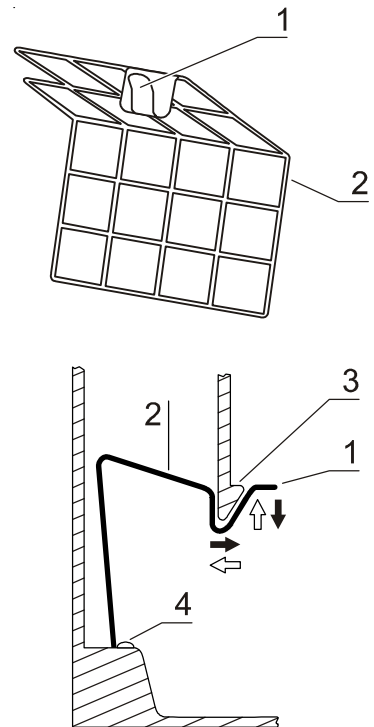


Fig. 16
Protective grid segment

10

Maintenance

10.1 Inspection

The SmartFlow Indicator, the test routine for the biological safety cabinet, determines the cabinet's system status by way of adjusting various device parameters.

- An inspection of the device should be performed if the SmartFlow Indicator displays steady 2 yellow LED`s.
- Regardless of the SmartFlow Indicator, the biological safety cabinet should be inspected annually.

The annual inspection comprises the following checks:

- Electrical safety in accordance with national regulations.
- Functional test of the device.
- Checking all components for possible damage.
- Checking the filter state.



NOTE – Perforated plate!

The perforated plate at the sample chamber ceiling serves as the protection of the down-flow filter and prevents refluxing.

While scanning the filter surface for a leak test, the perforated plate must be installed.

- Checking the airflow conditions.
- Repeat test in accordance with EN 12469 / 2000.

10.2 Service

HEPA filters:

As the filter replacement is an interference with the safety system of the device, filters must only be replaced by Thermo Fisher Scientific or by adequately trained and authorized service personnel.



WARNING – Filter replacement!

For any service work in a potentially contaminated section of the biological safety cabinet, a declaration of non-objection by the manufacturer must be presented.

10 Maintenance

10.2.1 Sample chamber illumination

Fig. 18: The sample chamber is illuminated by one or two fluorescent tubes (model MSC 0.9, 1.2, 1.5, 1.8). The spring-loaded sockets of the fluorescent tube [2] are installed to the light dome mounting frame in the sample chamber.

1. Switch the device off, disconnect it from the power supply system and protect it against accidental reconnection.
2. Move the front window down all the way beyond the frame (SmartClean position) to ensure a sufficient gap between window upper edge and light dome.
3. The fluorescent tubes are retained by rotatable sockets. Rotate the tube carefully by 90° into the removal position and remove it from the socket.
4. Insert the new tube und rotate it into the contact position.

10.2.2 Optional UV lamps

Fig. 17: The optional, device-integral UV lamp [1] is installed to the sample chamber ceiling immediately behind the front window. The UV lamp should be replaced after 1500 operating hours.

1. Switch the device off, disconnect it from the power supply system and protect it against accidental reconnection.
2. Move the front window to the maximum opening position.
3. Wear protective gloves to prevent skin fat residues from burning into the lamp tube.
The UV lamp is installed in rotating sockets. To remove, rotate the lamp counter-clockwise to disengage the latch and remove it from the sockets.
4. To install, slide the lamp contact pins into the rotating socket grooves and rotate the lamp clockwise to latch the sockets.

10.3 Retrofitting and repairs

External communication systems, e.g. failure report systems or components for supplying media such as gas solenoid valves, can be retrofitted and integrated into the device control.



NOTE – Retrofitting and repairs!

All retrofitting and repair works are interferences with the safety system of the device. Particularly modifications to the filter system and resulting changes of the airflow may impair personal and material protection. Such work must be carried out only by authorized service personnel.

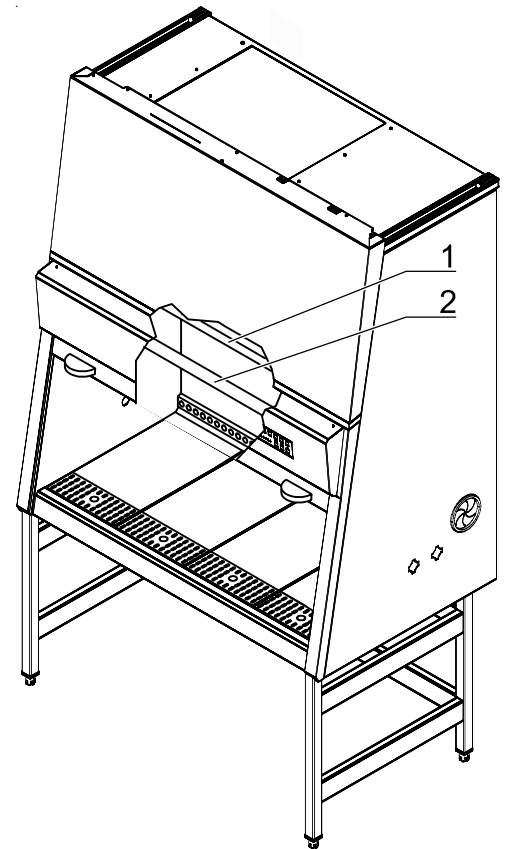


Fig. 17
UV lamp replacement

10.4 Exchanging SmartPorts



NOTE – Contamination

In order to prevent contaminated particles escaping from the utility chamber, the unit must be switched on in order to exchange the SmartPorts.

The SmartPorts are removed inwards into the utility chamber.

1. First remove the inner grommet of the SmartPort in the utility chamber inwards from the side panel opening.
2. Then remove the outer grommet of the SmartPort in the utility chamber inwards from the side panel opening.
3. Disinfect both grommets in the utility chamber and take them out of the utility chamber.
4. Insert new outer grommet in the side panel opening from the outside.
5. Insert new inner grommet in the side panel opening from the inside.

11

Disposal

11.1 Disposal procedure

Discarded cabinets or device components contain reusable materials. All components with the exception of the HEPA filters can be discarded after having been thoroughly cleaned and disinfected. The HEPA filters must be discarded in accordance with the applicable national and state regulations for special solid waste.



CAUTION – Contamination hazard!

As the device can be used for processing and treating infectious substances, it may be contaminated.

Prior to disposal, the complete device with filters must be decontaminated by performing a formaldehyde sterilization!



Recyclable materials!

Component	Material
Printed circuit boards	Enclosed electrical components coated with various plastics, mounted on epoxy resin-bound boards.
Plastic components, general	Note material labeling
Exterior housing	Steel, painted
Device backpanel	Stainless steel/steel, painted
Front window	Multi-layer safety glass
Operating panel and indicator foil	Polyethylene
Workplates	Stainless steel
Armrests	Stainless steel
Diffusor	Aluminium, anodized

11**Disposal****WEEE Compliance:**

This product is required to comply with the European Union's Waste Electrical & Electronic Equipment (WEEE) Directive 2002/96/EC. It is marked with the following symbol:



Thermo Fisher Scientific has contracted with one or more recycling/disposal companies in each EU Member State, and this product should be discarded or recycled through them. For further information on Thermo Scientific's compliance with these Directives, contact the recyclers in your country, and information on Thermo Scientific products which may assist the detection of substances subject to the RoHS Directive at www.thermo.com/WEEERoHS.

12

Technical data

Dimensions					
Description		MSC 0.9	MSC 1.2	MSC 1.5	MSC 1.8
Exterior dimensions					
Width	mm	1000	1300	1600	1900
Depth	mm	802			
Height	mm	1522			
Interior dimensions					
Width	mm	900	1200	1500	1800
Depth	mm	630			
Height	mm	780			
Front window					
Working position	mm	200			
Opening max.	mm	535			
Working area height, fixed height stand					
Seat position	mm	750			
Stand height, fixed height stand					
Stand	mm	680			
Side wall feed throughs					
Diameter	mm	23			
Distance lower edge	mm	227			
SmartPort feed throughs					
Diameter	mm	79			
Distance lower edge	mm	290			
Distance from backpanel					
Bushing 1	mm	275			
Bushing 2	mm	376			
SmartPort	mm	200			

12

Technical data

Volume, weights, and loads					
Description		MSC 0.9	MSC 1.2	MSC 1.5	MSC 1.8
Volume					
Unit volume	m ³	1.1	1.4	1.7	2.1
Floorpan	l	15	20	25	30
Weights					
Cabinet	kg	170	200	230	280
Stand	kg	24	26	28	30
Loads					
Max. load per working area module	kg	25			
Max. load on overall working area	kg	50			

Ambient conditions					
Description		MSC 0.9	MSC 1.2	MSC 1.5	MSC 1.8
Temperature					
Max. ambient temperature during operation	°C	40			
Min. ambient temperature during operation	°C	10			
Humidity					
Max. humidity / operation	% r.H.	90, non-condensing			
Max. humidity / storage	% r.H.	95			
Heat dissipation to environment					
Room temperature 20 °C	kJ/s	0,15	0,2	0,28	0,34
Room temperature rise					
Above room temperature with window closed	°K	< 2	< 2	< 2	< 2
Ergonomics					
Noise level	dB(A)	55		59	
		The noise level was determined in accordance with EN ISO3744. The sound pressure level was measured at a distance of 1 m in front of the working opening. The measurement uncertainty is within a range of ± 2 dB.			

12

Technical data

Electrical data					
MSC-Advantage		MSC 0.9	MSC 1.2	MSC 1.5	MSC 1.8
Voltage					
Rated voltage	V	1/N/PE AC, 230 V - 50-60 Hz			
Blower voltage	V	48 V / DC			
Current					
Power consumption max.	A	7.3		8.7	
Leakage current IEC1010, EN 61010	mA	< 3.5			
Motherboard fusing	A	2 x T 16 A			
Outlet fusing	A	2 x T 5 A			
On-site fusing	A	Circuit breaker B16 / Fuse T 16 A			
Power					
Power input max.	W	1700.0		2000.0	
Protection					
Protection class		I			
Protection type		IP 20			
Overvoltage category (IEC 1010, EN 61010)		II			
Contamination degree (IEC 1010, EN 61010)		2			
Connecting lines					
Mains connection		Cable (3.7 m)			

12
Technical data

Airflow system					
Description		MSC 0.9	MSC 1.2	MSC 1.5	MSC 1.8
Airflows / Airflow velocities					
Inflow	m/s	0.45			
Downflow	m/s	0.32			
Air volume					
Overall volume flow	m ³ /h	914	1218	1523	1827
Downflow volume flow	m ³ /h	622	829	1037	1244
Exhaust air volume flow	m ³ /h	292	389	486	583
Filters					
Type		HEPA (H 14 according to DIN EN 1822)			
Material		Glas fiber fleece			
Separability in MPPS	%	99.995			
Separability at 0,3 µm particle size	%	99.999			
Downflow					
Width	mm	915	1220	1525	1830
Depth	mm	457			
Height	mm	94			
Exhaust air					
Width	mm	610	610	610	915
Depth	mm	457			
Height	mm	117			



Notification no.	Notification date	Page 1/1
------------------	-------------------	-------------

Declaration

Thermo Electron LED GmbH
Customer Center Germany
Robert-Bosch-Str. 1
D-63505 Langenselbold

Telephone 0 8001 112 110
Telefax 0 8001 112 114
www.thermofisher.com

Invoice recipient / Customer no.			Location address / Forwarding address		
Call type	Region	ID of technician	Name of technician		Appointed date
Order date	by	Customer order no. / PO		Service contract no.	
Device description (Type)		Material no. (order no.)	Date of last maintenance	Date of delivery	Customer cost center
Equipment no. (Factory no.)	Serial no.	Service device no.	Date of calibration	Date of start-up	Customer inventory no.

Safety Declaration

Dear customer,

When using biological and chemical agents within and outside of devices, hazards to the health of the operating personnel may be present and contamination of the surroundings of the device may occur when service or repair works are carried out. Within the scope of national and international legal regulations, such as

- responsibility of a company for the protection of its employees,
 - responsibility of the operator for the operational safety of devices,
- all possible hazards must absolutely be prevented. Prior to any calibration, service, and repair works, prior to any relocation of a device, and prior to the shut-down of a device, the device must be decontaminated, disinfected, and cleaned as required by the work to be carried out.

Therefore, we ask you to fill in this certificate of decontamination before you start with the required work.

Yours sincerely,
 Thermo Electron LED GmbH

Works to be carried out (please mark where applicable)

Prevented maintenance	<input type="checkbox"/>	Filter replacement	<input type="checkbox"/>
Repair work	<input type="checkbox"/>	Transfer to new location	<input type="checkbox"/>
Calibration	<input type="checkbox"/>	Transport	<input type="checkbox"/>

Declaration of possible contamination (please mark where applicable)

The device is clear of biological material	<input type="checkbox"/>	The device is clear of dangerous chemical substances	<input type="checkbox"/>
The device is clear of radioactivity	<input type="checkbox"/>	The device is clear of other dangerous substances	<input type="checkbox"/>
The device is clear of cytostatic agents	<input type="checkbox"/>		

Certification

Prior to carrying out the required work, we have decontaminated, disinfected, and cleaned the device as described in the operating instructions of the device and in accordance with nationally applicable regulations. The device does not present any hazards.

Note

Date, legally binding signature, stamp

Revision: 1 Thermofisher certified: 18.08.08 MW Status: -Approved Ident-Nr: 50077599E - File name: P50077599E.pro

Thermo
S C I E N T I F I C

Internet: <http://www.thermofisher.com>