

HR-AZ/HR-A series

INSTRUCTION MANUAL

Analytical Balance

HR-250AZ / HR-251AZ
HR-150AZ / HR-100AZ
HR-250A / HR-251A
HR-150A / HR-100A

AND

A&D Company, Ltd.

© 2013 A&D Company, Limited. All rights reserved.

No part of this publication may be reproduced, transmitted, transcribed, or translated into any language in any form by any means without the written permission of A&D Company, Limited.

The contents of this manual and the specifications of the instrument covered by this manual are subject to change for improvement without notice.

Windows, Word and Excel are the registered trademarks of the Microsoft Corporation.

Contents

Basic Operation

1.	Introduction	5
1-1.	About This Manual	5
1-2.	Features	5
1-3.	Compliance	6
2.	Unpacking the Balance	7
2-1.	Unpacking	7
2-2.	Installing the Balance	8
3.	Precautions	9
3-1.	Before Use	9
3-2.	During Use	10
3-3.	After Use	11
3-4.	Power Supply	11
4.	Display Symbols and Key Operations	12

Adapting To The Environment

5.	Weighing Units	13
5-1.	Units	13
5-2.	Storing Units	15
6.	Weighing	16
6-1.	Basic Operations (g, mg, ct, mom)	16
6-2.	Smart Range	18
6-3.	Counting Mode (PCS)	19
6-4.	Percent Mode (%)	21
6-5.	Statistical Calculation Mode	22
6-6.	Statistical Calculation Mode (Example of Use)	26
7.	Response Adjustment	28
8.	Calibration (Sensitivity Adjustment/Sensitivity Check)	29
8-1.	Calibration Mode	29
8-2.	Calibration Using the Internal Mass (One-Touch Calibration, Only for the HR-AZ Series)	30
8-3.	Calibration Test Using the Internal Mass (Only for the HR-AZ Series)	31
8-4.	Correcting the Internal Mass Value 1 (Only for the HR-AZ Series)	32
8-5.	Correcting the Internal Mass Value 2 (Only for the HR-AZ Series)	33
8-6.	Calibration Using an External Weight	34
8-7.	Calibration Test Using an External Weight	35

Functions

9.	Function Switch and Initialization	36
9-1.	Permit or Inhibit	36
9-2.	Initializing the Balance	38
10.	Function Table	39
10-1.	Structure and Sequence of the Function Table	39
10-2.	Displays and Keys	39
10-3.	Details of the Function Table	40
10-4.	Description of the Class "Environment, Display"	44
10-5.	Description of the Item "Data Output Mode"	46
10-6.	Description of the Item "Data Format"	47
10-7.	Data Format Examples	50
10-8.	Description of the Item "Application Function"	51
10-9.	Clock and Calendar Function (Only for the HR-AZ Series)	52

10-10.	Comparator Function	54
11.	ID Number and GLP Report.....	55
11-1.	Setting the ID Number	55
11-2.	GLP Report.....	56
12.	Underhook.....	61
13.	Density Measurement (Specific Gravity).....	62
14.	Programmable-Unit.....	67
15.	Password Function	68
15-1.	Balance Software Versions 1.70 to 1.85.....	68
15-2.	Balance Software Versions 1.860 and Later	69
15-3.	Using the Password Function	70
15-4.	Entering the Password Before Weighing.....	71
15-5.	Logging Out	73
15-6.	Storing or Changing the Password	73
15-7.	How to Change the Password	74
15-8.	Deleting the Password (USER 01 to 10).....	75
15-9.	If the Password Is Lost or Forgotten	75
Interface And Communication		
16.	RS-232C Serial Interface.....	76
17.	Connection to Peripheral Equipment.....	77
17-1.	Connection to the AD-8121B Printer.....	77
17-2.	Connecting to the AD-8127 Printer	78
17-3.	Connection to a Computer.....	78
17-4.	Using Windows Communication Tools (WinCT).....	79
18.	Commands.....	80
18-1.	Command List	80
18-2.	Acknowledge Code and Error Codes	81
18-3.	Settings Related to RS-232C	83
19.	Key Lock Function	84
19-1.	Locking All the Keys	84
19-2.	Locking the Specified Keys.....	84
20.	Checking the Balance Software Version	85
Maintenance		
21.	Maintenance.....	85
22.	Troubleshooting.....	86
22-1.	Checking the Balance Performance and Environment.....	86
22-2.	Error Codes	87
22-3.	Other Display	88
22-4.	Asking for Repair	88
23.	Options and Peripheral Equipments.....	89
24.	Specifications.....	92
25.	External Dimensions.....	94
26.	Terms/Index.....	95
26-1.	Terms.....	95
26-2.	Index.....	96

1. Introduction

This manual describes how the HR-AZ / HR-A series balance works and how to get the most out of it in terms of performance. Read this manual thoroughly before using the balance and keep it at hand for future reference.

Operation may vary depending on the software version of the balance. To check the software version of your balance, refer to "20. Checking the Balance Software Version".

1-1. About This Manual

This manual consists of the following five parts:

Basic Operation..... Describes precautions on handling the balance, balance construction and basic balance operation.

Adapting To The Environment..... Describes response adjustment and calibration.

Functions Describes various functions of the balance.

Interface And Communication Describes the interface which transmits data and controls the balance.

Maintenance Describes maintenance, error codes, troubleshooting, specifications and options.

1-2. Features

- The HR-AZ series balance is equipped with an internal mass for one-touch calibration.
- Casing construction, strong protection against dust and moisture.
- Multiple weighing units with most of the common units used around the world.
- Standard RS-232C serial interface to communicate with a computer and to output the Good Laboratory Practice (GLP) / Good Manufacturing Practice (GMP) compliant report.
- Since the HR-AZ series balance has a built-in clock function, the measured value can be output to a printer with the date and time. (Changing the clock setting can be limited to the administrator only. Refer to "15. Password Function")
- You can restrict the balance users or the changes to the balance settings by the password function.
- The key lock function disables the balance key operation and enables the balance to be operated only by commands from external device.
- Statistical calculation mode to statistically calculate the weight data, and display or output the sum, maximum, minimum, range (maximum-minimum), average, standard deviation and coefficient of variation.
- Comparator Indicators, displaying the comparison results.
- Hold Function, provided for weighing a moving object such as an animal.
- Breeze break, provided for better stability if drafts are present.
- Underhook, provided for suspended weighing.
- As options, the USB interface (FX*i*-02), the Ethernet interface (FX*i*-08) and the built-in battery unit (FX*i*-09) are available.
Connecting the USB interface, by cable to a Windows computer, allows transmission of the weight data to Excel or Word. The Ethernet interface allows connection of the balance to a personal computer through a LAN. The battery unit allows use of the balance where a power source is not available.
- The AD-8920A remote display, that is sold separately, allows reading the weight value in a place away from the balance.

- The optional AD-1688 data logger provides easy weighing data management.
- The optional AD-1687 weighing environment logger provides easy management of the weighing data, such as environmental data for the weighing and so on.

1-3. Compliance

Compliance with FCC Rules

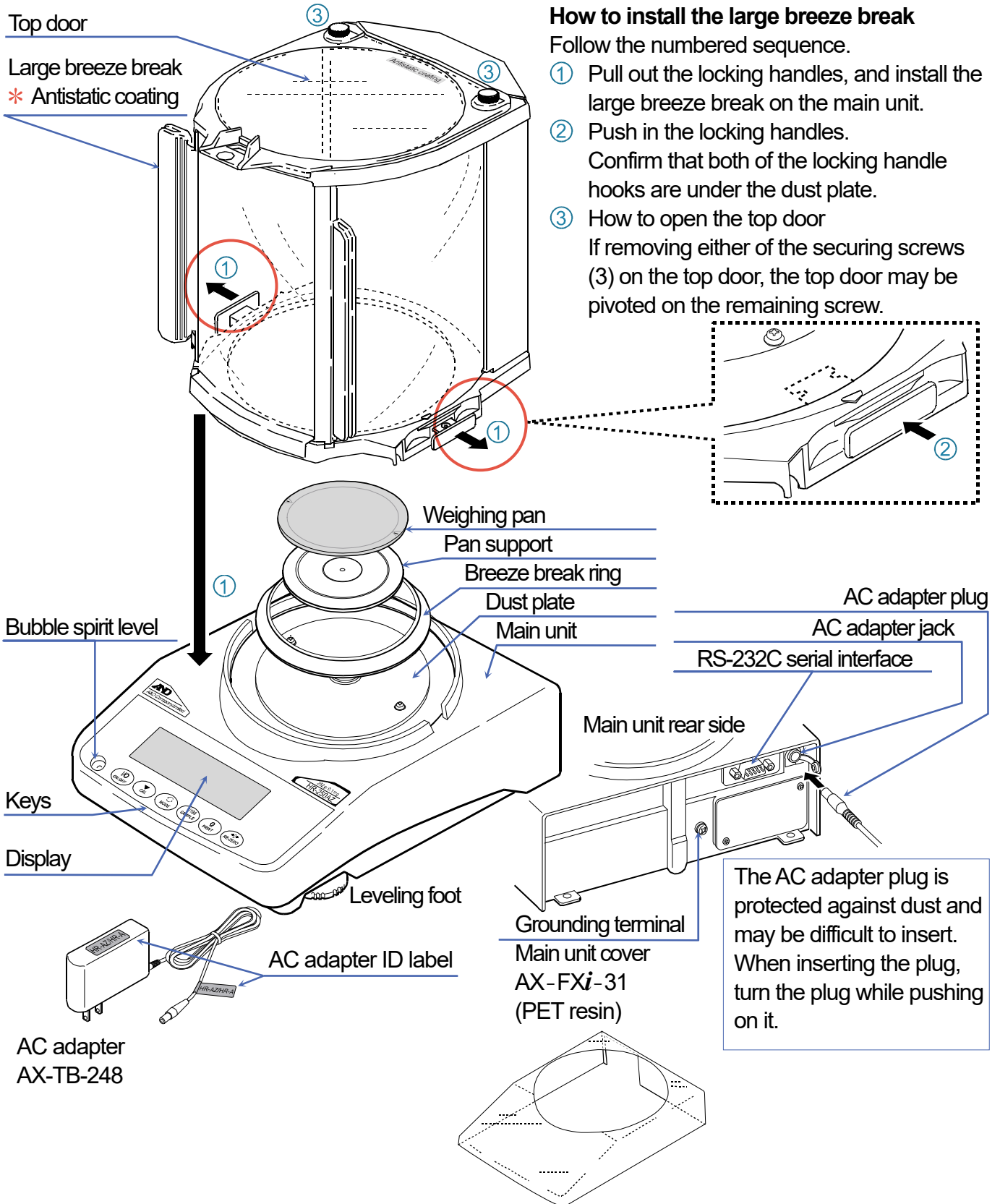
Please note that this device generates, uses and can radiate radio frequency energy. This device has been tested and has been found to comply with the limits of a Class A computing device pursuant to Subpart J of Part 15 of FCC rules. These rules are designed to provide reasonable protection against interference when this device is operated in a commercial environment. If this unit is operated in a residential area, it may cause some interference and under these circumstances the user would be required to take, at his own expense, whatever measures are necessary to eliminate the interference. (FCC = Federal Communications Commission in the U.S.A.)

2. Unpacking the Balance

2-1. Unpacking

- The balance is a precision instrument. Unpack the balance carefully. Keep the packing material to be used for transporting the balance in the future.
- See the illustrations to confirm that everything is included.

Install the large breeze break when drafts are present



Notes

- **Confirm that the AC adapter type is correct for your local voltage and receptacle type.**
- **Do not use the AC adapter provided with the balance for other models or equipment with which the AC adapter may not be compatible.**
- **If you use the wrong AC adapter, the balance and other equipment may not operate properly.**

2-2. Installing the Balance

Install the balance as follows:

1. Place the balance on a solid weighing table. Refer to "3. Precautions" for installing the balance.
2. Assemble the pan support, weighing pan, breeze break ring and breeze break, on the balance as shown in the illustration on page 7.
3. Adjust the leveling feet to level the balance. Confirm it using the bubble spirit level.
4. Confirm that the AC adapter type is correct for the local voltage and power receptacle type.
5. Connect the AC adapter to the balance. Warm up the balance for at least one hour with nothing on the weighing pan.

Note

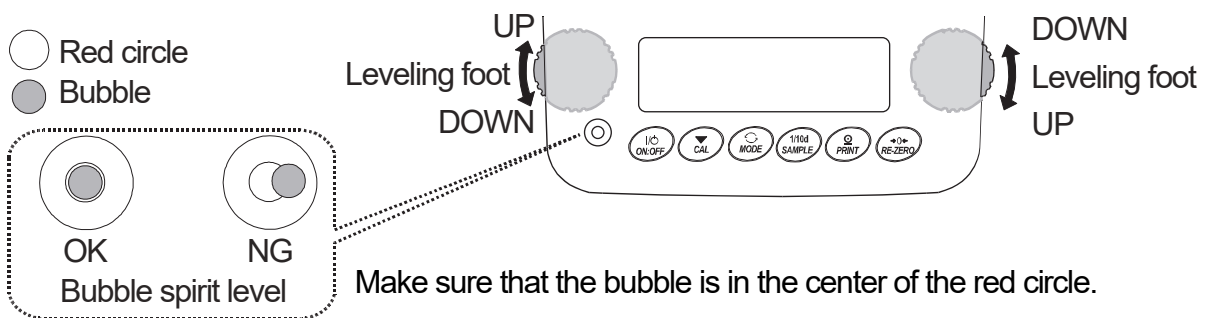
- **The AC adapter plug is protected against dust and may be difficult to insert. When inserting the plug, turn the plug while pushing on it.**

3. Precautions

To get the optimum performance from the balance and acquire accurate weight data, note the following:

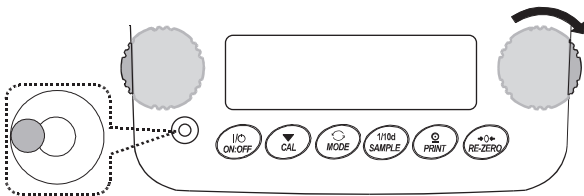
3-1. Before Use

- Install the balance in an environment where the temperature and humidity are not excessive. The best operating temperature is about 20°C / 68°F at about 50% relative humidity.
- Install the balance where it is not exposed to direct sunlight and it is not affected by heaters or air conditioners.
- Install the balance where it is free of dust.
- Install the balance away from equipment which produces magnetic fields.
- Install the balance in a stable place avoiding vibration and shock. Corners of rooms on the first floor are best, as they are less prone to vibration.
- The weighing table should be solid and free from vibration, drafts and as level as possible.
- Level the balance by adjusting the leveling feet and confirm it using the bubble spirit level.



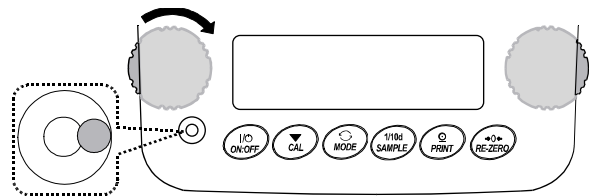
When the bubble is off to the left :

Turn the leveling foot on the front right in the clockwise direction.



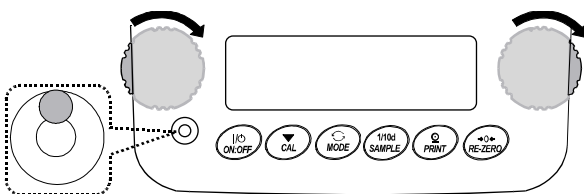
When the bubble is off to the right :

Turn the leveling foot on the front left in the clockwise direction.



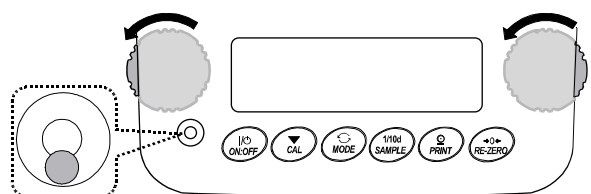
When the bubble is off to the backward position :

Turn both leveling feet on the front in the clockwise direction at the same time.



When the bubble is off to the forward position:

Turn both leveling feet on the front in the counterclockwise direction at the same time.

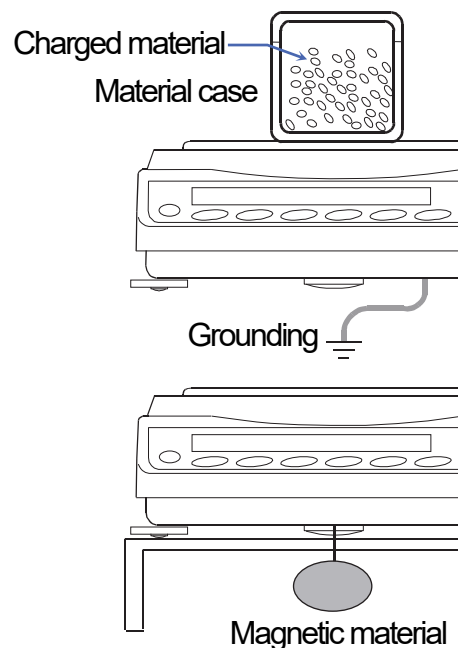


- Ensure a stable power source when using the AC adapter.
- Plug in the AC adapter and warm up the balance for at least one hour.
- Calibrate the balance before use or after having moved it to another location. Refer to "8. Calibration (Sensitivity Adjustment/Sensitivity Check)".

Caution: Do not install the balance where flammable or corrosive gas is present.

3-2. During Use

- Discharge static electricity from the material to be weighed (hereinafter referred to as the sample). When a sample could have a static charge, the weight data is influenced. Ground the balance and try the following:
 - Eliminate static electricity using the optional AD-1683 DC static eliminator.
 - Try to keep the ambient humidity above 45%RH.
 - Use a metal shield case for a charged sample.
 - Wipe charged plastic samples with a moistened cloth.
- This balance uses a strong magnet as part of the balance assembly, so please use caution when weighing magnetic materials such as iron. If there is a problem, use the underhook on the bottom of the balance to suspend the material away from the influence of the magnet.
- Eliminate the temperature difference between a sample and the environment. When a sample is warmer (cooler) than the ambient temperature, the sample will be lighter (heavier) than the true weight. This error is due to a rising (falling) draft around the sample.
- Make each weighing gently and quickly to avoid errors caused by the evaporation of moisture from the sample or the absorption of moisture by the sample.
- Do not drop things upon the weighing pan, or place a sample on the pan that is beyond the balance weighing capacity. Place a sample in the center of the weighing pan.
- Do not use a sharp instrument such as a pencil to press the keys. Use your finger only.
- Press the **RE-ZERO** key before each weighing to eliminate possible errors.
- Calibrate the balance periodically so as to eliminate possible errors.
- Take into consideration the affect of air buoyancy on a sample when more accuracy is required.
- Keep the balance interior free of dust and foreign materials.
- The breeze break (The HR-AZ / HR-A series) is provided as a standard accessory. An anti-static treatment has been applied to the breeze break components, but they may be charged with static electricity when they are unpacked or when the humidity is low. If the weight value is unstable even when there are no drafts or the balance has a problem with repeatability, remove the breeze break. Or wipe the clear plates with a moistened cloth, use the optional AD-1683 DC static eliminator or apply an anti-static spray.



3-3. After Use

- Avoid mechanical shock to the balance.
- Do not disassemble the balance. Contact the local A&D dealer if the balance needs service or repair.
- Do not use organic solvents to clean the balance. Clean the balance with a lint free cloth that is moistened with warm water and a mild detergent.
- The edge of the weighing pan is sharp. Use much care when cleaning the pan.
- Avoid dust and water so that the balance weighs correctly. Protect the internal parts from liquid spills and excessive dust.
- The breeze break parts have an antistatic coating. Washing these parts with water, etc., will diminish the antistatic coating function.

3-4. Power Supply

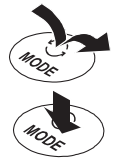
- When the AC adapter is connected, the balance is in the standby mode if the standby indicator is on (refer to "4. Display Symbols and Key Operations"). This is a normal state and does not harm the balance. For accurate weighing, allow the balance to reach equilibrium with room temperature, and then warm up the balance for at least one hour before use.

4. Display Symbols and Key Operations

Key Operations

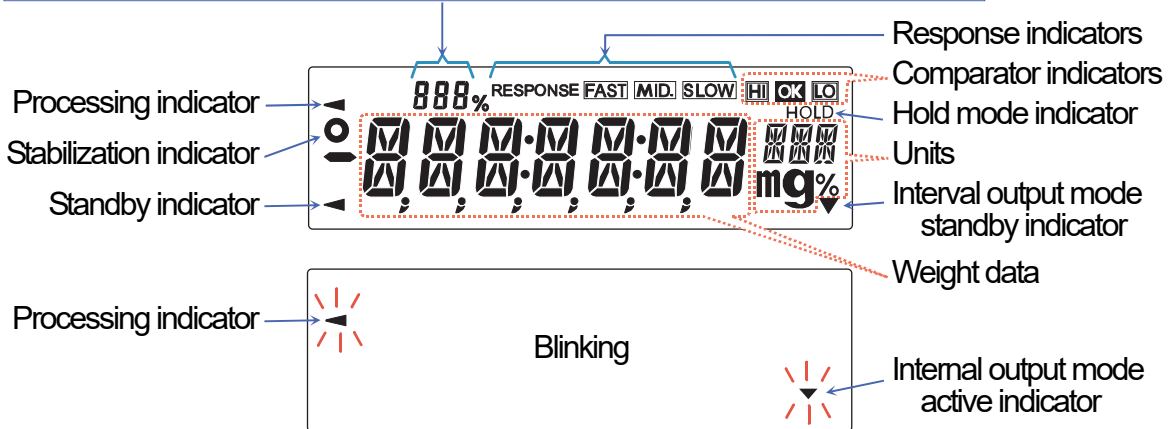
Key operations affect how the balance behave. The basic key operations are:

- "Press and release the key immediately" or "Press the key"
= normal key operation during measurement
- "Press and hold the key"



Display Symbols

- Displays the weight data relative to the weighing capacity, in percentage, in the weighing mode (Capacity indicator)
- Number of statistical data (Statistical calculation mode)
- Displays the setting value in the function mode



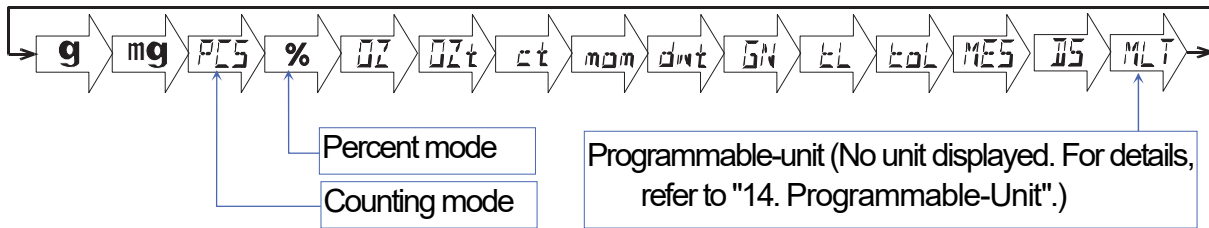
Each key, when pressed or when pressed and held, functions as follows:

Key	When pressed	When pressed and held (for 2 seconds)
	<ul style="list-style-type: none"> □ Turns the display on or off. The standby indicator is displayed when the display is turned off. The weighing mode is enabled when the display is turned on. When the display is turned on, the password input (<code>PASS</code>) is displayed if the password function is used. The weighing mode is enabled if the password function is not used. Refer to "15-4. Entering the Password Before Weighing". □ This key is available anytime. Pressing the key during operation will interrupt the operation and turn the display off. 	
	<ul style="list-style-type: none"> □ In the weighing mode, turns the minimum weighing value on or off. □ In the counting or percent mode, enters the sample storing mode. 	Enters the function table mode. Refer to "10. Function Table".
	Switches the weighing units stored in the function table. Refer to "5. Weighing Units".	Enters the response adjustment mode.
	<ul style="list-style-type: none"> □ Cancels the operation when performing settings. With the HR-AZ series, enters the calibration mode using the internal mass. (One-touch calibration) 	Enters the calibration mode.
	<ul style="list-style-type: none"> □ Outputs the weight data to a printer or personal computer using the RS-232C serial interface, depending on the function table settings. □ Confirms the operation when performing settings. 	<ul style="list-style-type: none"> □ No function at the factory setting □ By changing the function table: Outputs "Title block" and "End block" for GLP/GMP compliant report. (Refer to "11-2. GLP Report".)
	Sets the display to zero.	

5. Weighing Units

5-1. Units

With the HR-AZ / HR-A series balance, the following weighing units and weighing modes are available:



A unit or mode can be selected and stored in the function table as described below.

If a weighing mode (or unit of weight) has been turned off, that mode or unit will be missing in the sequence. Tael has four varieties, one of which can be selected and installed at the factory.

To select a unit or mode for weighing, press the **MODE** key.

For details about the units and modes, see the table below:

Name (unit, mode)	Display	Function table (Storing mode)	Conversion factor 1 g =
Gram	g	g	1 g
Milligram	mg	mg	0.001g
Counting mode	PCS	PCS	—
Percent mode	%	%	—
Ounce (Avoir)	OZ	OZ	28.349523125 g
Troy Ounce	OZt	OZt	31.1034768 g
Metric Carat	ct	ct	0.2 g
Momme	mom	mom	3.75 g
Pennyweight	dwt	dwt	1.55517384 g
Grain (UK)	GN	GN	0.06479891 g
Tael (HK general, Singapore)			37.7994 g
Tael (HK jewelry)			37.429 g
Tael (Taiwan)	EL	EL	37.5 g
Tael (China)			31.25 g
Tola (India)	tOL	tOL	11.6638038 g
Messghal	MES	MES	4.6875 g
Density mode	JS	JS	—
Programmable-unit (Multi-unit)	MLT	MLT	—

The tables below indicate the weighing capacity and the minimum display for each unit, depending on the balance model.

Unit	Capacity			Minimum Display
	HR-100AZ HR-100A	HR-150AZ HR-150A	HR-250AZ HR-250A	
Gram	102	152	252	0.0001
Ounce (Avoir)	3.59	5.36	8.88	0.00001
Troy Ounce	3.27	4.88	8.10	0.00001
Metric Carat	510	760	1260	0.001
Momme	27.2	40.5	67.2	0.0001
Pennyweight	65.5	97.7	162.0	0.0001
Grain (UK)	1574	2346	3889	0.002
Tael (HK general, Singapore)	2.69	4.02	6.66	0.00001
Tael (HK jewelry)	2.72	4.06	6.73	0.00001
Tael (Taiwan)	2.72	4.05	6.72	0.00001
Tael (China)	3.26	4.86	8.06	0.00001
Tola (India)	8.74	13.0	21.6	0.00001
Messghal	21.7	32.4	53.7	0.0001

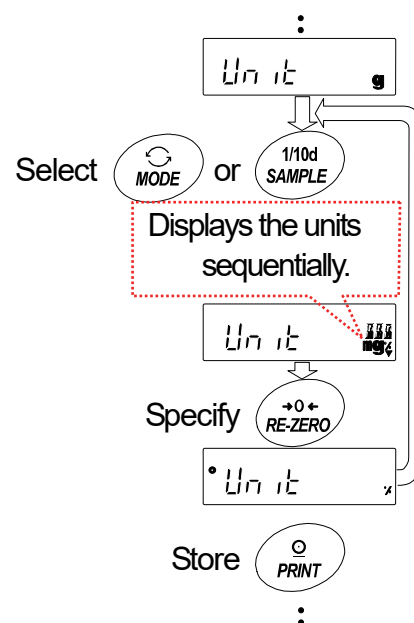
Unit	HR-251AZ / HR-251A			
	Precision Range		Standard Range	
	Capacity	Minimum Display	Capacity	Minimum Display
Gram	62	0.0001	252	0.001
Ounce (Avoir)	2.18	0.00001	8.88	0.0001
Troy Ounce	1.99	0.00001	8.10	0.0001
Metric Carat	310	0.001	1260	0.01
Momme	16.5	0.0001	67.2	0.001
Pennyweight	39.8	0.0001	162.0	0.001
Grain (UK)	956	0.002	3889	0.01
Tael (HK general, Singapore)	1.64	0.00001	6.66	0.0001
Tael (HK jewelry)	1.65	0.00001	6.73	0.0001
Tael (Taiwan)	1.65	0.00001	6.72	0.0001
Tael (China)	1.98	0.00001	8.06	0.0001
Tola (India)	5.31	0.00001	21.6	0.0001
Messghal	13.2	0.0001	53.7	0.001

5-2. Storing Units

The units or modes can be selected and stored in the function table. The sequence of displaying the units or modes can be arranged in the function table so as to fit the frequency of use.

Select a unit or mode and arrange the sequence of display as follows:

- 1 Press and hold the **SAMPLE** key until **bRSFnC** of the function table is displayed.
- 2 Press the **SAMPLE** key several times to display **Unit** .
- 3 Press the **PRINT** key to enter the unit selection mode.
- 4 Specify a unit or mode in the order to be displayed using the following keys.
SAMPLE keyTo sequentially display the units.
RE-ZERO keyTo specify a unit or mode.
 The stabilization indicator appears when the displayed unit or mode is specified.
- 5 Press the **PRINT** key to store the units or modes. The balance displays **End** and then displays the next menu item of the function table.
- 6 Press the **CAL** key to exit the function table. Then the balance returns to the weighing mode with the unit specified first in step 4.



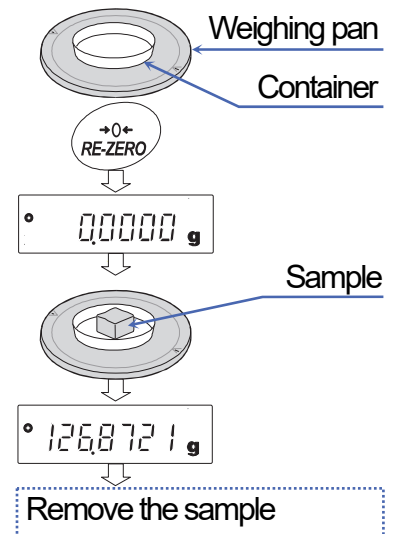
Notes

- When the power is turned on, the scale displays the unit specified first in step 4.
- In the weighing mode, to select a unit or mode for weighing, press the **MODE** key.

6. Weighing

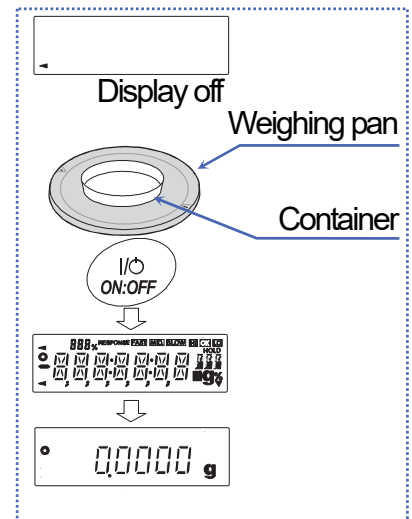
6-1. Basic Operations (g, mg, ct, mom)

- 1 Press the **MODE** key and select a unit.
Select the "g" in this example.
- 2 Place a container on the weighing pan, if necessary.
Press the **RE-ZERO** key to cancel the weight (tare). The balance displays **0.0000 g**. (The decimal point position depends on the balance model.)
- 3 Place a sample on the pan or in the container.
- 4 Wait for the stabilization indicator to turn on. Read the value.
While the stabilization indicator is on, pressing the **PRINT** key will output the weight value, using the RS-232C serial interface.
*** Peripheral equipment, that is sold separately, such as a printer or a personal computer is required.**
- 5 Remove the sample and container from the pan.



Notes

- Press the **SAMPLE** key to turn on or off the minimum weighing value.
- When the **ON:OFF** key is pressed with a container placed on the weighing pan, the balance displays **0.0000 g** and weighing is started.



Zero Operation, Tare Operation and Weighing Range

□ **When weighing is started**

The balance will determine the reference zero point when the **ON: OFF** key is pressed to enter the weighing mode.

Depending on the load condition at that time, the balance will automatically judge whether to perform zero or tare operation. The condition for determining which is used is "Power-on zero range", and when power on zero range is exceeded, the tare operation is performed.

□ **Re-zero operation**

By pressing the **RE-ZERO** key, the display can be set to zero.

The re-zero operation with the **RE-ZERO** key will automatically judge whether to perform zero or tare operation. The condition for determining which is used is "Zero range", and when zero range is exceeded, the tare operation is performed.

□ **Weighing range**

The range that the balance can weigh varies depending on the model.

When the total amount (net weight + tare weight) displayed for each model exceeds the maximum display, **E** is displayed to indicate that the weighing range is exceeded.

When exceeded in the negative direction, **-E** is displayed.

Model	Power-on zero range	Zero range	-E display range
HR-250AZ / HR-250A HR-251AZ / HR-251A	Approx. ± 25 g	Approx. ± 5 g	Approx. -12 g or less
HR-150AZ / HR-150A	Approx. ± 15 g	Approx. ± 3 g	Approx. -7 g or less
HR-100AZ / HR-100A	Approx. ± 10 g	Approx. ± 2 g	Approx. -5 g or less

6-2. Smart Range

- The smart range for the HR-251AZ / HR-251A consists of the standard range and precision range (high resolution).
- Smart range function
 - The range switches automatically, depending on the value displayed.
 - Pressing the **RE-ZERO** key allows weighing in the precision range, regardless of the tare value.
 - The range can be fixed to the standard range by pressing the **SAMPLE** key.

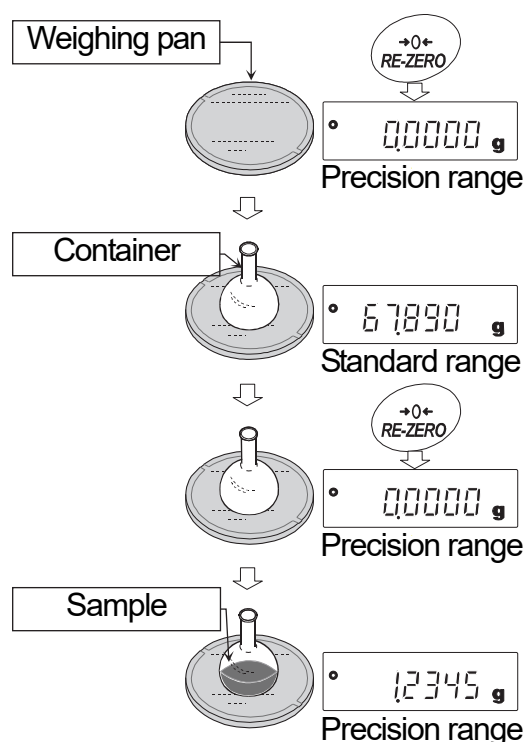
Precision Range and Standard Range for the HR-251AZ/HR-251A

Unit	Precision range	Standard range
Gram	0.0000 g to 62.0009 g	62.001 g to 252.008 g
Milligram	0.0 mg to 620009 mg	62001 mg to 252008 mg
Carat	0.000 ct to 310.005 ct	310.01 ct to 1260.04 ct
Momme	0.0000 mom to 16.5336 mom	16.534 mom to 67.202 mom

Refer to page 13 for other units.

Example

- 1 Press the **RE-ZERO** key to use the precision range.
The balance displays zero.
- 2 Place a container (tare) on the weighing pan.
When the weight value displayed exceeds the precision range value, the balance will switch to the standard range.
- 3 Press the **RE-ZERO** key.
The balance displays zero and switches to the precision range.
- 4 Place a sample in the container.
When the weight value displayed is within the precision range value, the balance will perform a weighing, using the precision range.



6-3. Counting Mode (PCS)

This is the mode to determine the number of objects in a sample based on the standard sample unit mass. The unit mass means the mass of one piece of the sample. The smaller the variables in each sample unit mass are, the more accurate the counting will be. The balance is equipped with the Automatic Counting Accuracy Improvement (ACAI) function to improve the counting accuracy.

Notes

- For counting, use samples with a unit mass of at least ten or more times the minimum weighing value of the balance.
- If the sample unit mass variable is too large, it may cause a counting error.
- To improve the counting performance, use the ACAI function frequently or divide the samples into several groups and count each group.

Selecting the Counting Mode

- 1 Press the **MODE** key to select **PCS** (counting mode).

Storing a Sample Unit Mass

- 2 Press the **SAMPLE** key to enter the sample unit mass storing mode.

Even in the storing mode, pressing the **MODE** key will switch to the next mode.

- 3 To select the number of samples, press the **SAMPLE** key several times. It may be set to 10, 25, 50 or 100.

Note

- A greater number of samples will yield more accurate counting result.

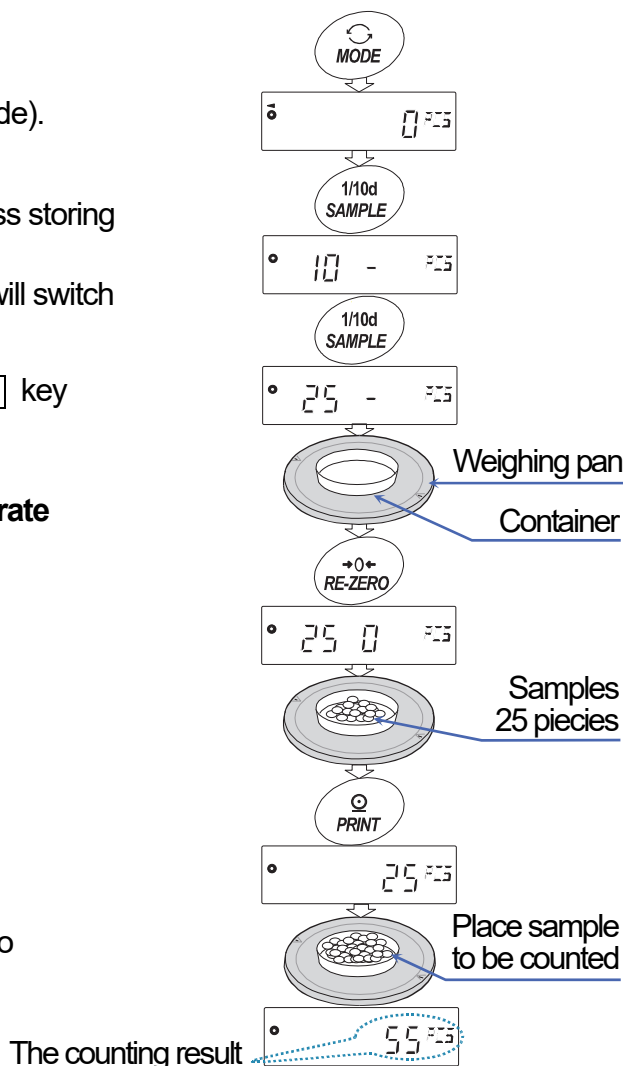
- 4 Place a container on the weighing pan, if necessary. Press the **RE-ZERO** key to cancel the weight (tare).

The number specified in step 3 appears.

e.g.: **25 0** is displayed if 25 is selected in step 3.

- 5 Place the number of samples specified on the pan. In this example, 25 pieces.

- 6 Wait for the stabilization indicator to turn on. Press the **PRINT** key to calculate and store the unit mass. The balance displays **25 PCS** (counting mode) and is set to count samples with this unit mass. To improve the accuracy of the unit mass, go to step 8.



Notes

- If the balance judges that the mass of the samples is too light and is not adequate to be used as the unit mass, it displays **Lo**. In that case, store the mass by some quantity. For example, when the model with the minimum weighing value of 0.0001 g is used and 10 pieces of samples weigh 0.0005 g. Store 100 pieces of samples as 10 and multiply the weighing result by 10.
- If the balance judges that the mass of the samples is too light to acquire accurate weighing, it displays an error requiring the addition of more samples to the specified number. For example, **50- PCS** appears to require 25 more samples. Add 25 samples and press the **PRINT** key. When the unit mass is stored correctly, the balance proceeds to the counting mode.

- For a more accurate counting operation, use samples with a unit mass of at least ten or more times the minimum weighing value of the balance. For example, when a balance with a minimum weighing value of 0.0001 g is used, the recommended sample unit mass is 0.001 g or more.
- The sample unit mass stored, even if the AC adapter is removed, is maintained in non-volatile memory.

Counting Operation

- 7 Place the samples to be counted on the pan.
While the stabilization indicator is on, pressing the PRINT key will output the weight value (number of objects), using the RS-232C serial interface.

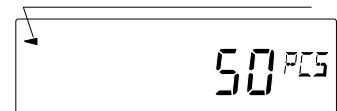
Note

- **Peripheral equipment, that is sold separately , such as a printer or a personal computer is required.**

Counting Mode Using the ACAI Function

The ACAI is a function that improves the accuracy of the unit mass automatically by increasing the number of samples and averaging the unit mass variable to minimize the weighing error, as the counting process proceeds.

Processing indicator



- 8 If a few more samples are added, the processing indicator turns on. To prevent an error, add three or more. The processing indicator does not turn on if overloaded. Try to add the same number of samples as displayed.
- 9 The balance re-calculates the unit mass while the processing indicator is blinking. Do not touch the balance or samples on the pan until the processing indicator turns off.
- 10 Counting accuracy is improved when the processing indicator turns off.
Each time the above operation is performed, a more accurate unit mass will be obtained. There is no definite upper limit of ACAI range for the number of samples exceeding 100. Try to add the same number of samples as displayed.
- 11 Remove all the samples used in ACAI and proceed with the counting operation using the improved unit mass.

6-4. Percent Mode (%)

This is the mode to display the weight value in percentage compared to a 100% reference mass and is used for target weighing or checking the sample variable.

Selecting the Percent Mode

- 1 Press the **MODE** key to select **%** (percent mode).

Storing the 100% Reference Mass

- 2 Press the **SAMPLE** key to enter the 100% reference mass storing mode. Even in the storing mode, pressing the **MODE** key will switch to the next mode.
- 3 Place a container on the weighing pan, if necessary. Press the **RE-ZERO** key to cancel the weight (tare). The balance displays **100 0 %**.
- 4 Place the sample to be set as the 100% reference mass on the pan or in the container.
- 5 Press the **PRINT** key to store the reference mass. The balance displays **100.00 %**. (The decimal point position depends on the reference value.)

100 % mass	Minimum display
0.0100 g to 0.0999 g	1 %
0.1000 g to 0.9999 g	0.1 %
1.0000 g or more	0.01 %

Notes

- If the balance judges that the mass of the sample is too light to be used as a reference, it displays **Lo**. Do not use the sample.
- The reference mass stored, even if the AC adapter is removed, is maintained in non-volatile memory.

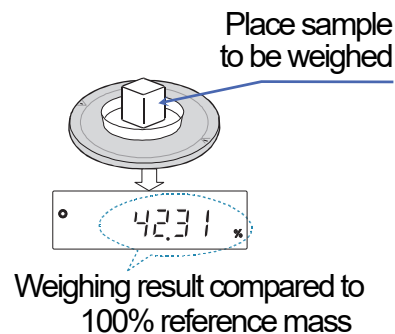
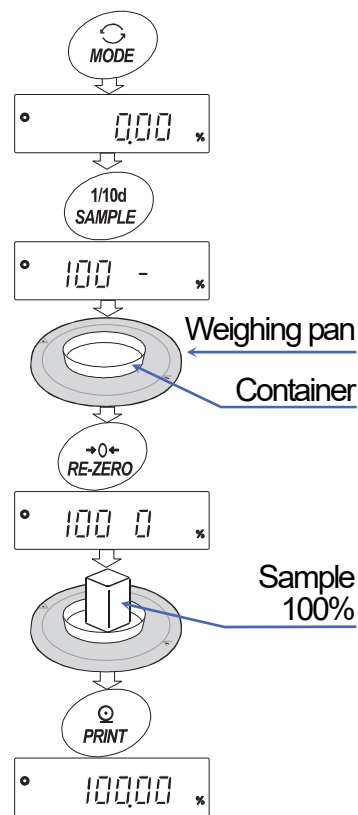
- 6 Remove the sample.

Reading the Percentage

- 7 Place a sample to be compared to the reference mass on the pan. The displayed percentage is based on the 100% reference mass. While the stabilization indicator is on, pressing the **PRINT** key will output the weight value, using the RS-232C serial interface.

Note

- Peripheral equipment, that is sold separately, such as a printer or a personal computer is required.



6-5. Statistical Calculation Mode

The statistical calculation mode statistically calculates the weight data, and displays or outputs the results. To use the statistical calculation mode, set the "Application function (APF)" parameter of "Application (AP Fnc)" in the function table to "2", as described below.

Statistical items available are number of data, sum, maximum, minimum, range (maximum-minimum), average, standard deviation, coefficient of variation and relative error. What statistical items to output can be selected from the four modes in the function table.

- The wrong data input can be canceled by the key operation, if immediately after the input.
- Turning the balance off will delete the statistical data.
- The standard deviation, coefficient of variation and relative error are obtained by the equation below:

$$\text{Standard deviation} = \sqrt{\frac{N \cdot \sum(X_i)^2 - (\sum X_i)^2}{N \cdot (N - 1)}} \quad \text{where } X_i \text{ is the } i\text{-th weight data, } N \text{ is number of data.}$$

$$\text{Coefficient of variation (CV)} = \frac{\text{Standard deviation}}{\text{Average}} \times 100 (\%)$$

$$\text{Relative error of maximum value} = \frac{\text{Maximum value} - \text{Average}}{\text{Average}} \times 100 (\%)$$

$$\text{Relative error of minimum value} = \frac{\text{Maximum value} - \text{Average}}{\text{Average}} \times 100 (\%)$$

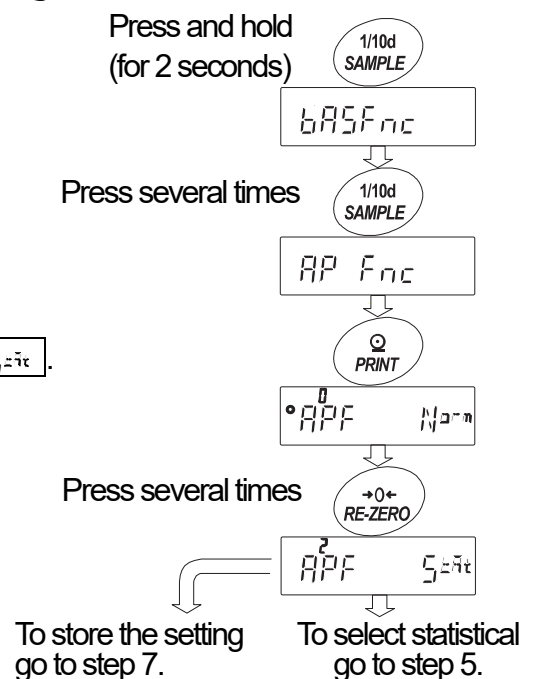
Note

- **When data with the minimum weighing value turned off are used in the statistical calculation, results will be displayed with the minimum weighing value turned off. (The minimum weighing value will be rounded off.)**

6.5.1. Getting Started

Switching to the Statistical Function Mode (Changing the Function Table)

- 1 Press and hold the **SAMPLE** key until **bASFnC** of the function table is displayed, then release the key.
- 2 Press the **SAMPLE** key several times to display **AP Fnc**.
- 3 Press the **PRINT** key to display **APF N₂m**.
- 4 Press the **RE-ZERO** key several times to display **APF Set**.
 To select statistical items to output, go to step 5.
 To store the statistical function mode setting, go to step 7.
 To disable the statistical calculation mode, press the **RE-ZERO** key to select **APF N₂m**.



Selecting the Statistical Items to Output

5 Press the **SAMPLE** key to display

6 Press the **RE-ZERO** key to select the output items.

In the example, is selected to output the number of data, sum, maximum, minimum, range (maximum-minimum) and average.

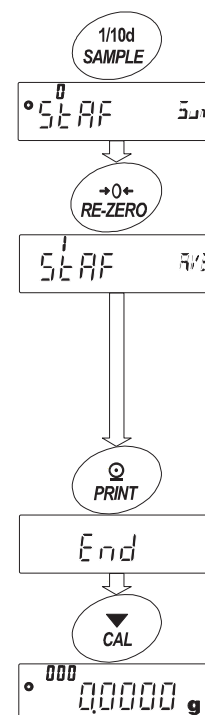
Parameter	Description
0	Number of data, Sum
1	Number of data, Sum, Maximum, Minimum, Range (maximum – minimum), average
2	Number of data, Sum, Maximum, Minimum, Range (maximum – minimum), Average, Standard deviation, Coefficient of variation
3	Number of data, Sum, Maximum, Minimum, Range (maximum – minimum), Average, Standard deviation, Coefficient of variation, Relative error of maximum value, Relative error of minimum value

7 Press the **PRINT** key to store the setting.

Note

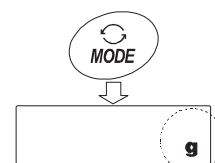
□ The statistical calculation mode will be enabled using the **ON:OFF** key or when the power is turned on.

8 Press the **CAL** key to return to the weighing mode.



Selecting the Unit

9 Press the **MODE** key to select the unit to be used for the statistical calculation mode. In the example shown at the right, gram (g) is selected.



Notes

- Selecting the unit using the **MODE** key is not available after the data is entered. In this case, clear the data as described on page 25 and select the unit using the **MODE** key.
- When the unit used for the statistical calculation mode is to be enabled upon power-on, select the unit in "Unit (Unit)" of the function table beforehand.

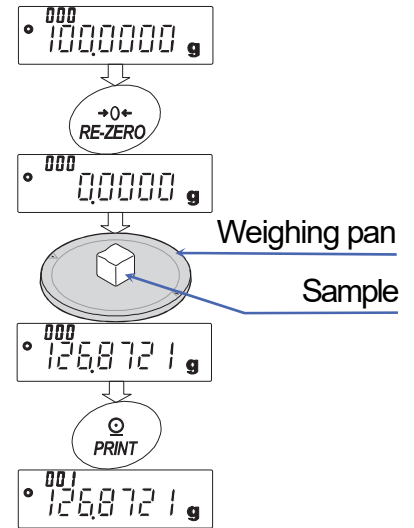
6.5.2. Using the Statistical Calculation Mode

Entering Data for Statistical Calculation

Use the following keys to operate the statistical calculation mode.

- MODE** key □ When the data is entered, moves between the displaying items (weighing mode, statistical results and data operation) each time the key is pressed.
 - When no data has been entered, selects the unit.
- SAMPLE** key □ Turns the minimum weighing value on or off, in the weighing mode.
- RE-ZERO** key ... □ Sets the display to zero in the weighing mode.
- PRINT** key □ Outputs the data number and the weight data and includes the weight data to statistical calculation in the weighing mode. (Output is not in the data format specified in the function table because of the data number added.)
 - Outputs the statistical results while the statistical results are displayed. (Output is not in the data format specified in the function table.)
- CAL** key □ Returns to the weighing mode.

- 1 Press the **RE-ZERO** key to set the display to zero.
- 2 Place the sample on the weighing pan and wait for the stabilization indicator to turn on.
- 3 Press the **PRINT** key to add the data displayed to statistical calculation. The number of data on the upper left of the display increases by 1.
- 4 Repeat steps 1 to 3 for each weighing.



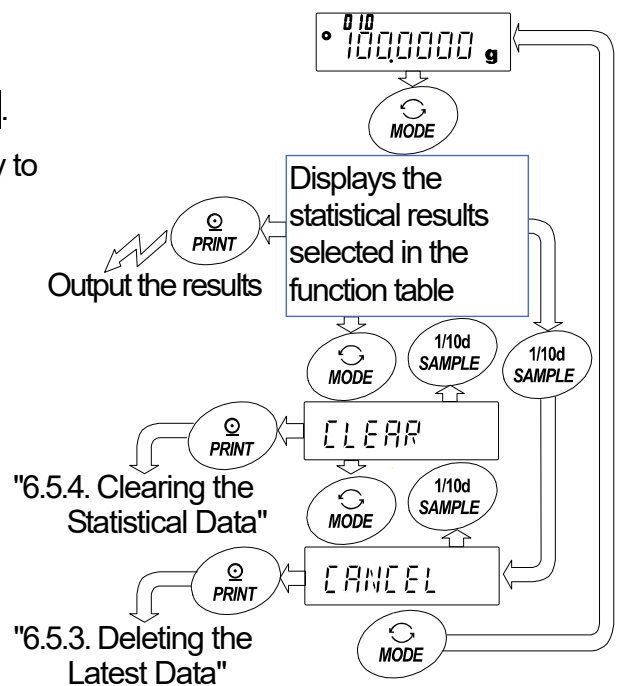
Outputting the Statistical Results

- 5 Each time the **MODE** key is pressed, the display changes: the results as selected in "Statistical function mode output items (STAT)", **CLEAR** and **CANCEL**.
- 6 While the results are displayed, press the **PRINT** key to output the results.

Notes

- When the number of data is 1, the coefficient of variation is displayed as **-----**.
- When the average is 0, the coefficient of variation is displayed as **-----**.
- Statistical items are indicated on the upper left of the display using the following symbols.

Symbol	Statistical item
$\Sigma u \bar{n}$	Sum
$\bar{n} P11$	Maximum
$\bar{n} 1n$	Minimum
r	Range (Maximum – minimum)
$\bar{A} \bar{u} E$	Average
Sd	Standard deviation
$C \bar{u}$	Coefficient of variation
$\bar{n} P11\%$	Relative error of maximum value
$\bar{n} 1n\%$	Relative error of minimum value



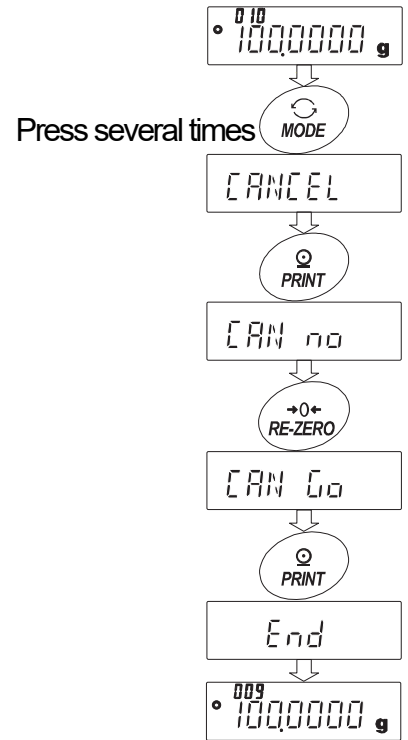
Output example Function table parameter

N	10	} 1 2 3
SUM	100.0000g	
MAX	+10.5000g	
MIN	+9.5000g	
R	+1.0000g	
AVE	+10.0000g	
SD	+0.280 g	
CV	+2.80 %	
MAX%	+5.00 %	
MIN%	+5.00 %	

6.5.3. Deleting the Latest Data

When the wrong data is entered, it can be deleted and excluded from statistical calculation. Only the latest data can be deleted.

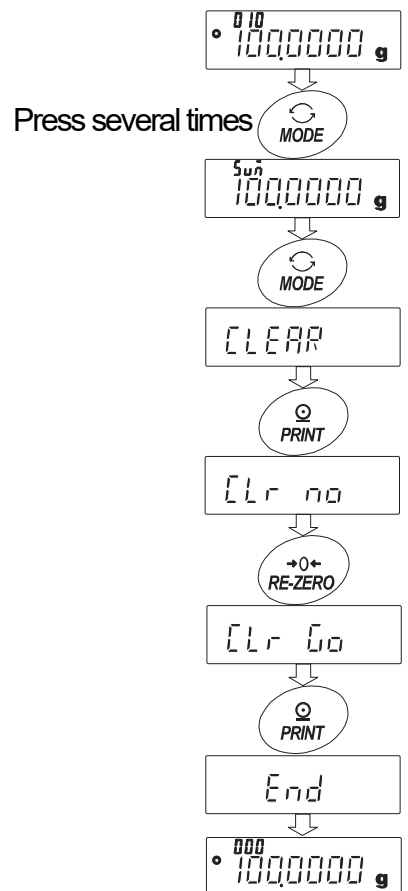
- 1 In the weighing mode, press the **MODE** key several times to display **CANCEL**.
- 2 Press the **PRINT** key to display **CAN no**.
- 3 Press the **RE-ZERO** key to display **CAN 0.0**.
- 4 Press the **PRINT** key to delete the latest data and exclude it from statistical calculation.
The number of data decreases by 1 when the balance returns to the weighing mode.



6.5.4. Clearing the Statistical Data

All the statistical data will be deleted and the number of data will be 0 (zero).

- 1 In the weighing mode, press the **MODE** key several times to display **CLEAR**.
- 2 Press the **PRINT** key to display **Clr no**.
- 3 Press the **RE-ZERO** key to display **Clr 0.0**.
- 4 Press the **PRINT** key to delete the statistical data.
The number of data becomes 0 (zero) when the balance returns to the weighing mode.



6-6. Statistical Calculation Mode (Example of Use)

Here, as an example of use of the statistical calculation mode, mixing of the multiple formulae such as medicine is described. The mixing process is recorded using the balance and the printer.

In the example, the HR-250AZ and the compact printer AD-8121B (dump print mode) are connected using the RS-232C serial interface.

6.6.1. Getting Started

Changing the Function Table

- Changes
- To enable the statistical calculation mode
 - To enable "Zero after output"

Enabling the Statistical Calculation Mode

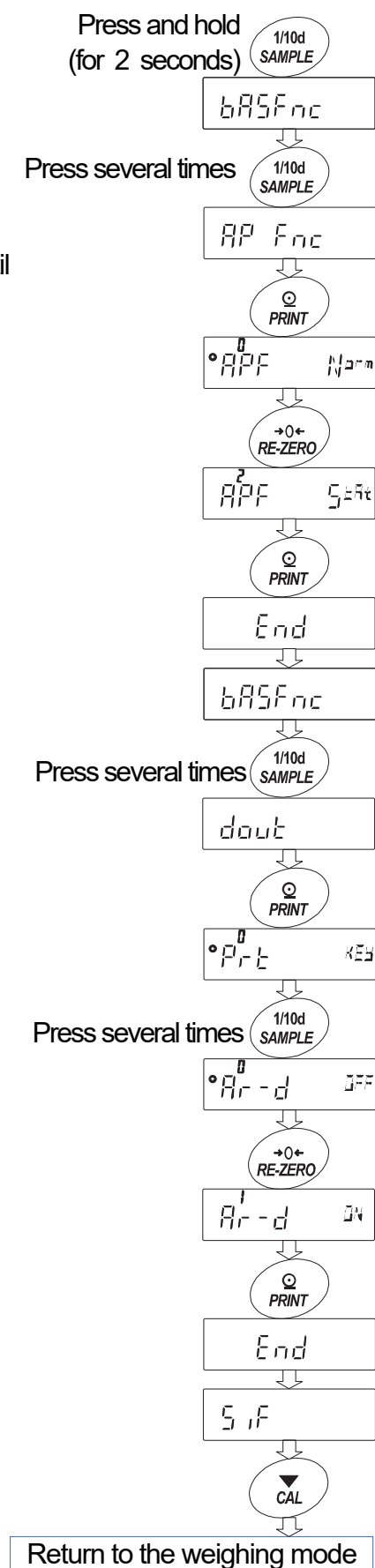
- 1 Enter the function table menu. Press and hold the **[SAMPLE]** key until **bASFnC** of the function table is displayed, then release the key.
- 2 Select the application function. Press the **[SAMPLE]** key several times to display **AP Fnc**. Then, press the **[PRINT]** key to display **APF N⁰arm**. Press the **[RE-ZERO]** key to display **APF S²acc**. Press the **[PRINT]** key to confirm the change. After **End**, **bASFnC** is displayed.

Enabling "Zero After Output"

- 4 Select "Zero after output". Press the **[SAMPLE]** key several times to display **dout**. Then, press the **[PRINT]** key to display **Pr⁰t KEs**, and press the **[SAMPLE]** key several times to display **Pr¹-d JFF**.
- 5 Enable "Zero after output". Press the **[RE-ZERO]** key to display **Pr¹-d JN**. Then, press the **[PRINT]** key to confirm the change. After **End**, **SIF** is displayed.

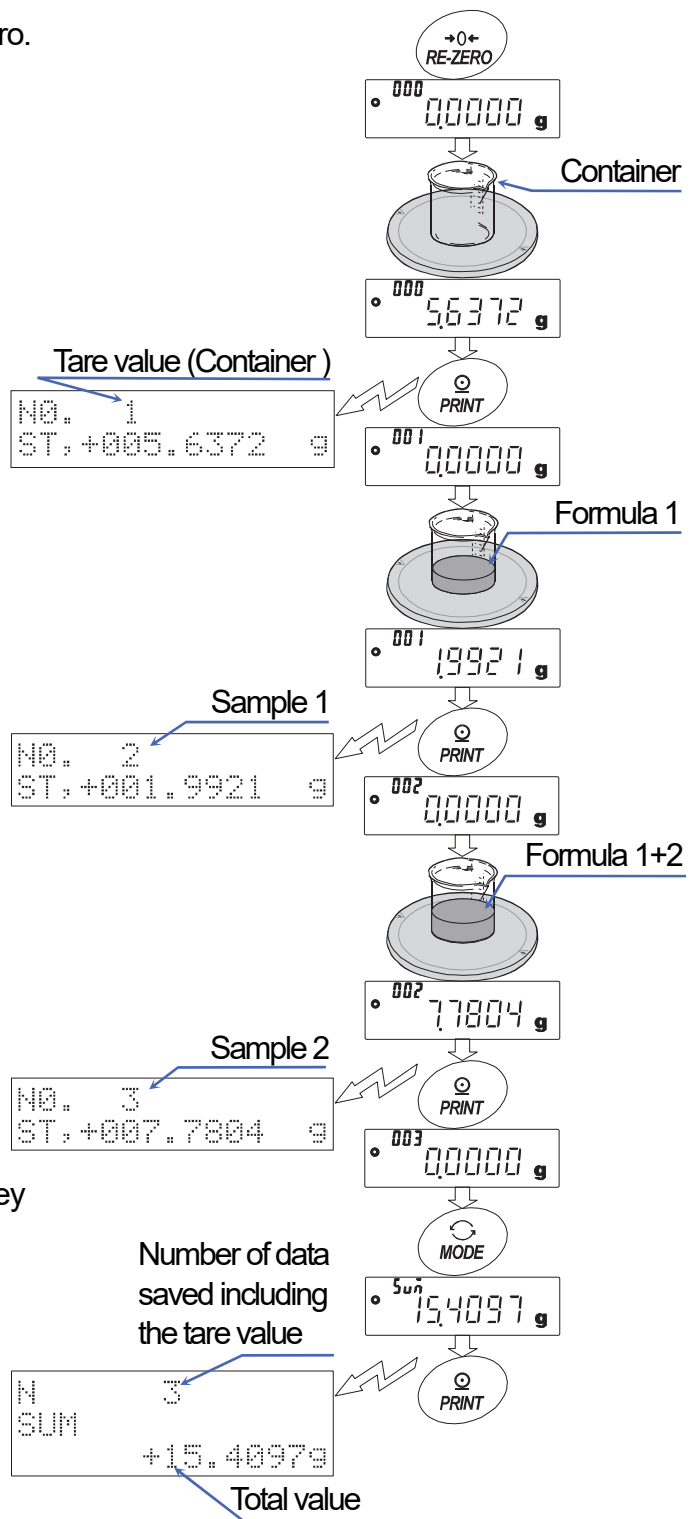
Returning to the Weighing Mode

- 6 Press the **[CAL]** key to return to the weighing mode.



6.6.2. Using the Statistical Calculation Mode

- 1 Press the **RE-ZERO** key to set the display to zero.
- 2 Place a container on the weighing pan.
Press the **PRINT** key to cancel the weight (tare). The balance displays **0.0000 g**. (Storing the tare value)
The tare value data is output when the peripheral output equipment is connected.
- 3 Weigh formula 1 and press the **PRINT** key.
The balance displays **0.0000 g**. (Storing the weight value of formula 1)
The weight value data is output when the peripheral output equipment is connected.
- 4 Weigh formula 2 and press the **PRINT** key.
The balance displays **0.0000 g**. (Storing the weight value of formula 2)
The weight value data is output when the peripheral output equipment is connected.
- 5 When there are some more formulae to be added, repeat step 4.
- 6 After mixing is complete, press the **MODE** key to display the statistical results.
- 7 Press the **PRINT** key to output the number of data saved including the tare value and the total weight.



Output example

No. 1		
ST, +005.6372	g	Tare value
No. 2		
ST, +001.9921	g	Formula 1
No. 3		
ST, +007.7804	g	Formula 2
N	3	
SUM	+15.4097	g Total value

7. Response Adjustment

This function stabilizes the weight value, reducing the influence on weighing that is caused by drafts and vibration at the place where the balance is installed.

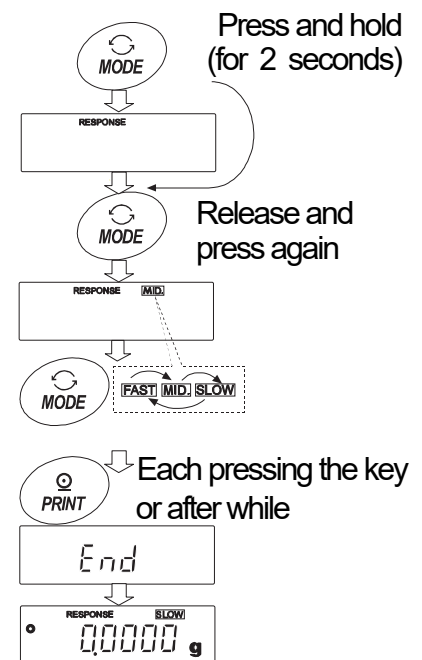
The function has three stages as follows and can be changed by simple key operation.

Indicator	Description
FAST	Fast response, but prone to drafts and vibration. Good for target weighing.
MID.	
SLOW	Slow response, but strong against drafts and vibration Good for weighing which requires a stable display.



Operation

- 1 Press and hold (about 2 seconds) the **[MODE]** key until **[RESPONSE]** is displayed. And then, release the key.
- 2 Press the **[MODE]** key to select a rate of the response adjustment. Either **[FAST]**, **[MID.]** or **[SLOW]** can be selected.
- 3 After a few seconds of inactivity, or when the **[PRINT]** key is pressed, the balance displays **[End]**. Then, it returns to the weighing mode and displays the updated response indicator.



Note

- **Setting the response rate automatically changes the "Condition (Cond)" and "Display refresh rate (SPd)" parameters of "Environment, Display (bRSFnC)" in the function table, as shown below:**

Indicator	Cond (Condition)	SPd (Display refresh rate)
FAST	0	1 (Approx. 10 times/second)
MID.	1	0 (Approx. 5 times/second)
SLOW	2	0 (Approx. 5 times/second)

When the balance is to be used with other setting combinations, set each parameter in the function table.

8. Calibration (Sensitivity Adjustment/Sensitivity Check)

8-1. Calibration Mode

Since the balance's resolution is high, weighing values may change due to gravity and daily environmental changes. It is necessary to perform calibration (sensitivity adjustment) with the weight in order to keep the weighing values from changing even if gravity or the environment changes. Calibrate the balance if it is installed for the first time or relocated, or when the weighing values change significantly in daily inspection.

Calibration means to adjust the weighing value of the balance using the reference weight or internal mass. Calibration test means to weigh with the reference weight and compare how much the result deviates from the reference value. (Calibration test does not perform adjustment.)

Calibration (Sensitivity Adjustment)

Calibration using the internal mass Using the internal mass, adjust the balance with a single touch. (Only for the HR-AZ series)

Calibration using an external weight Using an external weight, adjust the balance.

Calibration Test (Sensitivity Check)

Calibration test using the internal mass Checks the accuracy of weighing using the internal mass and outputs the result. (Only for the HR-AZ series)
* No adjustment is made.

Calibration test using an external weight Checks the accuracy of weighing using an external weight (target weight) and outputs the result.
* No adjustment is made.

Cautions

- When calibrating, be sure to install the provided large breeze break.
- Do not allow vibration, drafts, or temperature change to affect the balance during calibration. Besides periodic calibration and before each use, perform calibration when:
 - The balance is installed for the first time.
 - The balance has been moved.
 - The ambient environment has changed.
- Do not allow vibration or drafts to affect the balance during calibration.
- To output the GLP/GMP compliant report using the RS-232C serial interface, set "GLP output (*info*)" of "Data output (*dout*)". For details, refer to "10. Function Table". To display the GLP output, a printer or personal computer is required.
- Calibration test is available only when "GLP output (*info*)" of "Data output (*dout*)" is set to "1", "2" or "3".

Caution on Using an External Weight

- The accuracy of an external weight will influence the accuracy of weighing. Select an appropriate weight as listed below:

Model	Usable Weight	Adjustable Range
HR-250AZ / HR-250A	250 g, 200 g , 100 g, 50 g	-0.0150 g to +0.0150 g
HR-251AZ / HR-251A	250 g, 200 g , 100 g, 50 g, 20 g	
HR-150AZ / HR-150A	150 g, 100 g , 50 g	
HR-100AZ / HR-100A	100 g , 50 g	

The calibration weight in bold type: factory setting.

The calibration weight value can be adjusted within the range above.

Display



- This indicator means "the balance is measuring data". Do not allow vibration or drafts to affect the balance while this indicator is displayed.

8-2. Calibration Using the Internal Mass (One-Touch Calibration, Only for the HR-AZ Series)

This function calibrates the balance using the internal mass. The only operation required is to press the **CAL** key.

Notes

- **Level the balance by adjusting the leveling feet and confirm that the bubble is in the center of the spirit level.**
- **Poor level adjustment may cause a calibration error while using the internal mass.**

Operation

- 1 Connect the AC adapter and warm up the balance for at least one hour with nothing on the weighing pan.
- 2 Place the provided large breeze break on the balance and press the **CAL** key.
- 3 The balance displays **CAL in** and performs calibration using the internal mass. Do not allow vibration or drafts to affect the balance.
- 4 The balance displays **End** after calibration. If the "GLP output (inFd)" parameter of the function table is set to "1" or "2", the balance displays **GLP** and outputs "Calibration Report" using the RS-232C interface or stores the data in memory. For details on the calibration report format, refer to "11-2. GLP Report".
- 5 The balance will automatically return to the weighing mode after calibration.

About the Internal Mass

The mass of the internal mass may change due to corrosion or other damage caused by the operating environment, or due to aging. Check the internal mass periodically. Correct the internal mass value as necessary. For details, refer to "8-4. Correcting the Internal Mass Value 1 (Only for the HR-AZ Series)" and "8-5. Correcting the Internal Mass Value 2 (Only for the HR-AZ Series)".

To maintain the weighing accuracy, perform the internal mass value correction periodically.

8-3. Calibration Test Using the Internal Mass (Only for the HR-AZ Series)

- This function tests the balance accuracy using the internal mass. .
- Calibration test does not perform calibration.
- This is available only when the "GLP output ($inF0$)" parameter is set to "1", "2" or "3".

1 Connect the AC adapter and warm up the balance at least one hour.

2 Refer to "10. Function Table" to set "GLP output ($inF0$)" to "1" or "2"

3 Press and hold the **CAL** key until **CC in** is displayed, then release the key.

4 The balance measures the zero point.
Prevent vibration and drafts to affect the balance.

5 The measured zero point data is displayed.

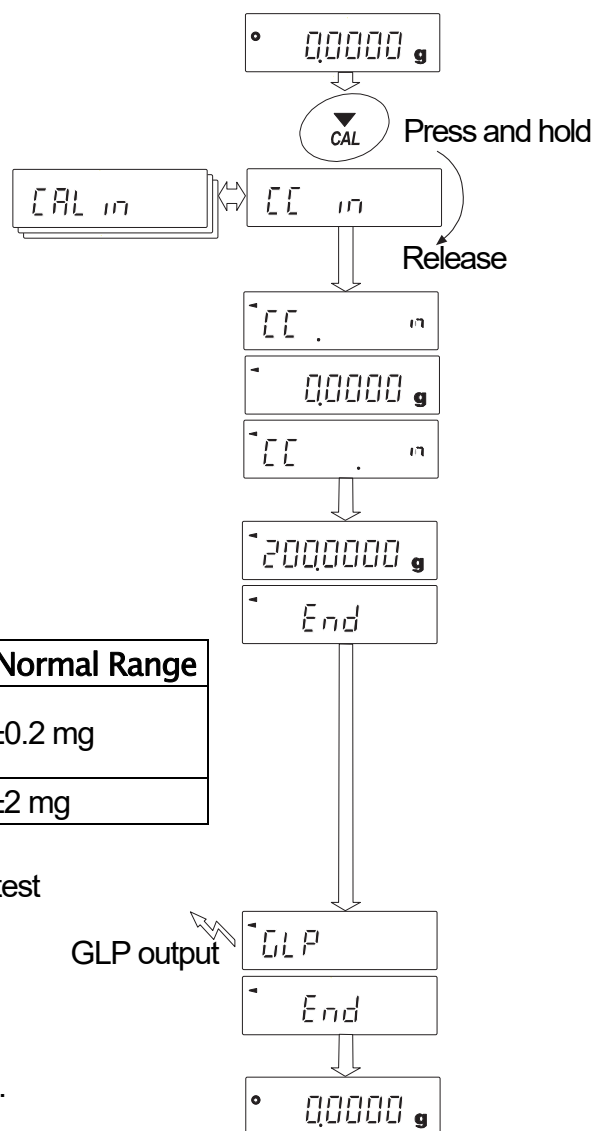
6 The balance measures the internal mass.
Prevent vibration and drafts to affect the balance.

7 The value of the internal mass is displayed.
The normal range of the value is as follows:

Model	The Internal Mass	The Normal Range
HR-100AZ / HR-150AZ	100.0000 g	±0.2 mg
HR-250AZ	200.0000 g	
HR-251AZ	200.0000 g	±2 mg

8 If GLP output is set, **GLP** is displayed, the calibration test report is output to the RS-232C interface. Refer to "GLP output ($inF0$)" of the function table, "11-2. GLP Report".
End is displayed after the calibration.

9 The balance automatically returns to the weighing mode.



8-4. Correcting the Internal Mass Value 1 (Only for the HR-AZ Series)

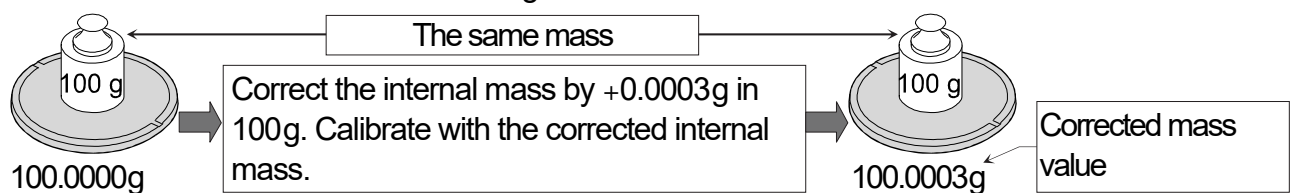
- The HR-AZ series balance can correct the internal mass value using an external weight..
Method 1: Calibrate the balance using the internal mass. Measure the external weight. Calculate the correction value. And store it in the balance.
- The adjustable range of the internal mass value is as follows:

Model	Correction Reference Value	Adjustable Range
HR-100AZ	100 g	-0.0150 g to +0.0150 g
HR-150AZ	100 g	
HR-250AZ / HR-251AZ	200 g	

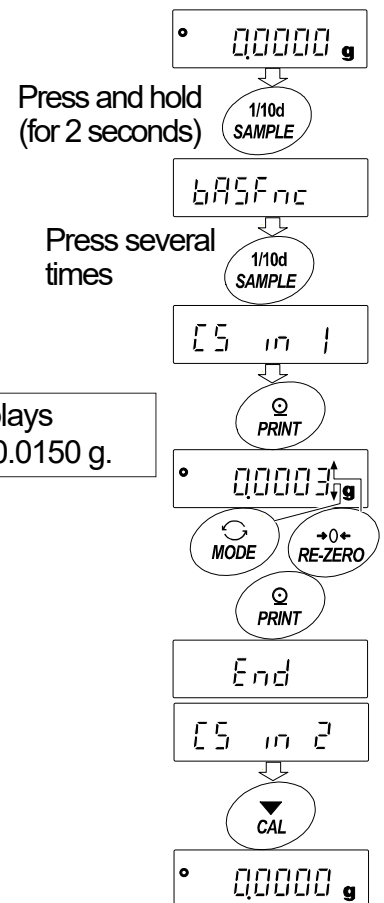
Operation

Example : Correcting the weight value by +0.0003 g in 100 g using the **HR-150AZ**.

If correcting the weight value by +0.0003 g in 50 g, use the correction value of +0.0006 g as the correction reference value is 100 g.



- 1 Perform calibration using the internal mass (one-touch calibration). Place the external weight on the weighing pan to obtain the correction value.
- 2 With the factory setting, the balance cannot correct the internal mass value. Refer to "9. Function Switch and Initialization" and set the internal mass value correction switch to 1.
- 3 In the weighing mode, press and hold the **[SAMPLE]** key to display **bASFnC**.
- 4 Press the **[SAMPLE]** key several times until **[5 in 1]** is displayed. If **[5 in 1]** is not displayed, perform step 2.
- 5 Press the **[PRINT]** key.
Correct the internal mass value using the following keys:
[RE-ZERO] key To increase the value by one.
[MODE] key To decrease the value by one.
[PRINT] key To store the correction value and display the next menu item of the function table.
[CAL] key To cancel the operation and return to the weighing mode.
- 6 Press the **[CAL]** key to return to the weighing mode.
- 7 Press the **[CAL]** key to perform calibration using the internal mass.
- 8 Confirm that the internal mass value has been corrected properly by placing the external weight on the weighing pan.
If the internal mass value has not been corrected properly, repeat the procedure to adjust the correction value.



8-5. Correcting the Internal Mass Value 2 (Only for the HR-AZ Series)

- The HR-AZ series balance can correct the internal mass value using an external weight.
Method 2: Calibrate the balance using the external weight. The balance performs automatic calibration using the internal mass, corrects the internal mass value and stores it in the balance. The corrected mass value is maintained in non-volatile memory even if the AC adapter is removed.
- The usable calibration weights and the adjustable range are as follows:

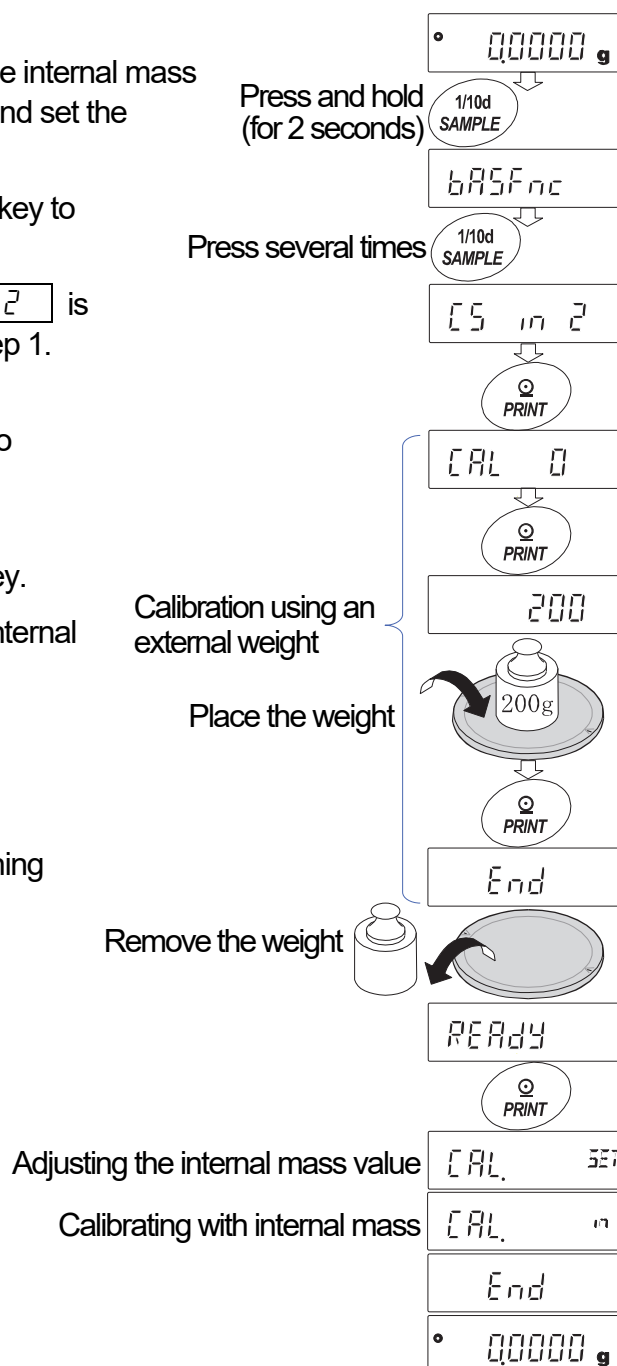
Model	Correction Reference Value	Adjustable Range
HR-100AZ	100 g , 50 g	-0.0150 g to +0.0150 g
HR-150AZ	150 g, 100 g , 50 g	
HR-250AZ	250 g, 200 g , 100 g, 50 g	
HR-251AZ	250 g, 200 g , 100 g, 50 g, 20 g	

The calibration weight in bold type: factory setting.

The calibration weight value can be adjusted within the range above.

Operation

- 1 With the factory setting, the balance can not correct the internal mass value. Refer to "9. Function Switch and Initialization" and set the internal mass value correction switch to 1.
- 2 In the weighing mode, press and hold the **[SAMPLE]** key to display **[bASFnC]**.
- 3 Press the **[SAMPLE]** key several times until **[CS in 2]** is displayed. If **[CS in 2]** is not displayed, perform step 1.
- 4 Press the **[PRINT]** key to display **[CAL 0]**.
Refer to "8-6. Calibration Using an External Weight", to perform the calibration.
- 5 After calibration, remove the weight.
The balance displays **[READY]**. Press the **[PRINT]** key.
- 6 **[CAL SET]** is displayed and the balance corrects the internal mass value automatically
- 7 After correcting the internal mass value, the balance displays **[CAL in]** and performs the calibration automatically using the corrected internal mass value.
- 8 The balance displays **[End]** and returns to the weighing mode.
- 9 Confirm that the internal mass value has been corrected properly by placing the external weight used for the correction procedure on the weighing pan.
If the internal mass value has not been corrected properly, repeat the procedure to adjust the correction value.

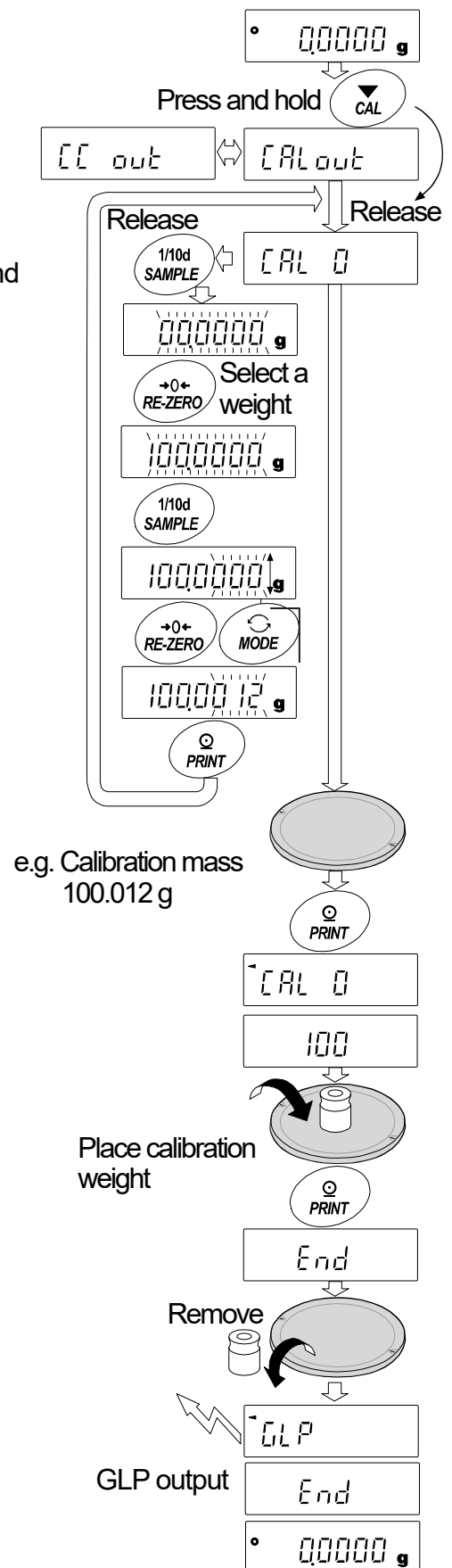


8-6. Calibration Using an External Weight

This function calibrates the balance using an external weight.

Operation

- 1 Connect the AC adapter and warm up the balance for at least one hour with nothing on the pan.
- 2 Press and hold the **[CAL]** key until **[CALout]** is displayed, and then release the key.
- 3 The balance displays **[CAL 0]**.
 - If you want to change the calibration weight (a list of usable weights is shown on page 29), press the **[SAMPLE]** key and go to step 4.
 - If you use the calibration weight value stored in the balance, go to step 5.
- 4 Specify the calibration weight value as follows:
 - [SAMPLE]** key To switch the display condition to: "All of the segments blinking" (target weight selection mode) or "The last three digits blinking" (value adjustment mode).
 - [RE-ZERO]** key ... To increase the value.
 - [MODE]** key To decrease the value.
 - To select the calibration weight or adjust the value.
 - [PRINT]** key To store the new weight value. Even if the AC adapter is removed, the data is maintained in non-volatile memory.
 - [CAL]** key To cancel the operation and return to **[CAL 0]**.
- 5 Confirm that there is nothing on the pan and press the **[PRINT]** key. The balance measures the zero point. Do not allow vibration or drafts to affect the balance. The balance displays the calibration weight value.
- 6 Place the displayed calibration weight on the pan and press the **[PRINT]** key. The balance measures the calibration weight. Do not allow vibration or drafts to affect the balance.
- 7 The balance displays **[End]**. Remove the weight from the pan.
- 8 When the GLP output is set, the balance displays **[GLP]** and outputs "Calibration Report".
- 9 The balance will automatically return to the weighing mode.
- 10 Place the calibration weight on the pan and confirm that the value displayed is within ± 2 digits of the specified value. If it is not within the range, check the ambient conditions such as drafts and vibration, also check the weighing pan. Then, repeat steps 2 to 9.

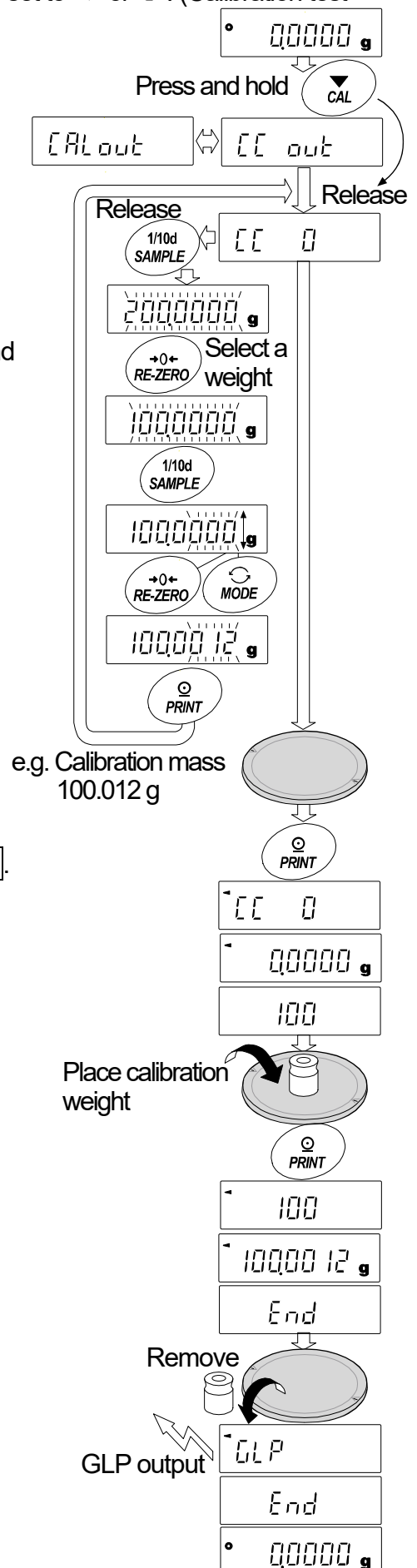


8-7. Calibration Test Using an External Weight

This function tests the balance weighing accuracy using an external weight and outputs the result. This is available only when the "GLP output (INF0)" parameter is set to "1" or "2". (Calibration test does not perform calibration.)

Operation

- 1 Connect the AC adapter and warm up the balance for at least one hour with nothing on the pan.
- 2 Press and hold the **CAL** key until **CC out** is displayed, and then release the key.
- 3 The balance displays **CC 0**.
 - If you want to change the target weight (a list of usable weights is shown on page 29), press the **SAMPLE** key and go to step 4.
 - If you use the target weight value stored in the balance, go to step 5.
- 4 Specify the target weight value as follows:
 - SAMPLE** key To switch the display condition to: "All of the segments blinking" (target weight selection mode) or "The last three digits blinking" (value adjustment mode).
 - RE-ZERO** key ... To increase the value.
 - MODE** key To decrease the value.
 - To select the target weight or adjust the value.
 - PRINT** key To store the new weight value. Even if the AC adapter is removed, the data is maintained in non-volatile memory.
 - CAL** key To cancel the operation and return to **CC 0**.
- 5 Confirm that there is nothing on the pan and press the **PRINT** key. The balance measures the zero point and displays the measured value. Do not allow vibration or drafts to affect the balance. The balance displays the target weight value.
- 6 Place the displayed target weight on the pan and press the **PRINT** key. The balance measures the target weight and displays the measured value. Do not allow vibration or drafts to affect the balance.
- 7 The balance displays **End**.
Remove the weight from the pan.
- 8 When the GLP output is set, the balance displays **GLP** and outputs "Calibration Test Report".
- 9 The balance will automatically return to the weighing mode.



9. Function Switch and Initialization

9-1. Permit or Inhibit

The balance stores parameters that must not be changed unintentionally. There are two switches for the purpose of protecting these parameters. You can select either the "permit" or "inhibit" switch. The "inhibit" switch protects parameters against unintentional operations.

Changing the function switch, can be restricted by the password function. When using balance software version 1.860 or later, the function switch and password function can be used to restrict calibration (sensitivity adjustment) functions.

The function switch types are as follows:

	HR-AZ series	HR-A series
Function switch	<input type="checkbox"/> Function Table <input type="checkbox"/> Calibration Using the Internal Mass <input type="checkbox"/> Calibration Using an External Weight <input type="checkbox"/> Internal Mass Value Correction	<input type="checkbox"/> Function Table <input type="checkbox"/> Calibration Using an External Weight

Operation

- 1 Press the **ON:OFF** key to turn off the display.
- 2 While pressing and holding the **PRINT** key and the **SAMPLE** key, press the **ON:OFF** key. The balance displays **P5**.
- 3 Press the **PRINT** key. Then the balance displays the function switches.
- 4 Set the switches using the following keys.
 - SAMPLE** key To select the switch to change the parameter. The selected switch blinks.
 - RE-ZERO** key ... To change the parameter of the switch selected.
 - 0**:To inhibit changes. **1**:To permit changes
 - PRINT** key To store the new parameter and return to the weighing mode.
 - CAL** key To cancel the operation (**Err** is displayed.)
 - To return to the weighing mode, press the **CAL** key once again.

Switches (HR-AZ Series)

R-00111

(The display shown left indicates the factory settings)

Function Table

- To inhibit changes on the function table
- To permit changes on the function table

Calibration Using the Internal Mass (One-Touch Calibration)

- Software versions 1.43 to 1.85: To inhibit calibration using the internal mass
- Software versions 1.860 and later:

PASS To inhibit calibration using the internal mass

PASS 1,2 To inhibit calibration using the internal mass when a user (USER) or a guest (GUEST) is logged in.*1

- To permit calibration using the internal mass

Calibration Using an External Weight

- Software versions 1.43 to 1.85: To inhibit calibration using an external weight
- Software versions 1.860 and later:

PASS To inhibit calibration using an external weight

PASS 1,2 To inhibit calibration using an external weight when a user (USER) or a guest (GUEST) is logged in.*1

- To permit calibration using an external weight

Not Used

Internal Mass Value Correction

- To inhibit correction
- To permit correction

*1 The operation is permitted when logged in as an administrator (ADMIN)

Switches (HR-A Series)

R-00101

(The display shown left indicates the factory settings)

Function Table

- To inhibit changes on the function table
- To permit changes on the function table

Not Used

Calibration Using An External Weight

- Software versions 1.43 to 1.85: To inhibit calibration using an external weight
- Software versions 1.860 and later:

PASS To inhibit calibration using an external weight

PASS 1,2 To inhibit calibration using an external weight when a user (USER) or a guest (GUEST) is logged in.*1

- To permit calibration using an external weight

Not Used

Not Used

*1 The operation is permitted when logged in as an administrator (ADMIN)

9-2. Initializing the Balance

This function returns the following parameters to factory settings.

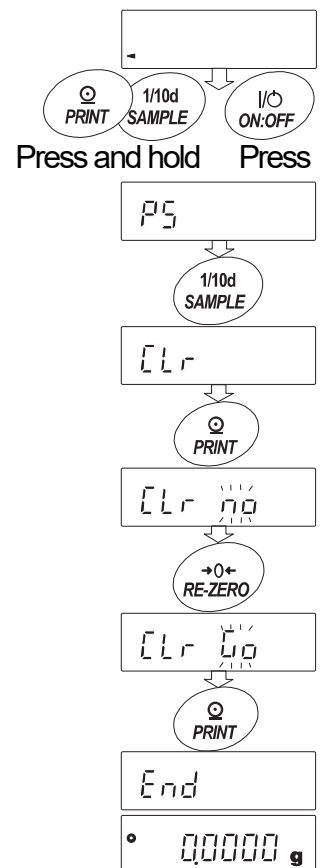
- Calibration data
- Function table
- The sample unit mass value (counting mode), 100% reference mass value (percent mode)
- External calibration weight
- Function switch settings
- Statistical data
- Internal mass value (Only for the HR-AZ series)

Note

- **Be sure to calibrate the balance after initialization.**

Operation

- 1 Press the **ON:OFF** key to turn off the display.
While pressing and holding the **PRINT** key and the **SAMPLE** key, press the **ON:OFF** key. The balance displays **PS**.
- 2 Press the **SAMPLE** key to display **[Lr]**.
- 3 Press the **PRINT** key.
To cancel this operation, press the **CAL** key.
- 4 Press the **RE-ZERO** key.
- 5 Press the **PRINT** key to initialize the balance.
The balance will automatically return to the weighing mode.



10. Function Table

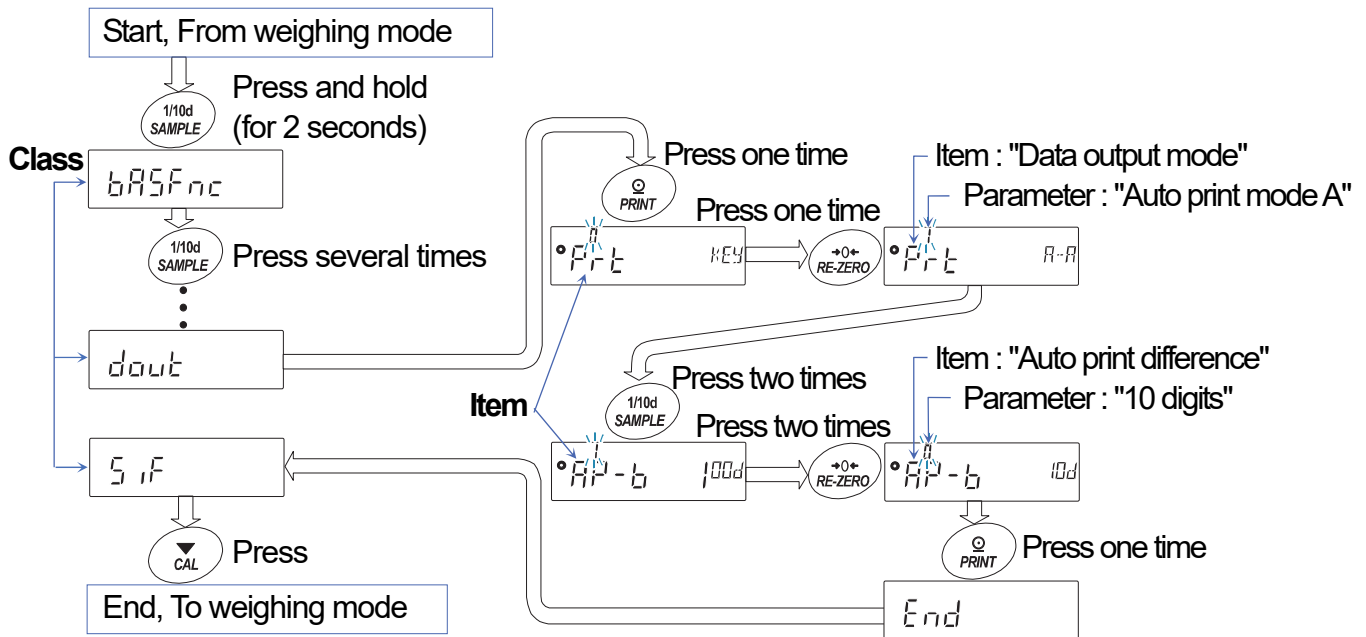
The function table reads or rewrites the parameters that are stored in the balance. These parameters stored, even if the AC adapter is removed, are maintained in non-volatile memory.

10-1. Structure and Sequence of the Function Table

The function table menu consists of two layers. The first layer is the "Class" and the second layer is the "Item". Each item stores a parameter.

Example

This example sets "Auto print mode A (Prt i)" for "Data output mode (Prt)" and "10 digits (RP-b 0)" for "Auto print difference (RP-b)".



10-2. Displays and Keys

Display/Key	Description
	The symbol indicates that the parameter displayed is in effect.
	When pressed and held in the weighing mode, enters the function table mode. Selects the class or item in the function table mode.
	Changes the parameter.
	When a class is displayed, moves to an item in the class. When an item is displayed, stores the new parameter and displays the next class.
	When an item is displayed, cancels the new parameter and displays the next class. When a class is displayed, exits the function table mode and returns to the weighing mode.

10-3. Details of the Function Table

Class	Item and Parameter	Description		
bRSFnC Environment Display	Cond Condition	0	Fast response, sensitive value <input type="checkbox"/> FAST	
		1	<input type="checkbox"/> MID.	
		2	Slow response, stable value <input type="checkbox"/> SLOW	
	St-b Stability band width	0	Stable range is ±1 digit	The stabilization indicator illuminates when the display fluctuation is within the range. With "Hold I", sets the stabilization range.
		1		
		2	Stable range is ±3 digits	
	Hold Hold function	0	OFF	Holds the display when stable in animal mode. With "Hold I", <input type="checkbox"/> HOLD turns on.
		1	ON	
	Zrc Zero tracking	0	OFF	Keeps zero display by tracking zero drift.
		1	Normal	
		2	Strong	
		3	Very strong	
	SPd Display refresh rate	0	Approx. 5 times/second	Period to refresh the display
		1	Approx. 10 times/second	
	Pnt Decimal point	0	Point (.)	Decimal point format
1		Comma (,)		
P-on Auto display-ON	0	OFF	Turns on the weighing mode display when the AC adapter is connected.	
	1	ON		
P-off Auto display-OFF	0	OFF	Turns off the display after 10 minutes of inactivity.	
	1	ON (10 minutes)		
rnG Display at start	0	Displays	Select whether or not to display the minimum weighing value at weighing start.	
	1	Does not display		
bEEP Beep	0	Does not sound	Select whether or not to sound the beep when operating on keys.	
	1	Sounds		
[L Add]* Clock		Refer to "10-9. Clock and Calendar Function (Only for the HR-AZ Series)".	Confirms and sets the time and date. The time and date are added to output data.	
[P Fnc Comparator	[P Comp mode	0	No comparison	
		1	Comparison, excluding "near zero" when stable value or overloaded	
		2	Comparison, including "near zero" when stable value or overloaded	
		3	Continuous comparison, excluding "near zero"	
		4	Continuous comparison, including "near zero"	
	bEEP- LO buzzer	0	OFF	
		1	ON	
bEEP- OK buzzer	0	OFF		
	1	ON		
bEEP- HI buzzer	0	OFF		
	1	ON		
[P H, Upper limit		Refer to "10-10. Comparator Function".		
[P Lo Lower limit				

▪ : Factory setting Digit is a unit of minimum weighing value

* : Only for the HR-AZ series

Class	Item and Parameter	Description
<i>dout</i> Data output	<i>Prt</i> Data output mode	0 Key mode Accepts the PRINT key only when the display is stable.
		1 Auto print mode A (Reference = zero) Outputs data when the display is stable and conditions of
		2 Auto print mode B (Reference = last stable value) <i>AP-P</i> , <i>AP-b</i> and the reference value are met.
		3 Stream mode Outputs data at the specified display refresh rate. e.g.: Used when connected to the AD-8920A remote display.
		4 Key mode B (Immediately) Accepts the PRINT key regardless of the display condition.
		5 Key mode C (When stable) Accepts the PRINT key immediately when the display is stable, or waits for the display to be stable when not.
		6 Interval output mode Uses interval output mode.
	<i>AP-P</i> Auto print polarity	0 Plus only Displayed value > Reference
		1 Minus only Displayed value < Reference
		2 Both Regardless of displayed value
	<i>AP-b</i> Auto print difference	0 10 digits
		1 100 digits
		2 1000 digits
	<i>int</i> Interval time	0 Every display refresh
		1 2 seconds
		2 5 seconds
		3 10 seconds
		4 30 seconds
		5 1 minute
		6 2 minutes
		7 5 minutes
		8 10 minutes
	<i>S-t-d</i> Time/Date output	0 No output
		1 Time only
		3 Date only
		4 Time and date
	<i>S-id</i> ID number output	0 No output
		1 Output Selects whether or not the ID number is output.
	<i>PUSE</i> Data output pause	0 No pause
		1 Pause (1.6 seconds) Selects the data output interval.
<i>RL-F</i> Auto feed	0 Not used	
	1 Used Selects whether or not automatic feed is performed.	
<i>info</i> GLP output	0 No output	
	1 AD-8121 format	
	2 General (balance clock data) Selects the output format for the GLP/GMP compliant report. *1: Can be set with balance software version 1.860 or later	
	3 General (external device clock data) *1	
<i>Rr-d</i> Zero after output	0 Not used	
	1 Used Adjusts zero automatically after data is output	

- : Factory setting Digit is a unit of minimum weighing value
- * : Only for the HR-AZ series

Class	Item and Parameter	Description		
SIF Serial interface	bPS Baud rate	0	600 bps	
		1	1200 bps	
		2	2400 bps	
		3	4800 bps	
		4	9600 bps	
		5	19200 bps	
	btPr Data bit, parity bit	0	7 bits, even	
		1	7 bits, odd	
		2	8 bits, none	
	CrLF Terminator	0	CR LF	CR: ASCII code 0Dh LF: ASCII code 0Ah
		1	CR	
	tYPE Data format	0	A&D standard format	Refer to "10-6. Description of the Item "Data Format"".
		1	DP format	
		2	KF format	
3		MT format		
4		NU format		
5		CSV format		
t-UP Timeout	0	No limit	Selects the wait time to receive a command.	
	1	1 second		
ErCd AK, Error code	0	No output	AK:ASCII code 06h	
	1	Output		
dS Fnc Density function	Ldin Liquid density input	0	Water temperature	Available only when the density mode is selected and stored in the unit selection mode. Refer to "13. Density Measurement (Specific Gravity)".
		1	Liquid density	
	dS Selection of a sample	0	Density measurement of a solid	
		1	Density measurement of a liquid	
nLt Programmable-unit (Multi-unit)	Sets an arbitrary coefficient.		Available only when programmable-unit mode is selected.	
Unit Unit	Refer to "5. Weighing Units".			
id ID number	Refer to "11. ID Number and GLP Report"			

▪ : Factory setting Digit is a unit of minimum weighing value

* : Only for the HR-AZ series

Caution

- The balance may not transmit the data completely at the specified refresh rate, depending on the baud rate.

Class	Item and Parameter	Description
<i>APP Fnc</i> Application	<i>APP</i> Application function	▪ 0 Normal weighing mode
		1 Capacity indicator
		2 Statistical calculation mode
	<i>SEPF</i> Statistical function mode output items	▪ 0 Number of data, sum
		1 Number of data, sum, maximum, minimum, average, range (maximum-minimum)
		2 Number of data, sum, maximum, minimum, average, range (maximum-minimum), standard deviation, coefficient of variation
<i>Loc Fnc</i> Password function	<i>PASS</i> Password function *2	▪ 0 No used
		1 Used (limited weighing operation)
		2 Used (basic weighing is possible)
<i>Loc nq</i> Password	<i>ADMIN</i>	Password input by the administrator
	<i>USER 0 1</i> to	Password input by User 1 to
	<i>USER 10</i>	Password input by User 10 *3
<i>[5 in 1 *</i> Internal mass value correction: Method 1	Refer to "8. Calibration (Sensitivity Adjustment/Sensitivity Check)".	Displayed only when the function switch (internal mass value correction switch) is set to 1
<i>[5 in 2 *</i> Internal mass value correction: Method 2		

▪ : Factory setting Digit is a unit of minimum weighing value

* : Only for the HR-AZ series

*2: With the software versions 1.70 to 1.85, only No used (0) / Used (1) can be selected.
If the software version is 1.860 or later, No used (0) / Used (1) / Used (2) can be selected.

*3: Available with the software version 1.860 or later.
With the software versions 1.70 to 1.85, one password (equivalent to the administrator password) can be registered.

10-4. Description of the Class "Environment, Display"

Condition (Cond)

$\text{Cond } 0$



$\text{Cond } 2$

This parameter is for sensitive response to the fluctuation of a weight value. Used for powder target weighing, weighing a very light sample or when quick response weighing is required. After setting, the balance displays FAST.

This parameter is for stable weighing with slow response. Used to prevent a weight value from drifting due to vibration or drafts. After setting, the balance displays SLOW.

Note

- With "Hold function (*Hold*)" set to "ON (\uparrow)", this item is used to set the averaging time.

Stability Band Width (St-b)

This item controls the width to regard a weight value as a stable value. When the fluctuation per second is less than the parameter, the balance displays the stabilization indicator and outputs the data. The parameter influences the "Auto print mode".

$\text{St-b } 0$



$\text{St-b } 2$

This parameter is for sensitive response of the stabilization indicator. Used for exact weighing.

This parameter ignores slight fluctuation of a weight value. Used to prevent a weight value from drifting due to vibration or drafts.

Note

- With "Hold function (*Hold*)" set to "ON (\uparrow)", this item is used to set the stabilization range.

Hold Function (*HoLd*) (Animal Weighing Mode)

This function is used to weigh a moving object such as an animal. When the weight data is 0.0200 g or greater and the display fluctuation is within the stabilization range for a fixed period of averaging time, the processing indicator illuminates and the balance displays the average weight of the animal. When the animal is removed from the weighing pan, the display returns to zero automatically.

This function is available only when the hold function parameter is set to "1" (the animal mode indicator HOLD illuminates) and any weighing unit other than the counting mode is selected.

The stabilization range and averaging time are set in "Condition (*Cond*)" and "Stability band width (*St-b*)".

Weighing Range	Averaging Time		Stabilization Range			
0.0200 g or greater	<i>Cond 0</i>	2 seconds	Faster	<i>St-b 0</i>	Lesser	6.25%
	<i>Cond 1</i>	4 seconds	↕	<i>St-b 1</i>	↕	12.5%
	<i>Cond 2</i>	8 seconds	More accurate	<i>St-b 2</i>	Greater	16.7%

Zero Tracking (*Trc*)

This function tracks zero point drift caused by changes in the environment and stabilizes the zero point.

When the weight data is only a few digits, turn the function off for accurate weighing.

Note

- Digit indicates a unit of minimum weighing value.

Trc 0 The tracking function is not used. Used for weighing a very light sample.

Trc 1 The tracking function is used. Normal zero tracking.

Trc 2 The tracking function is used. Strong zero tracking.

Trc 3 The tracking function is used. Very strong zero tracking.

Display Refresh Rate (*SPd*)

Period to refresh the display. This parameter influences "Stream mode" along with "Baud rate" and "Data output pause".

Note

- **This item is selected automatically when the response rate is changed.**

Decimal Point (*Pnt*)

The decimal point format can be selected.

Auto Display-On (*P-on*)

When the AC adapter is connected, the display is automatically turned on in the weighing mode, without the ON:OFF key operation. Used when the balance is built into an automated system. One hour warm up is necessary for accurate weighing.

Auto Display-Off (*P-off*)

This function automatically turns off the balance display, if the weighing value is 0.5 g or less and the balance is in the no key operation or no command has been received for approx. 10 minutes.

(The balance has the same power requirement in the weighing state as in the off state {standby mode}.)

10-5. Description of the Item "Data Output Mode"

The parameter setting of the "Data output mode (*Prt*)" applies to the performance when the data is transmitted using the RS-232C serial interface.

Key Mode

When the PRINT key is pressed with the stabilization indicator turned on, the balance outputs the weight data and the display blinks one time.

Required setting *dout* *Prt* 0 Key mode

Auto Print Modes A and B

When the displayed value is stable and the conditions of "Auto print polarity", "Auto print difference" and reference value are met, the balance outputs the weight data.

When the PRINT key is pressed with the stabilization indicator turned on, the balance outputs the data and the display blinks one time.

Mode A:

Example "For outputting the weight value each time a sample is added (or removed), with "*Pr-d*" set to "1" (to adjust zero after the data is output)."

Required setting *dout* *Prt* 1 Auto print mode A (reference = zero)
 dout *AP-P* Auto print polarity
 dout *AP-b* Auto print difference
 dout *Pr-d* 1 Adjusts zero automatically.

Mode B:

Example "For outputting the weight value while a sample is added."

Required setting *dout* *Prt* 2 Auto print mode B (reference = last stable value)
 dout *AP-P* Auto print polarity
 dout *AP-b* Auto print difference

Stream Mode

The balance outputs the weight data at the specified display refresh rate, regardless of the display condition. The display does not blink in this mode.

Example "For monitoring data on the AD-8920A remote display

Required setting *dout* *Prt* 3 Stream mode
 bRSFnc *SPd* Display refresh rate
 SIF *bPS* Baud rate

Caution

- The balance may not transmit the data completely at the specified display refresh rate and baud rate. Set the baud rate higher.

Key Mode B

When the PRINT key is pressed, whether the stabilization indicator is displayed or not, the balance outputs the weighing data immediately. The display does not blink in this mode.

Required setting *dout* *Prt* 4 Key mode B

Key Mode C

When the **PRINT** key is pressed with the stabilization indicator turned on, the balance outputs the weight data. When the stabilization indicator is not on, the balance waits for the indicator to turn on and outputs the data. The balance blinks one time in this mode.

Required setting *dout* *Prt 5* Key mode C

Interval Output Mode

Whether the stabilization indicator is displayed or not, the balance outputs the weighing value periodically and the displayed weighing value blinks one time to notify that it had been output (or stored).

When the **PRINT** key is pressed, the balance starts to output the weight data at a preset interval time. When the **PRINT** key is pressed again, the balance stops outputting the weight data.

Example "For outputting the weight data periodically."

Required setting *dout* *Prt 6* Interval output mode
 dout *int* Interval time

Caution

- The balance may not transmit the data completely at the specified interval times and baud rate. Set the baud rate higher.

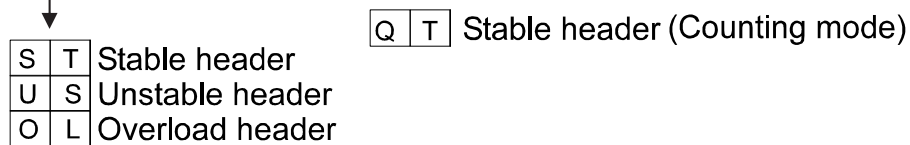
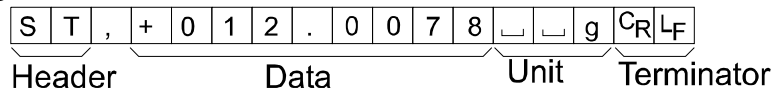
10-6. Description of the Item "Data Format"

A&D Standard Format

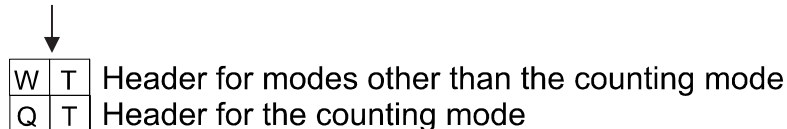
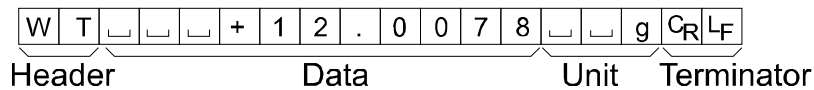
5 IF TYPE 0

This format is used when the peripheral equipment can receive the A&D format. With the AD-8127 printer, use the external key printing mode, manual printing mode, auto printing mode or interval printing mode. With the AD-8121B printer, use MODE 1 or MODE 2.

- This format consists of fifteen characters excluding the terminator.
- A header of two characters indicates the balance condition.
- The polarity sign is placed before the data with the leading zeros. If the data is zero, the plus sign is used.
- The unit, consisting of three characters, follows the data.
- Output example:



- Print example:



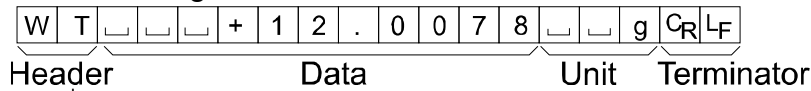
DP (Dump Print) Format

SIF TYPE 1

This format is suitable for the peripheral equipment that prints the received data as it is.

With the AD-8127 printer, use the dump printing mode. With the AD-8121B printer, use MODE 3.

- This format consists of sixteen characters excluding the terminator.
- A header of two characters indicates the balance condition. No overload header is used.
- The polarity sign is placed before the data, with spaces in place of leading zeros, if the data is not zero or overloaded.
- The unit, consisting of three characters, follows the data.

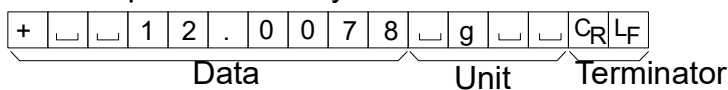


KF Format

SIF TYPE 2

This is the Karl-Fischer moisture meter format and is used when the peripheral equipment can only communicate using this format.

- This format consists of fourteen characters excluding the terminator.
- This format has no header characters.
- The polarity sign is placed before the data, with spaces in place of leading zeros, if the data is not zero or overloaded.
- This format outputs the unit only for a stable value.

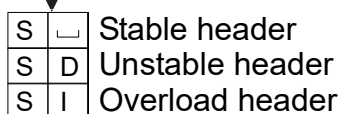
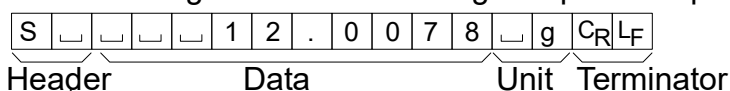


MT Format

SIF TYPE 3

This format is used when the peripheral equipment of other manufacturer is connected. Please note that the connection is not guaranteed.

- A header of two characters indicates the balance condition.
- The polarity sign is used only for negative data.
- The weight data uses spaces in place of the leading zeros.
- The character length of this format changes dependent upon the unit

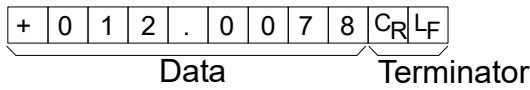


NU (Numerical) Format

SIF TYPE 4

This format outputs only numerical data.

- This format consists of nine characters excluding the terminator.
- The polarity sign is placed before the data with the leading zeros. If the data is zero, the plus sign is used.

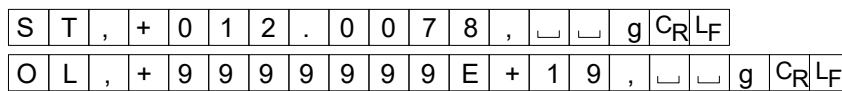


CSV Format

SIF TYPE 5

- Separates the data of A&D standard format and the unit by a comma (,).
- Outputs the unit even when the data is overloaded.

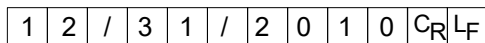
ST,+012.0078, _ _ g<CR><LF>
 Weight data



Date

out 5-td 2 or 3

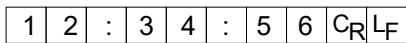
- The date output order can be changed in "Clock (EL Adj)".
- The year is output in a four-digit format.



Time

out 5-td 1 or 3

- The time is output in a 24-hour format.



10-7. Data Format Examples

Stable

° 18 127 g

A&D	S	T	,	+	0	0	1	.	8	1	2	7			g	C _R	L _F		
DP	W	T						+	1	.	8	1	2	7			g	C _R	L _F
KF	+				1	.	8	1	2	7			g					C _R	L _F
MT	S						1	.	8	1	2	7			g			C _R	L _F
NU	+	0	0	1	.	8	1	2	7									C _R	L _F

Unstable

-18.3769 g

A&D	U	S	,	-	0	1	8	.	3	7	6	9			g	C _R	L _F			
DP	U	S						-	1	8	.	3	7	6	9			g	C _R	L _F
KF	-				1	8	3	.	6	9									C _R	L _F
MT	S	D						-	1	8	3	.	6	9			g		C _R	L _F
NU	-	0	0	1	8	3	.	6	9										C _R	L _F

Overload

Positive error

£ g

A&D	O	L	,	+	9	9	9	9	9	9	9	E	+	1	9			C _R	L _F		
DP												E							C _R	L _F	
KF									H											C _R	L _F
MT	S	I	+																	C _R	L _F
NU	+	9	9	9	9	9	9	9	9											C _R	L _F

Overload

Negative error

-£ g

A&D	O	L	,	-	9	9	9	9	9	9	9	E	+	1	9			C _R	L _F			
DP												-	E							C _R	L _F	
KF										L											C _R	L _F
MT	S	I	-																		C _R	L _F
NU	-	9	9	9	9	9	9	9	9												C _R	L _F

- ␣ Space, ASCII 20h
- C_R Carriage Return, ASCII 0Dh
- L_F Line Feed, ASCII 0Ah

Units		A&D	D.P.	KF	MT
g	g	┌┌g	┌┌g	┌g┌┌	┌g
mg	mg	┌mg	┌mg	┌mg┌	┌mg
Counting mode	PCS	┌P┌C	┌P┌C	┌p┌c┌s	┌P┌C┌S
Percent mode	%	┌┌%	┌┌%	┌%┌┌	┌%
Ounce (Avoir)	oz	┌o┌z	┌o┌z	┌o┌z┌	┌o┌z
Troy Ounce	ozt	o┌z┌t	o┌z┌t	┌o┌z┌t	┌o┌z┌t
Metric Carat	ct	┌c┌t	┌c┌t	┌c┌t┌	┌c┌t
Momme	mom	m┌o┌m	m┌o┌m	┌m┌o┌m	┌m┌o
Pennyweight	dwt	d┌w┌t	d┌w┌t	┌d┌w┌t	┌d┌w┌t
Grain	GN	┌G┌N	┌G┌N	┌g┌r┌	┌G┌N
Tael (HK general, Singapore)	tl	┌t┌l	┌t┌l	┌t┌l┌s	┌t┌l
Tael (HK, jewelry)	tl	┌t┌l	┌t┌l	┌t┌l┌h	┌t┌l
Tael (Taiwan)	tl	┌t┌l	┌t┌l	┌t┌l┌t	┌t┌l
Tael (China)	tl	┌t┌l	┌t┌l	┌t┌l┌c	┌t┌l
Tola (India)	tol	┌┌t	┌┌t	┌t┌o┌l	┌t
Messghal	MES	m┌e┌s	m┌e┌s	┌M┌S┌	┌m
Multi	MLT	M┌L┌T	M┌L┌T	┌M┌L┌T	┌M┌L┌T

┌ Space, ASCII 20h

Note

- When "Pound Ounce" is selected, the data is output with the unit of ounce (oz).

10-8. Description of the Item "Application Function"

Capacity Indicator (APF 1)

In the weighing mode, the indicator displays the weight data relative to the weighing capacity in percentage. (Zero = 0%, maximum capacity = 100%)

Statistical Calculation Mode (APF 2)

The mode statistically calculates the weight data, and displays or outputs the results. For details, refer to "6-5 Statistical Calculation Mode".

Setting the Time (with Part of the Digits Blinking)

7 Set the time in a 24-hour format using the following keys.

SAMPLE key To select the digits to change the value.
The selected digits blink.

RE-ZERO key To increase the value by one.

MODE key To decrease the value by one.

PRINT key To store the new setting, display **End** and go to step 8.

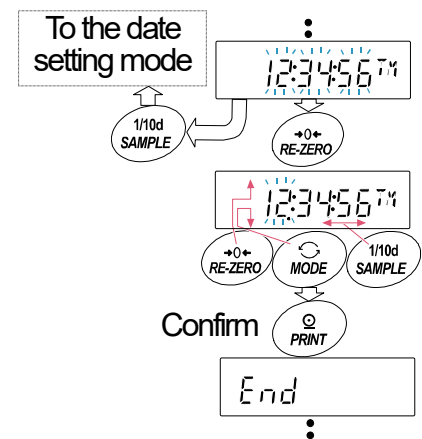
CAL key To cancel the new setting and go to step 8

Quitting the Operation

8 The balance displays the next menu of the function table. Press the **CAL** key to exit the clock and calendar function and return to the weighing mode.

Note

- Do not enter invalid values such as a non-existing date when setting the time and date.



10-10. Comparator Function

The results of the comparison are indicated by **[HI]** **[OK]** **[LO]** on the display.

Operating conditions:

- No comparison
- Comparison when the weight data is stable, excluding "near zero"
- Comparison when the weight data is stable, including "near zero"
- Continuous comparison, excluding "near zero"
- Continuous comparison, including "near zero"

To compare, use: Upper limit value and lower limit value

Input method: Digital input

Note

- "Near zero" means that the weight value is within ± 10 digits of the minimum weighing value. For example, using an HR-250AZ in gram mode, the range of ± 0.0010 g is "near zero". For the description of "Comparator (CP Fnc)", refer to "10-3 Details of the Function Table".**

Setting Example

(Continuous comparison, excluding "near zero", upper limit and lower limit values, digital input)

Selecting a comparator mode

- 1 Press and hold the **[SAMPLE]** key until **[bASFnC]** of the function table is displayed.
- 2 Press the **[SAMPLE]** key several times to display **[CP Fnc]**.
- 3 Press the **[PRINT]** key.
- 4 Press the **[RE-ZERO]** key several times to display **[CP ALL E#1]**.
- 5 Press the **[PRINT]** key to store the selected mode.

Entering the Upper Limit Value

- 6 With **[CP H1]** displayed, press the **[PRINT]** key. The current setting of the upper limit value is displayed with all the digits blinking.
 - When the current setting is not to be changed, press the **[PRINT]** or **[CAL]** key to go to step 7.
 - When the current setting is to be changed, press the **[RE-ZERO]** key. Change the setting using the following keys.

[SAMPLE] key To select the digit to change the value. The selected digit blinks.

[RE-ZERO] key To change the value of the digit selected.

[MODE] key To switch the polarity.

[PRINT] key To store the new setting and go to step 7.

[CAL] key To cancel the new setting and go to step 7.

Entering the Lower Limit Value

- 7 With **[CP L0]** displayed, press the **[PRINT]** key. The current setting of the lower limit value is displayed with all the digits blinking.
 - When the current setting is not to be changed, press the **[PRINT]** or **[CAL]** key to go to step 8.
 - When the current setting is to be changed, press the **[RE-ZERO]** key. Change the setting using the following keys.

[SAMPLE] key To select the digit to change the value. The selected digit blinks.

[RE-ZERO] key To change the value of the digit selected.

[MODE] key To switch the polarity.

[PRINT] key To store the new setting and go to step 8.

[CAL] key To cancel the new setting and go to step 8.

- 8 Press the **[CAL]** key to exit the comparator function and return to the weighing mode.

11. ID Number and GLP Report

- The ID number is used to identify the balance when Good Laboratory Practice (GLP) or Good Manufacturing Practice (GMP) is used.
- The ID number is maintained in non-volatile memory even if the AC adapter is removed.
- The output format for GLP/GMP compliant report is selected at "GLP output (*GLP*)" of the function table and can be output to a personal computer or printer using the RS-232C serial interface.
- The GLP/GMP compliant report includes the balance manufacturer, model, serial number, ID number and space for signature for weight data, and the weight used and results for calibration or calibration test data.

The HR-AZ series balance is equipped with the built-in clock and can print the date and time using the clock function.

With the HR-A series, when the AD-8121B printer is used, the date and time can be printed using the AD-8121B clock and calendar function. In this case, set the "GLP output (*GLP*)" parameter to "1".

- When an AD-8127 printer is connected to the balance and outputs the GLP report, the date and time can be added to the report using the clock function of the printer. (Available for balance with software version 1.860 or later)

This is very useful for managing the date and time using the AD-8127 password lock function to prevent them from being falsified.

To output the GLP/GMP compliant report, set the AD-8127 printer to the dump printing mode.

- The balance can output the following:
 - "Calibration report" of the calibration, using the internal mass (Calibration due to changes in temperature and one-touch calibration.)
 - "Calibration report" of the calibration, using an external weight.
 - "Calibration test report" of the calibration test, using an external weight and using the internal mass.
 - "Title block" and "End block" for the weight data.

11-1. Setting the ID Number

- 1 Press and hold the **SAMPLE** key until **BASE Fnc** of the function table is displayed.
- 2 Press the **SAMPLE** key several times to display **ID**.
- 3 Press the **PRINT** key. Set the ID number using the following keys.

SAMPLE key	To select the digit to change the value. The selected digit blinks.
RE-ZERO key, MODE key	To set the character of the digit selected. Refer to the display character set shown below.
PRINT key	To store the new ID number and display RP Fnc
CAL key	To cancel the new ID number and display RP Fnc
- 4 Press the **CAL** key to return to the weighing mode.

Display Character Set

0	1	2	3	4	5	6	7	8	9	-	␣	A	B	C	D	E	F	G	H	I	J	K	L	M	N	O	P	Q	R	S	T	U	V	W	X	Y	Z
0	1	2	3	4	5	6	7	8	9	-	␣	a	b	c	d	e	f	g	h	i	j	k	l	m	n	o	p	q	r	s	t	u	v	w	x	y	z

← **MODE** key ␣ Space **RE-ZERO** key →

11-2. GLP Report

To output the GLP/GMP compliant report to an AD-8121B printer, AD-8127 printer or PC, set the "GLP output (*INF0*)" parameter of the function table to "1" (AD-8121 format), or "2" (General format using the balance built-in clock data) or "3" (General format using the external device clock data).

Notes on how to output the GLP/GMP compliant report to an AD-8121B/AD-8127 printer

- Refer to "17. Connection to Peripheral Equipment" for connection to a printer.
- With the AD-8121B printer, use MODE3. If MODE1 is used, select temporarily the dump print mode by pressing the STAT. key of the AD-8121B printer.
- With the AD-8127 printer, use the dump printing mode. If the external key printing mode is used, press and hold the ENT key of the AD-8127 printer to switch between the external key printing mode and the dump printing mode.
- Set "Data output pause (*PULSE*)" of the function to "1".
- If the date and time are not correct when the HR-AZ series balance built-in clock data is output (*INF0 1* ; *2*), set the correct date and time in "Clock (*CL Rdu*)" of the function table. With the HR-A series, set the correct date and time of the AD-8121B clock and calendar.
- " *INF0 3* " is available for balances with software version 1.860 and later.

Calibration Report Using an Internal Mass (Only for the HR-AZ Series)

When the setting is "inF0 I":

When the setting is "inF0 2":

AD-8121 format

General data format using balance internal clock data

```

      A & D
MODEL  HR-250AZ
S/N    012345678
ID     ABCDEFG
DATE   2011/12/31
TIME   12:34:56
CALIBRATED(INT.)
REMARKS

SIGNATURE
-----
    
```

← Manufacturer →
 ← Model →
 ← Serial number →
 ← ID number →
 ← Date →
 ← Time →
 ← Calibration type →
 ← Remarks →
 ← Signature →

```

_____A-&D<TERM>
MODEL___HR-250AZ<TERM>
S/N____012345678<TERM>
ID_____ABCDEFGG<TERM>
DATE<TERM>
_____2011/12/31<TERM>
TIME<TERM>
_____12:34:56<TERM>
CALIBRATED(INT.)<TERM>
REMARKS<TERM>
<TERM>
<TERM>
SIGNATURE<TERM>
<TERM>
<TERM>
-----<TERM>
<TERM>
<TERM>
    
```

□ Space, ASCII 20h
 <TERM> Terminator, C_R, L_F or C_R
 C_R Carriage return, ASCII 0Dh
 L_F Line feed, ASCII 0Ah

Calibration Test Report Using the Internal Mass (Only for the HR-AZ Series)

(Calibration test does not perform calibration.)

When the setting is "inF0 I":

When the setting is "inF0 2":

AD-8121 format

General data format using balance internal clock data

```

      A & D
MODEL  HR-250AZ
S/N    012345678
ID     ABCDEFG
DATE   2011/12/31
TIME   12:23:34
CAL.TEST(INT.)
ACTUAL
      0.0000 g
      +199.9999 g
TARGET
      +200.0000 g
REMARKS

SIGNATURE
-----
    
```

← Manufacturer →
 ← Model →
 ← Serial number →
 ← ID number →
 ← Date →
 ← Time →
 ← Calibration test type →
 ← Zero point value →
 ← Target weight value →
 ← Target weight →
 ← Remarks →
 ← Signature →

```

_____A-&D<TERM>
MODEL___HR-250AZ<TERM>
S/N____012345678<TERM>
ID_____ABCDEFGG<TERM>
DATE<TERM>
_____2011/12/31<TERM>
TIME<TERM>
_____12:23:34<TERM>
CAL.TEST(INT.)<TERM>
ACTUAL<TERM>
_____0.0000__g<TERM>
___+199.9999__g<TERM>
TARGET<TERM>
___+200.0000__g<TERM>
REMARKS<TERM>
<TERM>
<TERM>
SIGNATURE<TERM>
<TERM>
<TERM>
-----<TERM>
<TERM>
<TERM>
    
```

□ Space, ASCII 20h
 <TERM> Terminator, C_R, L_F or C_R
 C_R Carriage return, ASCII 0Dh
 L_F Line feed, ASCII 0Ah

Calibration Report Using an External Weight

When the setting is "info 1":

AD-8121 format

```

      A & D
MODEL   HR-250A
S/N     012345678
ID      ABCDEFG
DATE    2011/12/31
TIME    12:23:34
CALIBRATED(EXT.)
CAL.WEIGHT
      +200.0000 g
REMARKS

SIGNATURE
-----
    
```

- Space, ASCII 20h
- <TERM> Terminator, CR, LF or CR
- CR Carriage return, ASCII 0Dh
- LF Line feed, ASCII 0Ah

When the setting is "info 2":

General data format using balance internal clock data

```

      A_&_D<TERM>
MODEL____HR-250A<TERM>
S/N____012345678<TERM>
ID_____ABCDEFG<TERM>
DATE<TERM>
<TERM>
      *
TIME<TERM>
<TERM>
      *
CALIBRATED(EXT.)<TERM>
CAL.WEIGHT<TERM>
____+200.0000__g<TERM>
REMARKS<TERM>
<TERM>
<TERM>
SIGNATURE<TERM>
<TERM>
<TERM>
-----<TERM>
<TERM>
<TERM>
    
```

* With HR-AZ series, the time and date are added to output data.

Calibration Test Report Using an External Weight

(Calibration test does not perform calibration.)

When the setting is "info 1":

AD-8121 format

```

      A & D
MODEL   HR-250A
S/N     012345678
ID      ABCDEFG
DATE    2011/12/31
TIME    12:23:34
CAL. TEST(EXT.)
ACTUAL
      0.0000 g
      +199.9999 g
TARGET
      +200.0000 g
REMARKS

SIGNATURE
-----
    
```

- Space, ASCII 20h
- <TERM> Terminator, CR, LF or CR
- CR Carriage return, ASCII 0Dh
- LF Line feed, ASCII 0Ah

When the setting is "info 2":

General data format using balance internal clock data

```

      A_&_D<TERM>
MODEL____HR-250A<TERM>
S/N____012345678<TERM>
ID_____ABCDEFG<TERM>
DATE<TERM>
<TERM>
      *
TIME<TERM>
<TERM>
      *
CAL. TEST(EXT.)<TERM>
ACTUAL<TERM>
____0.0000__g<TERM>
____+199.9999__g<TERM>
TARGET<TERM>
____+200.0000__g<TERM>
REMARKS<TERM>
<TERM>
<TERM>
SIGNATURE<TERM>
<TERM>
<TERM>
-----<TERM>
<TERM>
<TERM>
    
```

* With HR-AZ series, the time and date are added to output data.

Title Block and End Block

When a weight value is recorded as the GLP data, "Title block" and "End block" are inserted at the beginning and at the end of a group of weight values, in the GLP report.

Note

- To output the report to an AD-8121B compact printer, use **MODE 3** of the AD-8121B.

Operation

- With the weight data displayed, press and hold the **PRINT** key until **Start** is displayed. The "Title block" is output.
- The weight data is output according to the parameter setting of the data output mode.
- Press and hold the **PRINT** key until **RecEnd** is displayed. The "End block" is output.

DP format (TYPE 1 of the function table)
When the setting is "info 1":

AD-8121 format

```

A & D
MODEL   HR-250A
S/N     012345678
ID      ABCDEFG
DATE    2011/12/31
START
TIME    12:23:34

WT      +12.3456 g
WT      +12.3461 g
WT      +12.3462 g
WT
  
```

```

WT      +12.3453 g
WT      +12.3471 g
WT      +12.3464 g

END
TIME    12:34:56
REMARKS

SIGNATURE
-----
  
```

Title block

Manufacturer
Model
Serial number
ID number
Date
Time

Weight data

Time

Remarks

Signature

End block

DP format (TYPE 1 of the function table)
When the setting is "info 2":

General data format using balance
internal clock data

```

_____A-&D<TERM>
MODEL ___HR-250A<TERM>
S/N____012345678<TERM>
ID_____ABCDEFG<TERM>
DATE<TERM>
<TERM>
START<TERM>
TIME<TERM>
<TERM>
WT___+12.3456___g<TERM>
WT___+12.3461___g<TERM>
  
```

```

_____g<TERM>
WT___+12.3451___g<TERM>
WT___+12.3453___g<TERM>
WT___+12.3471___g<TERM>
WT___+12.3464___g<TERM>
<TERM>
END<TERM>
TIME<TERM>
<TERM>
REMARKS<TERM>
<TERM>
SIGNATURE<TERM>
<TERM>
-----<TERM>
<TERM>
<TERM>
  
```

- Space, ASCII 20h
- <TERM> Terminator, CR, LF or CR
- CR Carriage return, ASCII 0Dh
- LF Line feed, ASCII 0Ah

* With HR-AZ series, the time and date are added to output data.

Outputting the Clock Data of the External Device " *Info 3* " (with Software Version 1.860 or Later)

When the function table is set to " *Info 3* ", the clock data of external devices such as a printer or PC can be used instead of the balance built-in clock data for the GLP/GMP compliant report.

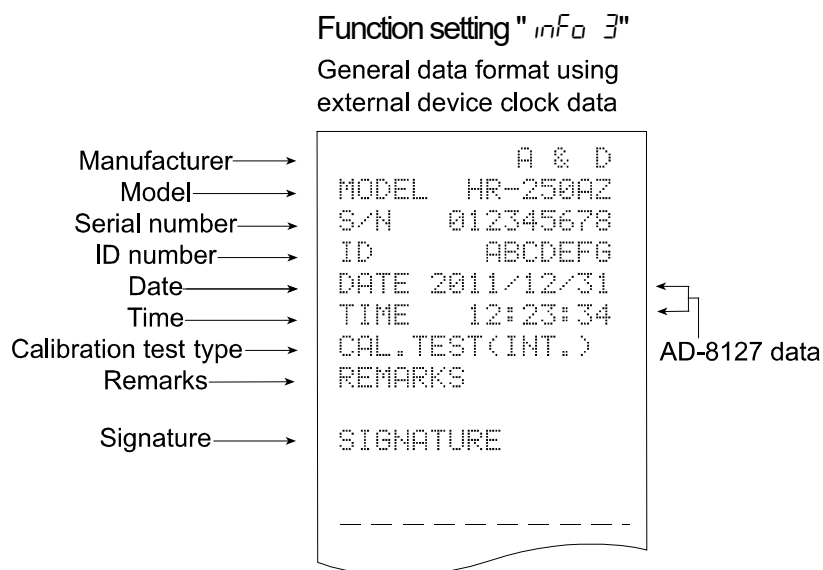
This is useful standardizing the clock data using the clock function of an external device.

Except for date and time, the same format as " *Info 2* " is used.

Notes

- " *Info 3* " is available for balances with software version 1.860 and later.
- To output the clock data of an external device, the external device such as an AD-8127 printer or data communication tools software Win CT RsCom must have a function to output the date and time when <ESC>D or <ESC>T is received.

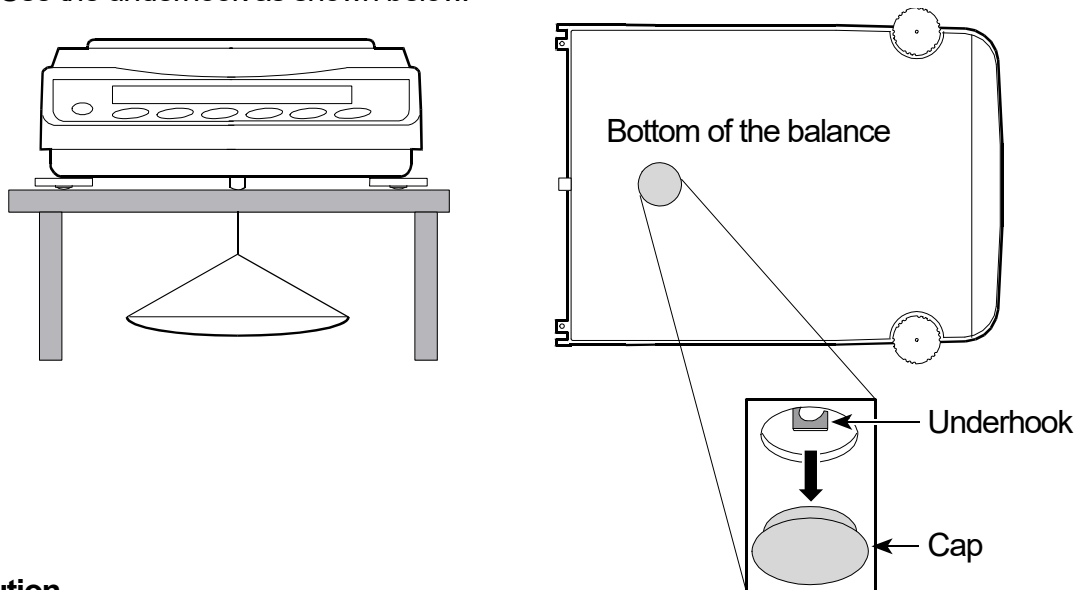
Calibration report using the internal mass



12. Underhook

The underhook can be used for magnetic materials or density measurement. The built-in underhook is revealed by removing the plastic cap on the bottom of the balance.

Use the underhook as shown below.



Caution

- Do not apply excessive force to the underhook.
When not in use, attach the plastic cap to prevent dust from getting into the balance.
Do not push the underhook upward.

13. Density Measurement (Specific Gravity)

The balance is equipped with a density mode. It calculates the density of a solid using the mass value of a sample in air and the mass value in liquid. We recommend the use of the AD-1654 Density Determination Kit.

Notes

- The density mode ($d5$) was not selected for use when the balance was shipped from the factory. To use this mode, change the function table settings to activate the density mode. Refer to "5-2. Storing Units".
- The minimum display is 0.0001 g while using the density mode.

Formula to Obtain the Density Density of a Solid

The density of a solid can be obtained by the mass value of each sample in air, liquid and the liquid density.

$$\rho = \frac{A}{A - B} \times \rho_0$$

Where ρ : Density of a sample
 A : Mass value of a sample in air
 B : Mass value of a sample in liquid
 ρ_0 : Density of a liquid

Density of a Liquid

By using a float with a known volume, the density of a liquid can be obtained by the mass value of the float in air and liquid, using the volume of the float.

$$\rho = \frac{A - B}{V}$$

Where ρ : Density of a sample
 A : Mass value of the float in air
 B : Mass value of the float in liquid
 V : Volume of the float

(1) Prior to Measurement: Changing the Function Table

Prior to measurement, change the function table as follows:

- 1 Selecting a density mode.
 The density mode is not available in the factory setting. To use the density mode, select and store the mode ($d5$) in "Unit (Unit)" of the function table. Refer to "5-2. Storing Units". Then, the density mode can be selected as one of the weighing units, by pressing the MODE key.
- 2 Selecting a sample for measurement.
 Select whether the measurement sample is a solid or liquid. ("Selection of a measurement sample (Ld in)" of the function table)
- 3 Selecting a way to set the density of a liquid
 When "Density measurement of a solid ($d5$)" is selected in step 2, select the liquid density input method from the function table below.

Note

The following function table is displayed only when the unit of Unit $d5$ is active. The table of the density mode ($d5$ Fnc) is displayed after 5 if.

Class	Item and Parameter	Description
$d5$ Fnc Density function	Ld in Liquid density input	▪ 0 Water temperature
		▪ 1 Liquid density
	$d5$ Selection of a sample	▪ 0 Density measurement of a solid
		▪ 1 Density measurement of a liquid

▪: Factory setting

(2) Measuring the Density of a Solid (Specific Gravity) (d_s)

Note

- If the liquid temperature or the type of liquid is changed during measurement, again input the value of the liquid density as necessary. The density display is four decimal places. The minimum display cannot be changed with the **[SAMPLE]** key.

The density (or specific gravity) is displayed after "Mass measurement in air" and "Mass measurement in liquid". The procedure of each measurements is as follows: g : gram. ◀ : the processing indicator.

- Enter the density mode. (g lights. ◀ blinks.)
Place nothing on both pan and press the **[RE-ZERO]** key to display zero.
- Place the sample on the pan in air. (g lights. ◀ blinks.)
If the weight value is output, press the **[PRINT]** key to store it after a stable weight value is displayed.
Press the **[SAMPLE]** key to decide the weight value in air and proceed to next step.

Note

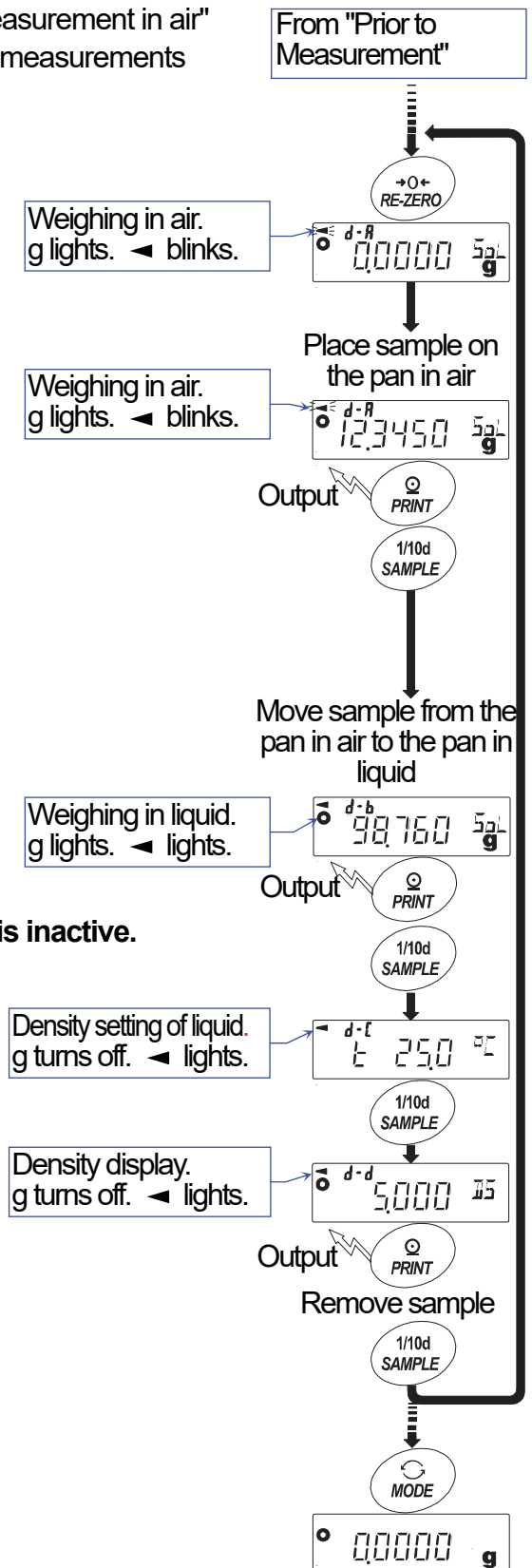
- If negative value or **[E]** (out of range) is displayed, the **[SAMPLE]** key is inactive.

- Move the sample to the pan in liquid. (g lights. ◀ lights.)
If the weight value is output, press the **[PRINT]** key to store it after a stable weight value is displayed.
Press the **[SAMPLE]** key to decide the weight value in liquid and proceed to next step.

Note

- If **[E]** (out of range) is displayed, the **[SAMPLE]** key is inactive.

- Inputting the density of the liquid
Refer to "Entering the Density of a Liquid" and set the density of the liquid. Press the **[SAMPLE]** key to proceed to the next step.
- If the density value is stored or output, press the **[PRINT]** key to store it. (Unit : $\frac{g}{ml}$. g turns off. ◀ lights.)
Press the **[SAMPLE]** key to measure another sample and proceed to step 2.
- If the liquid temperature or the type of liquid is changed during measurement, input again the value of the liquid density as necessary.
- Press the **[MODE]** key to proceed to other modes.



(3) Entering the Density of a Liquid

Two ways to set the density of a liquid are available in the function table, "Liquid density input (Ld_{in}): by entering the water temperature or by entering the density directly.

Entering the Water Temperature ($Ld_{in} \text{ } \square$)



The water temperature currently set (unit: °C, factory setting : 25.0°C) is displayed. Use the following keys to change the value.

- RE-ZERO** (+) key The key to increase the temperature. (0.0°C is displayed after 99.9°C)
- MODE** (-) key The key to decrease the temperature. (99.9°C is displayed after 0.0°C)
- PRINT** key The key to select the digit to change the value.
- SAMPLE** key The key to store new water temperature and return to the density displaying mode. Proceed to step 5.
- CAL** key The key to cancel the change and return to the density displaying mode. Proceed to step 5.

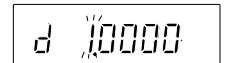
The relation between the water temperature and density

°C	+0	+1	+2	+3	+4	+5	+6	+7	+8	+9
0	0.99984	0.99990	0.99994	0.99996	0.99997	0.99996	0.99994	0.99990	0.99985	0.99978
10	0.99970	0.99961	0.99949	0.99938	0.99924	0.99910	0.99894	0.99877	0.99860	0.99841
20	0.99820	0.99799	0.99777	0.99754	0.99730	0.99704	0.99678	0.99651	0.99623	0.99594
30	0.99565	0.99534	0.99503	0.99470	0.99437	0.99403	0.99368	0.99333	0.99297	0.99259
40	0.99222	0.99183	0.99144	0.99104	0.99063	0.99021	0.98979	0.98936	0.98893	0.98849

g/cm³

Entering the Density Directly ($Ld_{in} \text{ } |$)

The density currently set (unit : g / cm³, factory setting : 1.0000g / cm³) is displayed. Use the following keys to change the value.



The range to set the density is 0.0000g / cm³ to 1.9999g / cm³.

- RE-ZERO** (+) key The key to increase the value of the digit selected.
- MODE** (-) key The key to decrease the value of the digit selected.
- PRINT** key The key to select the digit to change the value.
- SAMPLE** key The key to store the change and return to the density displaying mode. Proceed to step 5.
- CAL** key The key to cancel the change and return to the density displaying mode. Proceed to step 5.

(4) Measuring the Density of a Liquid (Specific Gravity) (d₅ i)

Note

- The density display is four decimal places. The minimum display can not be changed with the **[SAMPLE]** key.

The density (or specific gravity) is displayed after "Mass measurement of a float in air" and "Mass measurement a float in liquid". The procedure of each measurements is as follows: g : gram. ◀ : the processing indicator.

- 1 Enter the density mode. (g lights. ◀ blinks.)
Place nothing on the weighing pan and press the **[RE-ZERO]** key to display zero.
- 2 Place the float on the weighing pan. (g lights. ◀ blinks.)
If the weight value of the float is output, press the **[PRINT]** key to store it after a stable weight value is displayed.
Press the **[SAMPLE]** key to decide the weight value in air and proceed to next step.

Note

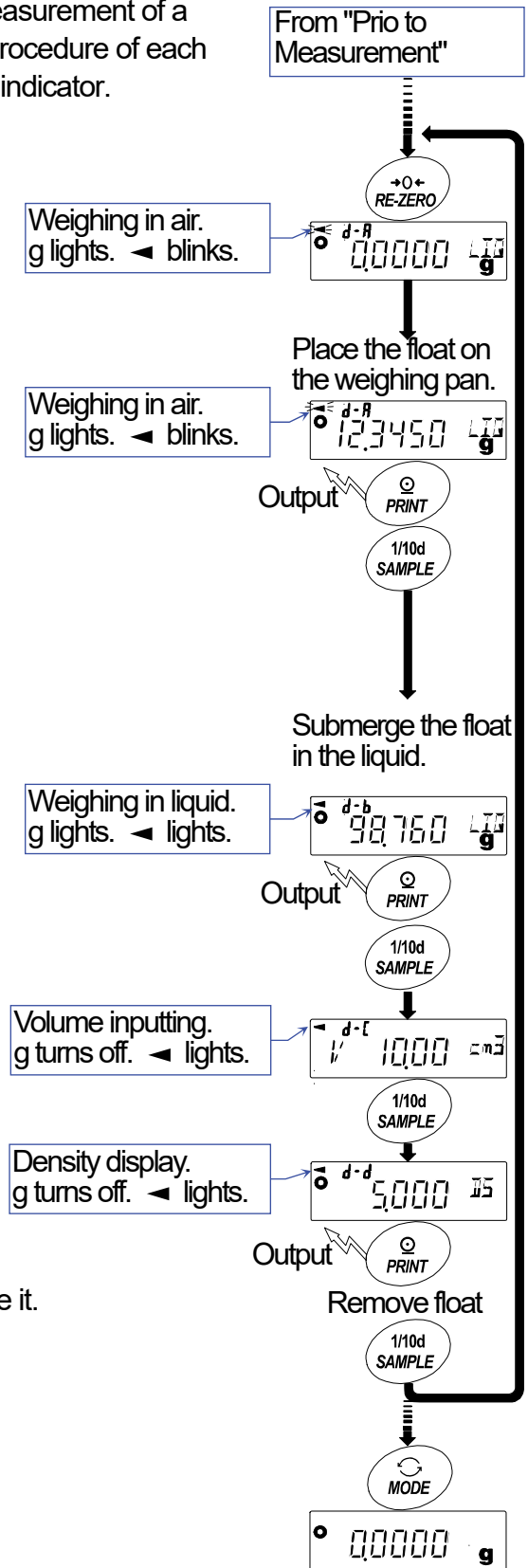
- If negative value or **[E]** (out of range) is displayed, the **[SAMPLE]** key is inactive.

- 3 Pour in the liquid for the density measurement and submerge the float in the liquid. At this time, confirm that the float is approx. 10 mm under the liquid surface. Wait until the display is in the stable state to take a reading.
If the weight value is output, press the **[PRINT]** key.
Press the **[SAMPLE]** key to decide the weight value in liquid and proceed to next step.

Note

- If **[E]** (out of range) is displayed, **[SAMPLE]** key is inactive.

- 4 Inputting the volume of a float
Refer to "Entering the Volume of a Float" and input the volume of a float. Press the **[SAMPLE]** key to proceed to the next step.
- 5 If the density value is output, press the **[PRINT]** key to store it. (Unit : $\frac{g}{ml}$. g turns off. ◀ lights.)
Press the **[SAMPLE]** key to measure another sample and proceed to step 2.
- 6 Press the the **[MODE]** key to proceed to other modes.



(5) Entering the Volume of a Float

The balance displays the set float volume (factory setting: 10.00cm³). Change the setting value by using the following keys if necessary.

Available adjustment range is 0.01 to 99.99 cm³, and unit is 0.01 cm³.

RE-ZERO (+) key The key to increase the value of the digit selected.

MODE (-) key The key to decrease the value of the digit selected.

PRINT key..... The key to select the digit to change the value.

SAMPLE key The key to store the change and return to the density displaying mode.
Proceed to step 5.

CAL key The key to cancel the change and return to the density displaying mode.
Proceed to step 5.

14. Programmable-Unit

This is a programmable unit conversion function. It multiplies the weight data in grams by an arbitrary coefficient set in the function table and displays the result.

The coefficient must be within the range between the minimum and maximum shown below. If the coefficient set is beyond the range, an error is displayed and the balance returns to the coefficient setting mode, prompting to enter an appropriate value. A coefficient of 1 was set at the factory.

Model	Minimum coefficient	Maximum coefficient
HR-100AZ HR-150AZ HR-250AZ HR-251AZ	0.000001	10000
HR-100A HR-150A HR-250A HR-251A		

Operation

- 1 Press and hold the **[SAMPLE]** key until **bASFnC** of the function table is displayed.
- 2 Press the **[SAMPLE]** key several times to display **MLT**.
- 3 Press the **[PRINT]** key. The balance enters the mode to confirm or set the coefficient.

Confirming the Coefficient

- 4 The current coefficient is displayed with the first digit blinking.
 - When it is not to be changed, press the **[CAL]** key and go to step 6.
 - When it is to be changed, press the **[RE-ZERO]** key and go to step 5.

Setting the Coefficient

- 5 Set the coefficient using the following keys.

[SAMPLE] key To select a digit to change the value.
The selected digit blinks.

[RE-ZERO] key To change the value.

[MODE] key To change the decimal point position.
Each time the switch is pressed, the decimal point position changes as follows:

[PRINT] key To store the new setting, display **End** and go to step 6.

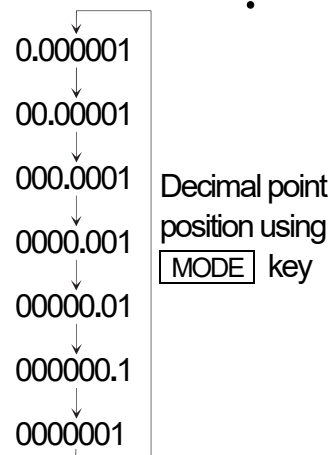
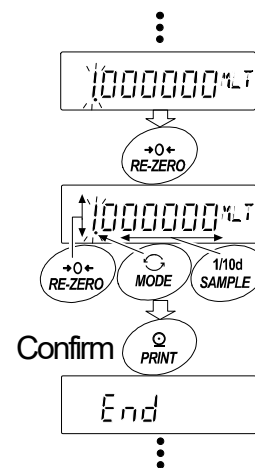
[CAL] key To cancel the new setting and go to step 6.

Quitting the Operation

- 6 The balance displays **Unit**. Press the **[CAL]** key to exit the programmable-unit function and return to the weighing mode.

Using the Function

Press the **[MODE]** key to select the programmable-unit (no display on the unit section). Perform weighing as described in "6-1. Basic Operations (g, mg, ct, mom)". After weighing, the balance displays the result (weight data in grams x coefficient).



15. Password Function

The password function can be used to restrict balance use or functions. It is useful for preventing the time and date settings from being falsified and preventing users from changing other function settings.

Password: Four digits (4 x 4 x 4 x 4 = 256 combinations) using **MODE**, **SAMPLE**, **PRINT** and **RE-ZERO** keys.

At factory setting, the password function is not used.

The management of the password function is performed in "Password function" of "10-3. Details of the Function Table".

Note

- The password function varies depending on the balance software version.

15-1. Balance Software Versions 1.70 to 1.85

Two settings are available in "Password Function (*LocFnc*)" of the function table.

<i>PASS 0</i>	No password function.
<i>PASS 1</i>	Entering a password is required before starting weighing.

PASS 0 (No password function)

No password is required.

Anybody can perform weighing, use all the balance functions and make changes to them.

PASS 1 (Entering a password is required before starting weighing.)

The administrator (*ADMIN*) sets a unique password to restrict balance users.

Only one password by the administrator can be set.

The correct password must be entered for the balance to enter the weighing mode.

15-2. Balance Software Versions 1.860 and Later

Three settings are available in "Password Function (L_{OC}F_{NC})" of the function table.

PASS 0	No password function.
PASS 1	Entering a password is required before starting weighing.
PASS 2	Logging in by the administrator password is required before making changes.

PASS 0 (No password function)

No password is required.

Anybody can perform weighing, use all the balance functions and make changes to them.

PASS 1 (Entering a password is required before starting weighing.)

The administrator (ADMIN) sets a unique password to restrict balance users.

(Pressing the ON:OFF key before weighing will prompt you to enter a password.)

The correct password must be entered for the balance to enter the weighing mode.

Two login levels are available: administrator (ADMIN) and user (USER 01~10).

Administrator (ADMIN)	All functions and settings can be used.
	A password can be set for 10 users, individually.
User (USER 01~10)	Initialization and changes to the settings are restricted, including the clock setting. (including time).
No password	The balance cannot be used.

PASS 2 (Logging in by the administrator password is required before making changes.)

Anybody can perform weighing, but initialization and changes to the settings are restricted, including the clock setting.

(Even if the ON:OFF key is pressed to start weighing, a password will not be required.)

Two login levels are available: administrator (ADMIN) and guest (GUEST).

Administrator (ADMIN)	All the functions and settings can be used.
Guest (GUEST) * No password	Initialization and changes to the settings are restricted, including the clock setting.

When weighing is started by pressing the ON:OFF key while holding down the CAL key in the standby mode, the balance will prompt you to enter the administrator (ADMIN) password.

Items Limited by Login Level

Login level	Weighing		
	Entering password before weighing	Calibration (Sensitivity adjustment)	Changes to the settings *1
Administrator (ADMIN)	Required	Available	Available
User (USER 01 to 10)		Available or not available *2	Not available
Guest (GUEST)	Available		

*1: Response adjustment, repeatability test, function switch and initialization, function settings (clock setting)

*2: Available under ordinary circumstances, but not available to users (USER 01 to 10) and guests (GUEST) when the administrator (ADMIN) sets the function switch to "inhibit" described in "9-1. Permit Or Inhibit".

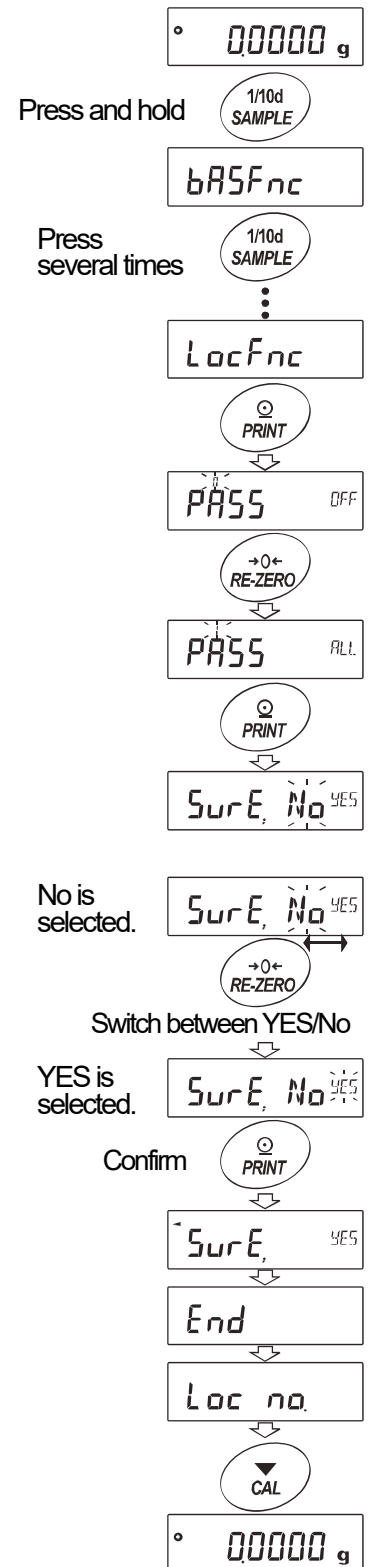
15-3. Using the Password Function

The password function can be switched among "Not used (0)", "Used (1)", "Used (2)" in "Password function (LocFnc)" of "10-3. Details of the Function Table".

- 1 Press and hold the **[SAMPLE]** key in the weighing mode. **bASFnC** is displayed, and then release the key.
- 2 Press the **[SAMPLE]** key several times until **LocFnc** is displayed.
- 3 Press the **[PRINT]** key to display **PASS**.
To cancel the operation, press the **[CAL]** key.
- 4 Press the **[RE-ZERO]** key to switch the numbers, showing "1" or "2".
- 5 Press the **[PRINT]** key to display **SurE, No^{YES}** where "No" is selected.
- 6 "YES" and "No" can be switched with the **[RE-ZERO]** key. Press the **[RE-ZERO]** key to display **SurE, No^{YES}** where "YES" is selected.
- 7 Press the **[PRINT]** key to store the new setting. The password function can now be used.
- 8 **Loc no.** is displayed. To store or change the password go to step 4 in "15-6. Storing or Changing the Password".
To not store or change the password, press the **[CAL]** key to return to the weighing mode.

Note

- When the balance software version is 1.70 to 1.85, only "Not used (0)" or "Use (1)" is available.



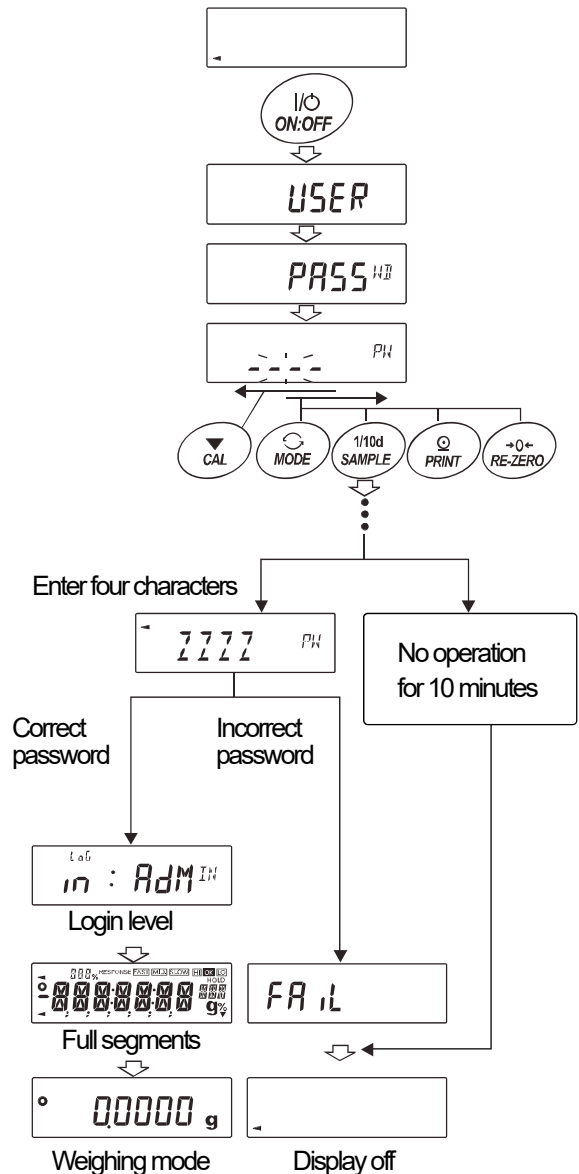
15-4. Entering the Password Before Weighing

PASS! (Entering a password is required before starting weighing)

- 1 In the standby mode, press the **ON/OFF** key.
- 2 After **USER** **PASS** **PH**, **----** **PASS** is displayed to prompt you to enter a password.
- 3 Enter a four-digit password using the following keys. The display will turn off automatically after ten minutes of non-operation.

MODE key	To enter	M
SAMPLE key	To enter	5
PRINT key	To enter	P
RE-ZERO key	To enter	7
CAL key	To go back one character	

- 4 When the password is correct, the balance displays the login level, turns all the display segments on, and then enters the weighing mode. The default password set at the factory is **7777** (press the **RE-ZERO** key four times), for administrator level. When the password is incorrect, the balance displays **FAIL**, sounds three times and turns the display off.



Notes

- When the balance software version is 1.70 to 1.85, the login level is not displayed when logged in.
- When the balance software version is 1.860 or later, enter the administrator password to log in at an administrator.

PASS 2 (Logging in by the administrator password is required before making changes)

Logging in as an administrator (**ADMIN**)

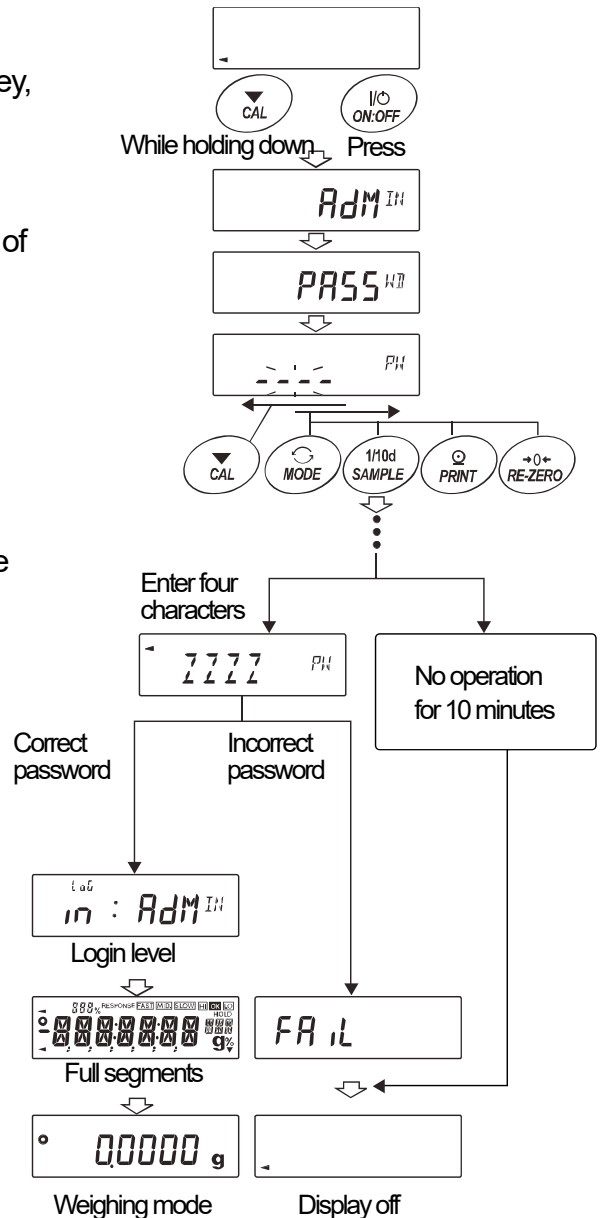
- 1 In the standby mode, while holding down the **CAL** key, press the **ON:OFF** key.
- 2 Enter a four-digit password using the following keys.
The display will turn off automatically after ten minutes of non-operation.

- MODE** key To enter **M**
- SAMPLE** key To enter **S**
- PRINT** key To enter **P**
- RE-ZERO** key To enter **Z**
- CAL** key To go back one character

- 3 When the password is correct, the balance displays the login level, turns all the display segments on, and then enters the weighing mode.

The default password set at the factory is **7777** (press the **RE-ZERO** key four times), for administrator level.

When the password is incorrect, the balance displays **FAIL**, sounds three times and turns the display off.



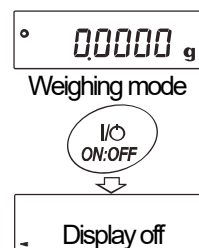
Logging in as a guest (**GUEST**)

- 1 In the standby mode, press the **ON:OFF** key.
After **in : GUE ST**, the balance enters the weighing mode.



15-5. Logging Out

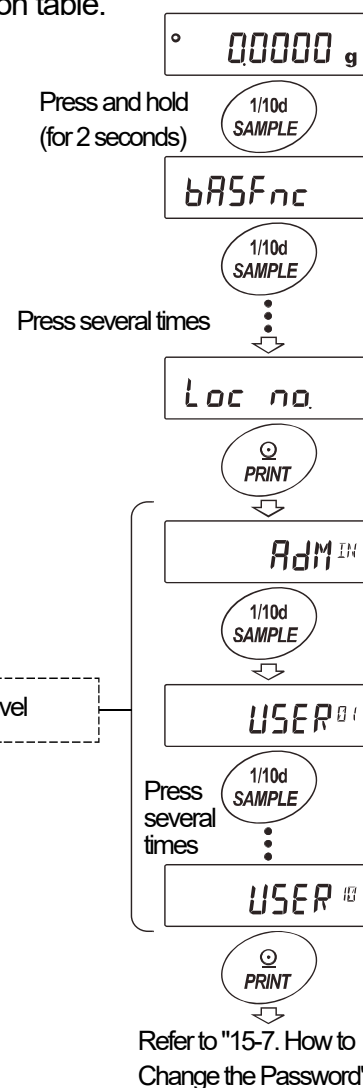
- To log out, press the **ON:OFF** key to turn the display off. With the function *PASS 1* set, enter the password again to change the mode from weighing to standby.



15-6. Storing or Changing the Password

The password can be set (changed) in "Password (Loc no.)" of the function table.

- In the weighing mode, press and hold the **SAMPLE** key until **bASFnC** is displayed, and then release the key.
- Press the **SAMPLE** key several times to display **Loc no.**
- Press the **PRINT** key to display the login level (**AdM IN**).
- Press the **SAMPLE** key to display the login level (**AdM IN / USER 01 to 10**) to be changed. The stabilization indicator **°** appears at a login level where a password has been stored. (The password can be changed.)
- To change the password, press the **PRINT** key. For details, refer to "15-7. How to Change the Password".



Notes

- To log out, press the **ON:OFF** key to turn the display off.
- With the function *PASS 2* set, the administrator password is required to log in as an administrator (AdM IN), No password needs to be stored for *USER 01 to 10*.
- When the balance software version is 1.70 to 1.85, only one password can be stored. While the balance displays **Loc no.**, press the **PRINT** key to display the current password.

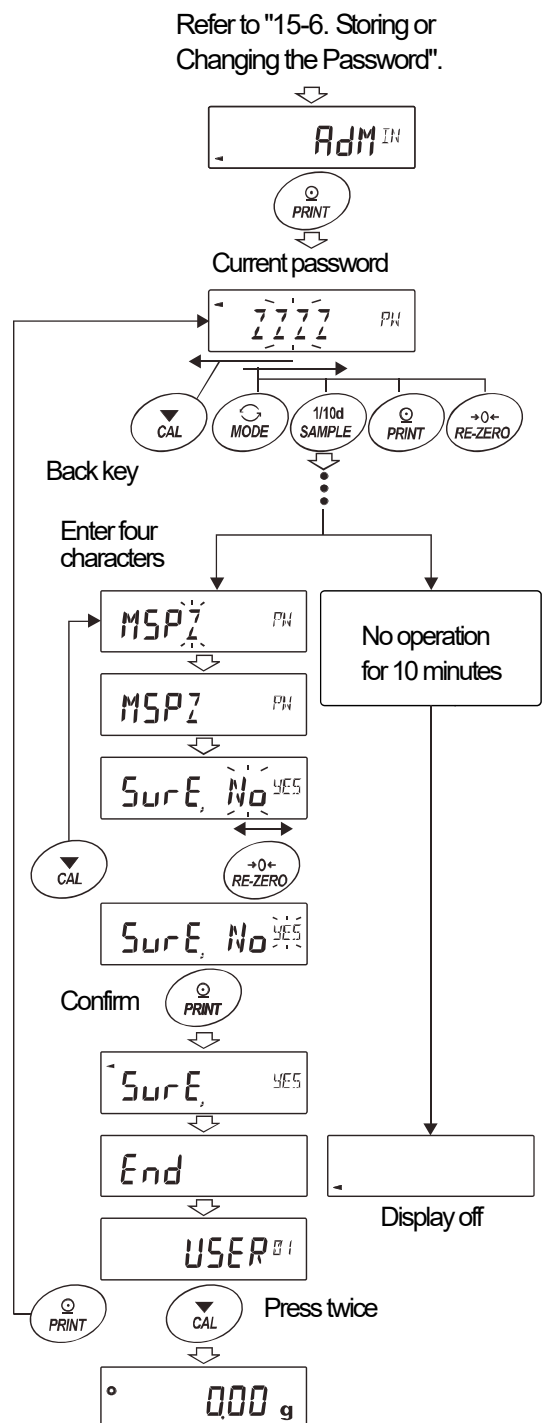
15-7. How to Change the Password

- 1 Refer to "15-6. Storing or Changing the Password" to display the login level to be changed.
- 2 Press the **PRINT** key to display the current password. The default password set at the factory is **7777** (press the **RE-ZERO** key four times), for administrator level.
- 3 Enter a four-digit password using the following keys. The display will turn off automatically after ten minutes of non-operation.

MODE key	To enter M
SAMPLE key	To enter S
PRINT key.....	To enter P
RE-ZERO key.....	To enter 7
CAL key.....	To go back one character
CAL key (press and hold).....	To delete the password

Refer to "15-8. Deleting the Password (USER 01 to 10)".

- 4 The new password is displayed.
- 5 **SurE, No** is displayed with "No" blinking ("No" is selected). (Press the **CAL** key to return to the fourth character enter position.)
- 6 Press the **RE-ZERO** key to display **SurE, No** with "YES" blinking ("YES" is selected).
- 7 When "YES" is blinking, press the **PRINT** key to store the new password.
- 8 When setting is complete, the next login level is displayed. To set a password for the next level, follow the procedure starting from Step 2. To finish the operation, press the **CAL** key twice to return to the weighing mode.



Notes

- If you have forgotten the password, the balance cannot be used. Make a record of the password and keep it where you can refer to it if needed.
- The same password as the administrator (**AdM IN**) password cannot be used for the user (**USER 01 to 10**)

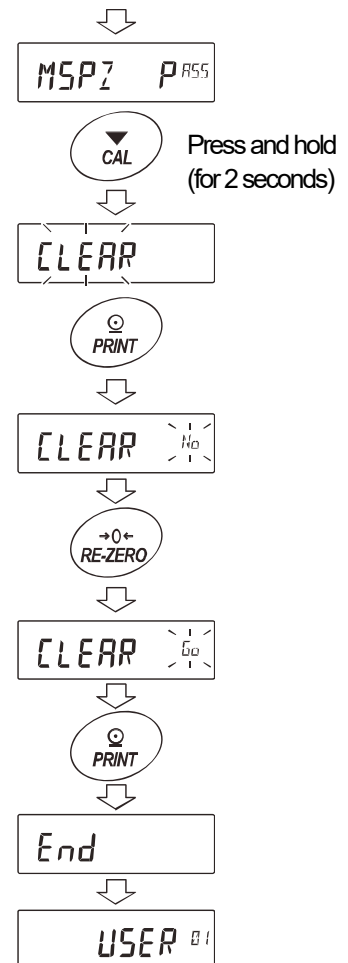
15-8. Deleting the Password (USER 01 to 10)

- 1 Refer to "15-7. How to Change the Password" to select the user (USER 01 to 10) whose password to be deleted, and to display the password.
- 2 Press and hold the **CAL** key to display **CLEAR** (blinking).
- 3 Press the **PRINT** key to display **CLEAR** \rightarrow Ho.
- 4 Press the **RE-ZERO** key to switch between "Go" and "No".
- 5 While **CLEAR** \rightarrow Ho is displayed, press the **PRINT** key to delete the password. The balance displays **End** and then displays the login level.

Note

- The administrator password cannot be deleted, but it can be changed. Refer to "15-6. Storing or Changing the Password" and "15-7. How to Change the Password" to change it.

Refer to "15-7. How to Change the Password".



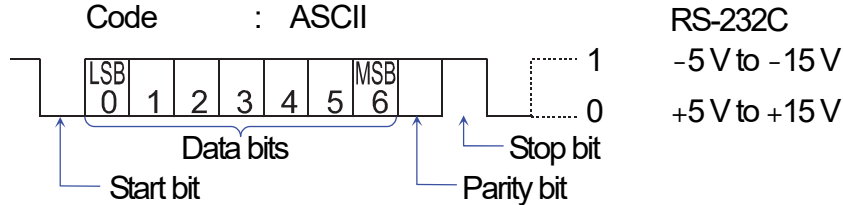
15-9. If the Password Is Lost or Forgotten

If you have forgotten the password, the balance cannot be used. Contact your local A&D dealer to remove the password.

16.RS-232C Serial Interface

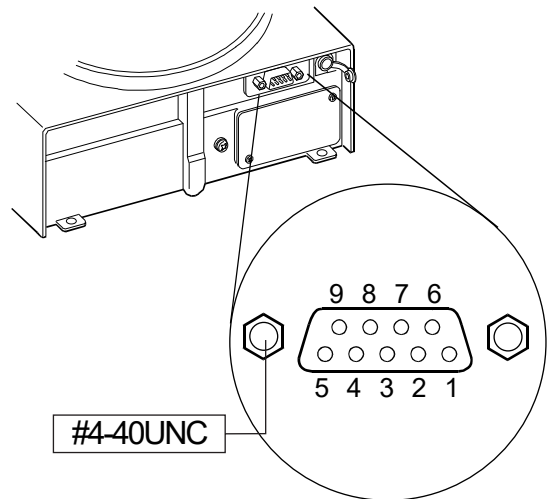
The balance is a Data Communication Equipment (DCE) device. Connect the balance to a personal computer (DTE) using a straight through cable.

- Transmission system : EIA RS-232C (D-Sub 9-pin, female connector)
- Transmission form : Asynchronous, bi-directional, half duplex
- Transmission rate : Approx. 10 or 5 times/second (same as data refresh rate)
- Data format : Baud rate : 600, 1200, 2400, 4800, 9600, 19200 bps
 - Data bits : 7 or 8 bits
 - Parity : Even, Odd (Data bits 7 bits)
 - None (Data bits 8 bits)
 - Stop bit : 1 bit
 - Code : ASCII

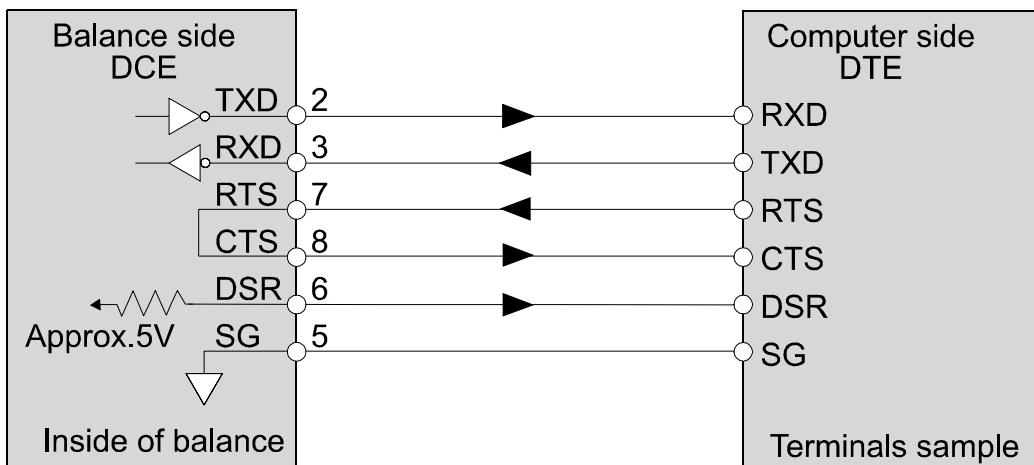


D-Sub 9-Pin Assignments

Pin No.	Signal name	Direction	Description
1	-	-	Same potential as SG *1
2	TXD	Output	Transmit data
3	RXD	Input	Receive data
4	-	-	No connection
5	SG	-	Signal ground
6	DSR	Output	Data set ready
7	RTS	Input	Request to send
8	CTS	Output	Clear to send
9	-	-	12V output *1



Signal names of the balance side are the same as the DTE side with TXD and RXD reversed.



*1 Used with some peripheral devices manufactured by A&D.
Do not wire them connecting to other companies' products such as PC and PLCs.
Using the wrong connection cable may damage the device. Be sure to check the compatible cable.

17. Connection to Peripheral Equipment

17-1. Connection to the AD-8121B Printer

Set the following parameters to use the AD-8121B printer.

Example of use	AD-8121B mode setting
To print A&D standard format weight data, using the HR-AZ / HR-A PRINT key or auto print mode. (The time and date can be added.)	MODE 1
To print A&D standard format weight data, using the AD-8121B DATA key or AD-8121B built-in timer. (The time and date can be added.)	MODE 2
To print, using the AD-8121B chart printing function.	MODE 3
To print the HR-AZ / HR-A statistical data.	MODE 3
To print GLP output.	MODE 3

Class	Item and Parameter	Factory setting	AD-8121B MODE 1	AD-8121B MODE 2	AD-8121B MODE 3
<i>dout</i> Data output	<i>Prt</i> Data output mode	0	0, 1, 2, 4, 5 *1	3	0, 1, 2, 4, 5 *1
	<i>PUSE</i> Data output pause	0	0	0	0, 1 *2
<i>SIF</i> Serial interface	<i>bPS</i> Baud rate	2	2	2	2
	<i>btPr</i> Data bit, parity bit	0	0	0	0
	<i>CrLF</i> Terminator	0	0	0	0
	<i>tYPE</i> Data format	0	0	0	1

*1 Set appropriate parameters for "AP-P (Auto print polarity)" and "AP-b (Auto print difference)" when auto print mode A or B (*Prt* 1 or 2) is selected.

Set the AD-8121B DIP switch No.3 to ON when unstable data is printed with "*Prt* 4".

*2 Set 1 when multiple lines are printed in the HR-AZ / HR-A statistical calculation mode.

Notes

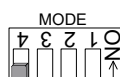
- Refer to "11-2. GLP Report" for print samples. Settings of AD-8121B DIP switches.

MODE	AD-8121B DIP switch	Description
MODE 1		Print at receiving data. Standard mode, statistical calculation mode
MODE 2		Print by the AD-8121B DATA key operation or AD-8121B built-in timer. Standard mode, interval mode, chart mode
MODE 3		Print at receiving data. Dump print mode

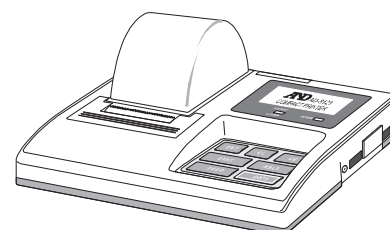
DIP switch No.3 : Handling unstable data

ON Print

OFF Not printed



Set the DIP switch No.4 to OFF.



17-2. Connecting to the AD-8127 Printer

When connecting the AD-8127 printer to the balance for printing weighing data, configure the printer and the balance as follows according to the following examples.

Function Settings of the Printer

Example of use	Multi printer AD-8127 Printing mode settings
When printing the balance weighing data with the balance's <input type="button" value="PRINT"/> key or its "Auto print" mode.	EXT.KEY
When printing the balance weighing data with the printer's "Printing" key or its "TIMER" mode. When printing charts with the printer.	MANUAL AUTO TIMER CHART
When printing the balance's statistical calculation results. When printing the balance's GLP report.	DUMP

- Refer to the instruction manual of the AD-8127 printer for how to change the function settings of the AD-8127 printer.

Function Settings of the Balance

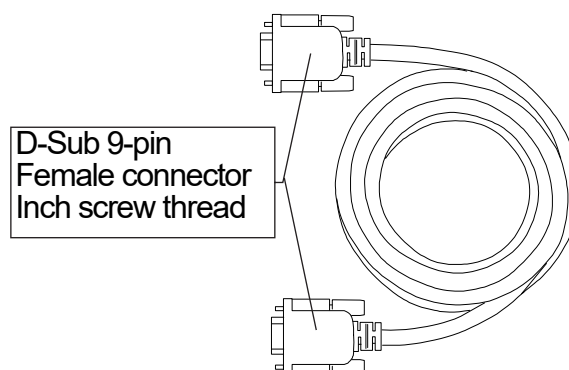
Example of use	Balance <i>Prt</i> Data output mode	Balance <i>TYPE</i> Data format
When printing the balance weighing data with the balance's <input type="button" value="PRINT"/> key or its "Auto print" mode.	0, 1, 2, 4, 5	0
When printing the balance weighing data with the printer's "Printing" key or its "TIMER" mode. When printing charts with the printer.	3, 6	0
When printing the balance's statistical calculation results. When printing the balance's GLP report.	0, 1, 2, 4, 5, 6	1

- Refer to "10. Function Table" for how to change the function settings of the balance.

17-3. Connection to a Computer

The balance can be connected to a personal computer using the RS-232C serial interface. As an option, the FXi-02 USB interface is available to transmit the balance data to a personal computer.

The balance is a DCE device. Use a straight through cable when connecting to a personal computer. A commercially available modem cable can be used. When purchasing, confirm the following specifications.



17-4. Using Windows Communication Tools (WinCT)

When Windows is used as an operating system in a personal computer, the WinCT software, that is downloaded from the A&D website, can be used to transmit the weight data to the personal computer. The WinCT has three communication methods: "RsCom", "RsKey" and "RsWeight".

RsCom

- Can transmit commands to control the balance.
- Can make bi-directional communication between the balance and a personal computer using the RS-232C serial interface.
- Can display or store the data using a text file format. Can also print the data using a printer connected to a personal computer.
- When several ports of a personal computer have balances connected, can communicate with each balance simultaneously.
- Can share a personal computer with other application software.

RsKey

- Can transmit the weight data output from the balance directly to other application software such as Microsoft Excel.
- Can be used with most application software.

RsWeight

- Can retrieve the weight data from the balance and display the data as a graph in real time.
- Can calculate and display the maximum, minimum, average, standard deviation and coefficient of variation.

Using the WinCT Software, the Balance Can Do the Following:

- 1 Analyzing the weight data and the statistics with "RsKey"
The weight data can be input directly into an Excel worksheet. Then, Excel can analyze the data to obtain sum, average, standard deviation, maximum and minimum value, and display them as a graph.
- 2 Controlling the balance using commands from a personal computer
By using "RsCom", the personal computer sends commands such as "re-zero" or "send weight data" to the balance and controls the balance.
- 3 Printing the balance GLP report using your printer
The balance GLP report can be printed using a printer connected to a personal computer.
- 4 Receiving weight data at a certain interval
The weight data can be received at a certain interval and data characteristic with elapsed time can be obtained.
- 5 Using a personal computer as an external indicator
With the "RsKey" test mode function, a personal computer can be used as an external weight indicator for the balance. (To do this, set the balance data output mode to stream mode.)

18. Commands

18-1. Command List

Note

- A command has a terminator added, that is specified using the "Terminator (CrLf)" parameter of "Serial interface (SIF)" in the function table, and is sent to the balance.

Commands to Query Weight Data

C	Cancels the S or SIR command.
Q	Requests the weight data immediately.
S	Requests the weight data when stabilized.
SI	Requests the weight data immediately.
SIR	Requests the weight data continuously.
EscP	Requests the weight data when stabilized.

Note: The "Q" and "SI" commands, the "S" and "EscP" commands behave the same.

Commands to Control the Balance

CAL	Same as the <input type="button" value="CAL"/> key.
EXC *	Calibration using an external weight.
OFF	Turns the display off.
ON	Turns the display on.
P	Same as the <input type="button" value="ON:OFF"/> key.
PRT	Same as the <input type="button" value="PRINT"/> key.
R	Same as the <input type="button" value="RE-ZERO"/> key.
SMP	Same as the <input type="button" value="SAMPLE"/> key.
T	Tare key.
Z	Same as the <input type="button" value="RE-ZERO"/> key.
EscT	Same as the <input type="button" value="RE-ZERO"/> key.
U	Same as the <input type="button" value="MODE"/> key.
?ID	Requests the ID number.
?SN	Requests the serial number.
?TN	Requests the model name.
?PT	Requests the tare weight.
PT: ***.**** <input type="button" value="g"/>	Changes the tare weight. The unit added is the current weighing unit in A&D standard format.
KL: ***	KL:000 Unlocks all keys. KL:001 Locks all keys. (Refer to "19. Key Lock Function")
?KL	Requests locking all keys status.
LK: ***	Locks the specified key. Enter numerical values from 00000 to 00063 in place of ***. (Refer to "19. Key Lock Function")
?LK	Requests locking the specified keys status. (Refer to "19. Key Lock Function")

Note

- The "R", "Z" and "EscT" commands behave the same.

Esc : ASCII code 1Bh

* : Only for the HR-AZ series

18-2. Acknowledge Code and Error Codes

When the "AK, Error code (ErrCd)" parameter of "Serial interface (SIF)" is set to "I", the balance outputs <AK> code or an error code for each command as follows:

<AK> (06h) Acknowledge in ASCII code.

- When the balance receives a command to request data and can not process it, the balance transmits an error code (EC, Exx).

When the balance receives a command to request data and can process it, the balance outputs the data.

- When the balance receives a command to control the balance and can not process it, the balance transmits an error code (EC, Exx).

When the balance receives a command to control the balance and can process it, the balance transmits the acknowledge code.

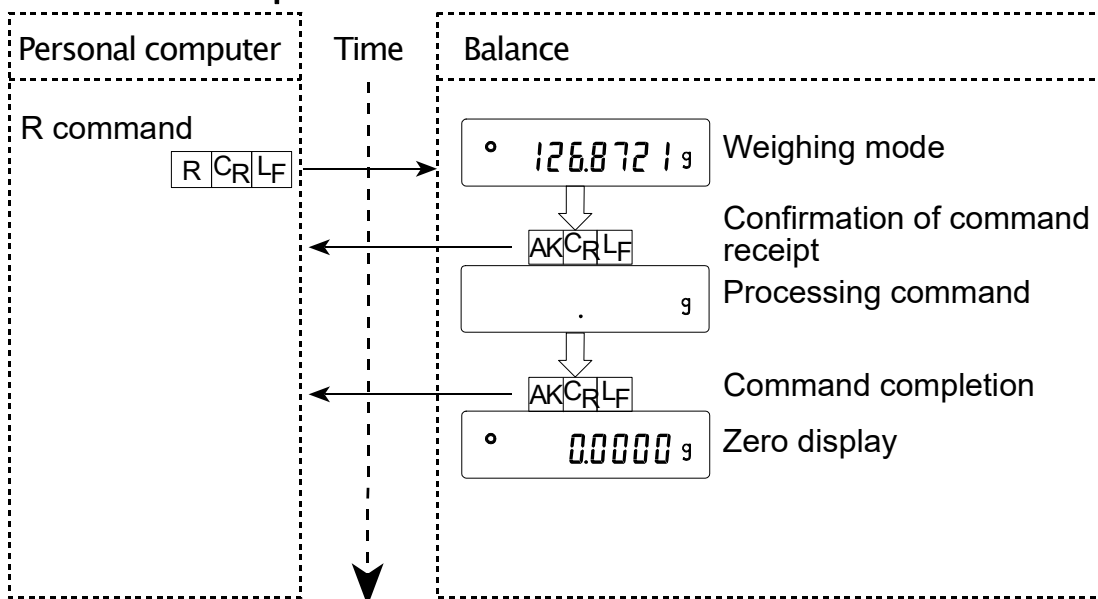
Among commands to control the balance, the following transmit the acknowledge code both when the balance receives the command and when the balance has accomplished the command. If the command can not be processed properly, the balance transmits an error code (EC, Exx). This error can be released using the CAL command.

CAL command (When performing the calibration using a calibration weight)

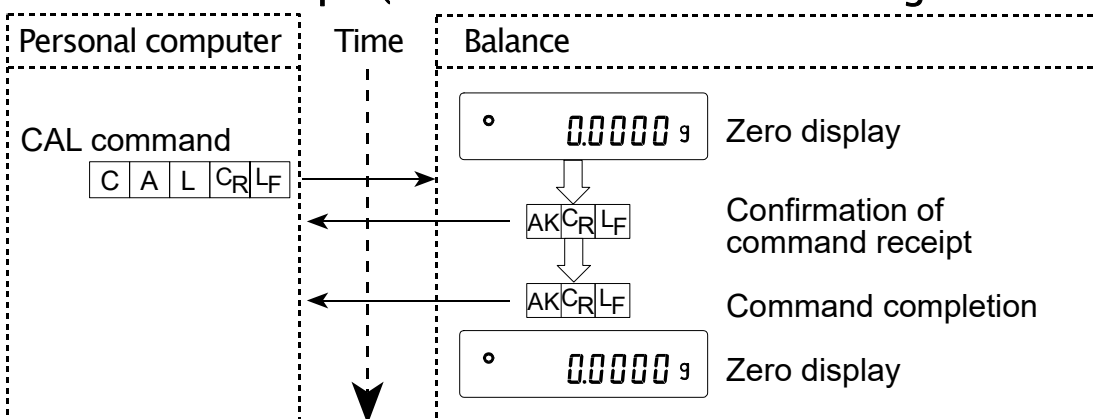
ON command, P command

R command, Z command, T command (When setting the display to zero)

R Command Example

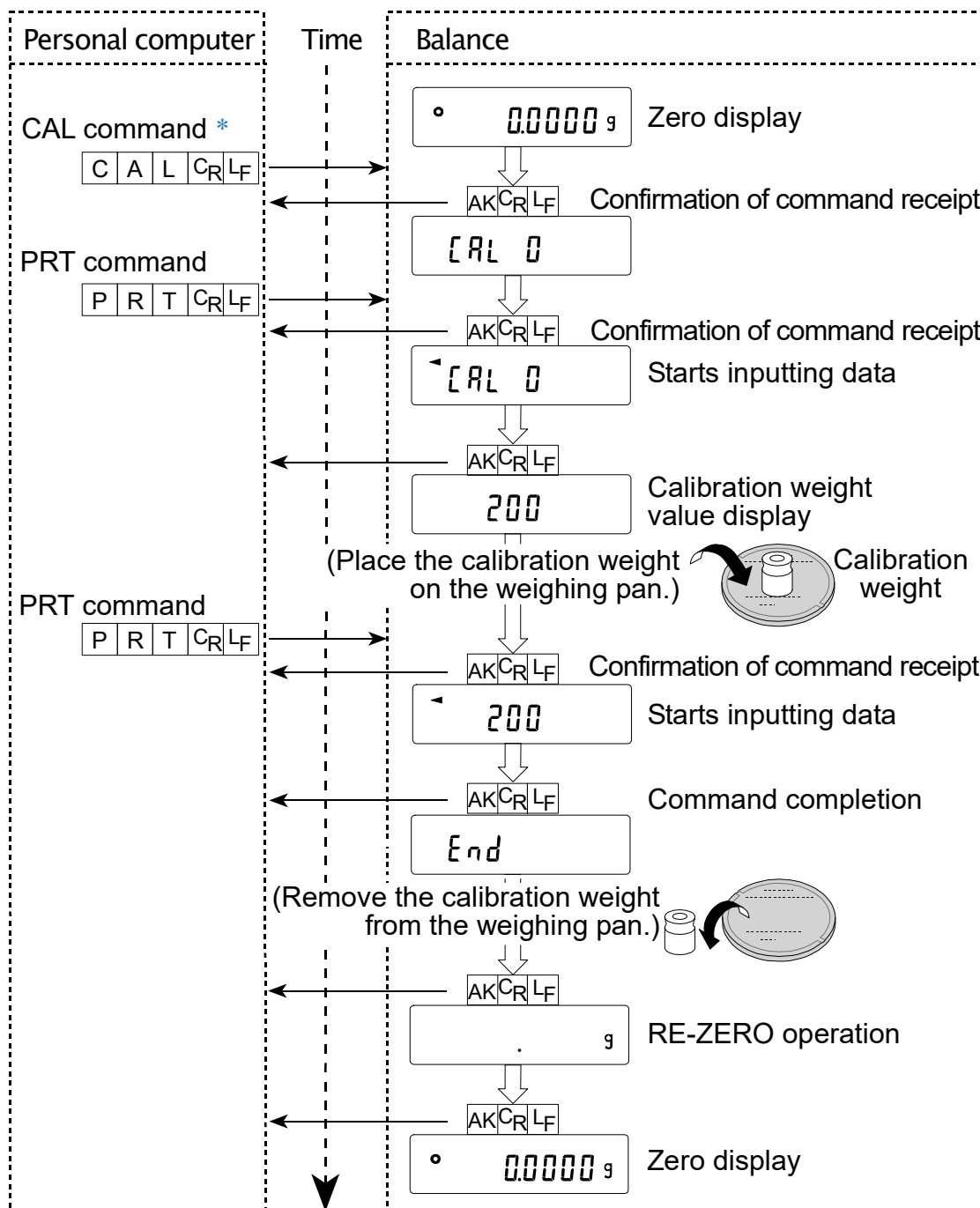


CAL Command Example (HR-AZ Series: Calibration Using the Internal Mass)

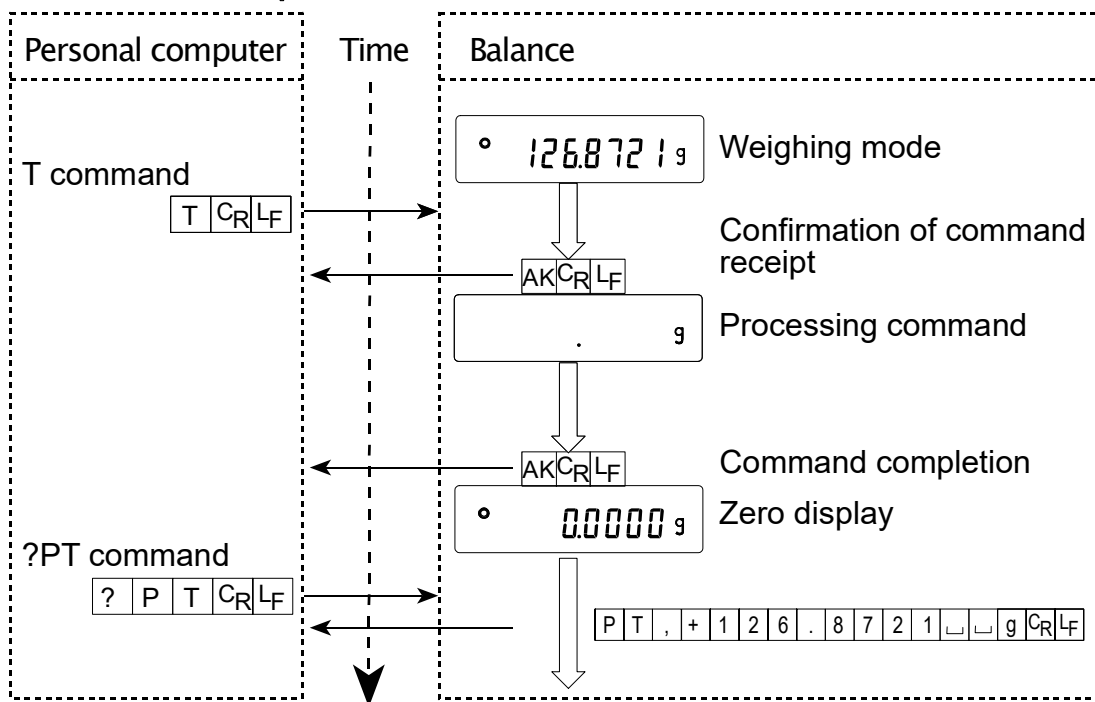


CAL Command Example (HR-A Series: Calibration Using an External Weight)

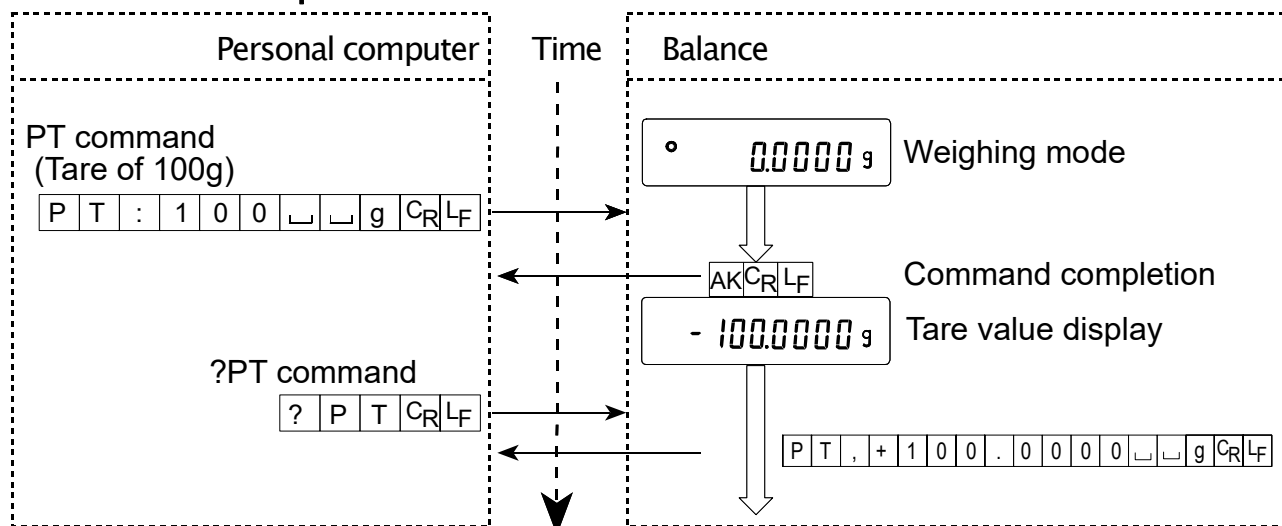
* : EXC command for HR-AZ series



T Command Example



PT Command Example



- When a communication error has occurred due to external noise, or a parity error has occurred due to transmission error, the balance transmits an error code. In this case, send the command again.

18-3. Settings Related to RS-232C

Concerning the RS-232C, the balance has two functions: "Data output (*dout*)" and "Serial interface (*5 iF*)". Set each function as necessary.

19. Key Lock Function

Sending specified commands to the balance will lock the keys on the balance to disable the key functions. This is useful for controlling the balance only by an external device such as a personal computer.

- Even if the keys are locked, key operations using commands are available. For details on commands to operate the keys, refer to "18. Commands".
- The key lock state can be checked using the command to request the state of the balance keys.
- The key lock state is maintained until the balance receives the key unlocking command or the balance is turned off by removing the AC adapter.

19-1. Locking All the Keys

Using the KL command, all the keys on the balance can be disabled.

Command string	Description
KL: ***	KL, 000 Unlocks all the keys KL: 001 Locks all the keys Enter 000 or 001 in place of ***.
?KL	Requests the state of the all key lock function. KL, 000 All keys unlocked KL, 001 All keys locked

19-2. Locking the Specified Keys

Entering numerical values ***** to the LK command will lock specified keys on the balance to disable their key functions. Set the numerical values ***** by adding the decimal numbers converted from bits assigned to each key as shown below.

The LK command is available for balances with software version 1.860 and later.

Bits	Decimal	Keys
0	1	ON:OFF
1	2	CAL
2	4	MODE
3	8	SAMPLE
4	16	PRINT
5	32	RE-ZERO

Example: Locking All the Keys Excluding the PRINT Key

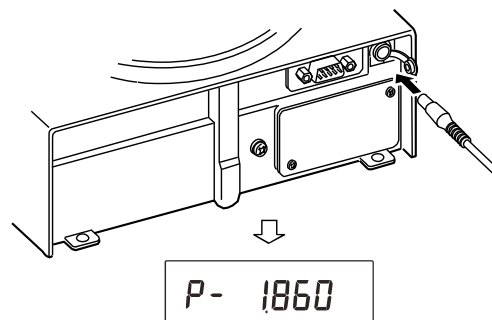
- 1 Add the decimal numbers corresponding to the keys to be locked.
1 (ON:OFF) + 2 (CAL) + 4 (MODE) + 8 (SAMPLE) + 32 (RE-ZERO) = 47
- 2 Send the LK command to the balance with the sum that is obtained in Step 1. LK: 00047

Command string	Description
LK: *****	Locks the specified keys. e.g.: LK: 00047 Locks all the keys excluding the PRINT key. Enter the numerical values 00000 to 00063 in place of *****.
?LK	Requests the state of the specified key lock function. e.g.1: LK, 00047 Locks all the keys excluding the PRINT key. e.g.2: LK, 00000 All keys unlocked.

20. Checking the Balance Software Version

Specifications may vary depending on the software version of the balance. The software version can be checked by the following procedure.

- 1 Reinsert the AC adapter of the balance.
- 2 P-*.**** is displayed.
The number shown in place of "*.****" is the software version.



21. Maintenance

- Do not use organic solvents to clean the balance. Clean the balance with a lint free cloth that is moistened with warm water and a mild detergent.

Balance main unit.	Use a soft, lint free cloth that is moistened with a mild detergent to clean.
Weighing pan	The edge of the weighing pan is sharp. Use caution when cleaning the pan.
Breeze break (standard accessory)	An antistatic treatment has been applied to the breeze break components. Use a soft, dry, lint free cloth to clean. Cleaning with a cloth that is moistened with water or a mild detergent repetitively, or washing with water, may degrade the antistatic effect.

- Do not disassemble the balance. Contact the local A&D dealer if the balance needs service or repair.
- Use the original packing material for transportation.

22. Troubleshooting

22-1. Checking the Balance Performance and Environment

The balance is a precision instrument. When the operating environment or the operating method is inadequate, correct weighing can not be performed. Place a sample on the pan and remove it, and repeat this several times. If the balance seems to have a problem with repeatability or to perform improperly, check as described below. Also, visit our website, <http://www.aadd.jp/>, for "Information Library" and "FAQ". If improper performance persists after checking, contact the local A&D dealer for repair.

Checking That the Balance Performs Properly

- Check the balance repeatability using an external weight. Be sure to place the weight in the center of the weighing pan.
- Check the balance repeatability, linearity and calibrated value using external weights with a known value.

Checking That the Operating Environment or Weighing Method Is Proper Operating Environment

- Is the weighing table solid enough?
- Is the balance level? Refer to "3-1. Before Use".
- Is the operating environment free from vibration and drafts? Has the breeze break been installed?
- Is there a strong electrical or magnetic noise source such as a motor near the balance?

Weighing Method

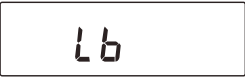
- Is the weighing pan installed correctly?
- Is the **RE-ZERO** key pressed before placing a sample on the weighing pan?
- Is the sample placed in the center of the weighing pan?
- Has the balance been calibrated using an external weight? (Or one-touch calibration, only for the HR-AZ series)
- Has the balance been warmed up for 30 minutes before weighing?

Sample and Container

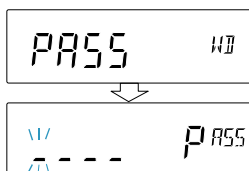
- Has the sample absorbed or lost moisture due to the ambient conditions such as temperature and humidity?
- Has the temperature of the container been allowed to equalize to the ambient temperature? Refer to "3-2. During Use".
- Is the sample charged with static electricity? Refer to "3-2. During Use".
The HR-AZ / HR-A series balances are prone to be charged with static electricity when the relative humidity is low.
- Is the sample of magnetic material such as iron? Caution is required for weighing magnetic materials. Refer to "3-2. During Use".

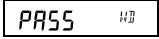
22-2. Error Codes

Display	Error code	Description
Error 1	EC, E11	Stability error The balance can not stabilize due to an environmental problem. Prevent vibration, drafts, temperature changes, static electricity and magnetic fields. Refer to "3. Precautions" for details on the operating environment and "7. Response Adjustment" about adapting the balance to the environment. To return to the weighing mode, press the <input type="button" value="CAL"/> key.
Error 2		Out of range error The value entered is beyond the settable range. Re-enter the value.
Error 7	EC, E17	Internal mass error (Only for the HR-AZ series) The internal mass application mechanism does not function properly. Perform the weighing operation from the beginning again.
CAL E	EC, E20	Calibration weight error The calibration weight is too heavy. Confirm that the weighing pan is properly installed. Confirm the calibration weight value. Press the <input type="button" value="CAL"/> key to return to the weighing mode.
-CAL E	EC, E21	Calibration weight error The calibration weight is too light. Confirm that the weighing pan is properly installed. Confirm the calibration weight value. Press the <input type="button" value="CAL"/> key to return to the weighing mode.
E		Overload error A sample beyond the balance weighing capacity has been placed on the pan. Remove the sample from the pan.
-E		Weighing pan error The weight value is too light. Confirm that the weighing pan and pan support are properly installed. Press the <input type="button" value="ON:OFF"/> key two times to return to the weighing mode. If the error still persists, calibrate the balance.
Lo		Sample mass error The balance can not store the sample for the counting mode or for the percent mode because it is too light. Use a sample that is heavier.
25 - PES 50 - PES 100 - PES		Unit mass error The sample unit mass for the counting mode is too light. Storing and using it for counting will cause a counting error. Add samples to reach the specified number and press the <input type="button" value="PRINT"/> key. Pressing the <input type="button" value="PRINT"/> key without adding samples will shift the balance to the counting mode. But, to acquire accurate weighing, be sure to add samples.
Error 0		Balance internal error If this error appears persistently, contact the local A&D dealer.
rbc PF		Battery error for clock The back-up battery power for the clock was lost completely. After pressing one of the keys, adjust the date and time. Even if the back-up battery power for the clock was lost and the balance is on or in the standby state, the balance performance will be normal. When this error appears frequently, repair is required.

Display	Error code	Description
		Low battery error Voltage of the power supply drops. Confirm whether the correct AC adapter is used. If using a rechargeable battery unit, change it.
EC, E00		Communications error A protocol error occurred in communications. Confirm the format, baud rate and parity.
EC, E01		Undefined command error An undefined command was received. Confirm the command.
EC, E02		Not ready A received command can not be processed. e.g. The balance received a Q command, but not in the weighing mode. e.g. The balance received a Q command while processing a RE-ZERO command. Adjust the delay time to transmit the command.
EC, E03		Timeout error If the timeout parameter is set to "L-UP 1", the balance did not receive the next character of a command within the time limit of one second. Confirm the communication.
EC, E04		Excess characters error The balance received excessive characters in a command. Confirm the command.
EC, E06		Format error A command includes incorrect data. e.g. The data is numerically incorrect. Confirm the command.
EC, E07		Parameter setting error The received data exceeds the range that the balance can accept. Confirm the parameter range of the command.
Other errors		If the errors described above can not be released or other errors are displayed, contact the local A&D dealer.

22-3. Other Display



The display () of the password input is displayed when using the password function and turning on the balance.
Enter a correct password. Refer to "15. Password Function".

22-4. Asking for Repair

If the balance needs service or repair, contact the local A&D dealer.

The balance is a precision instrument. Use much care when handling the balance and observe the following when transporting the balance.

- Use the original packing material.
- Remove the weighing pan from the main unit

23. Options and Peripheral Equipments

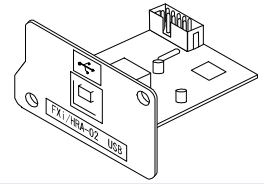
Note

- The FXi-02, FXi-08 and FXi-09 can not be used at the same time.

FXi-02 USB Interface

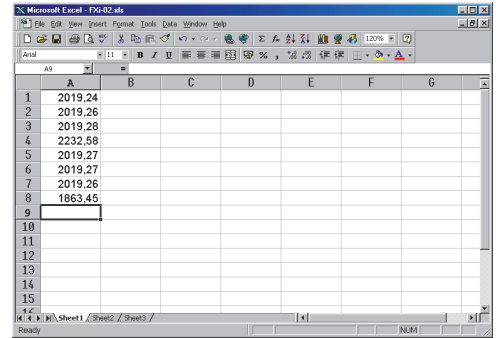
(Installed in the balance, Applicable OS: Windows 98 OSR2 or later)

- Used to transmit the balance weight data (numerical value only) uni-directionally to a personal computer via USB.
- Can transmit the balance weight data (numerical value only) directly to application software such as Microsoft Excel, Word and memo pad.
- Driver installation is not necessary.



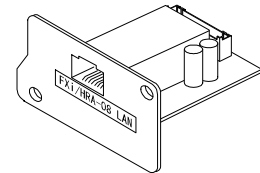
Note

- To perform bi-directional communication using WinCT or input statistical data or GLP data to a personal computer, use the USB converter (AX-USB-9P-EX)

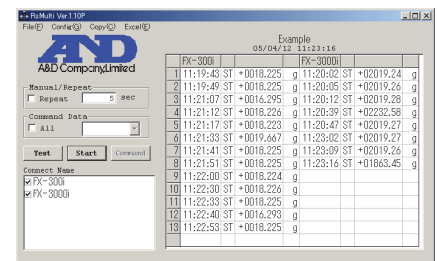


FXi-08 Ethernet Interface

- Used to connect the balance to a LAN.
- The "WinCT-Plus" data communication software is provided as a standard accessory and can perform the following.
 - Acquire data from multiple balances connected to a LAN.
 - Control these balances with commands.
 - Acquire data transmitted from balances.
- Example: When pressing the **PRINT** key of the balance, data is output and is acquired by the computer.
- The stored data can be used with Microsoft Excel (if installed).



FXi-08 Example of use



FXi-09 Built-In Battery Unit (Ni-MH Rechargeable Battery Pack)

- Charging time: Approximately 10 hours.
- Continuous operation hours: Approximately 8 hours

Note

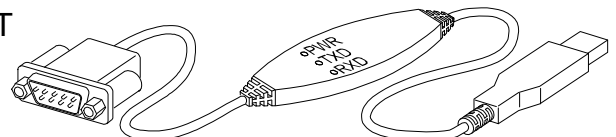
- The charging time depends on the operating environment. During charging, the balance is not available for use.

AX-FXi-31 Main Unit Cover

- Main unit protective cover provided as a standard accessory.

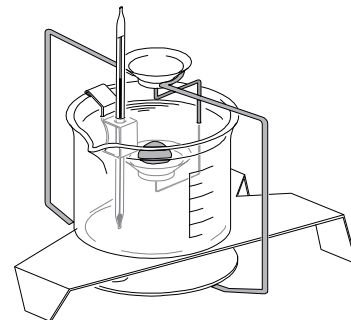
AX-USB-9P USB Converter

- Adds a COM port to a PC.
- Enables bi-directional communication between the PC and the balance when a USB driver is installed.
- Can use serial communication software such as WinCT on a PC without COM ports.



AD-1654 Density Determination Kit

- When using this kit and HR-AZ / HR-A / FZ-*i* / FX-*i* balances, the density of a liquid sample and a solid sample can be calculated.



AD-1671 Anti-Vibration Table

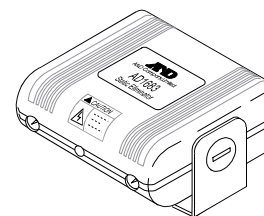
- A 27-kg table with vibration-absorbing rubber feet, to reduce vibration coming from the floor to enable stable weighing.
- Use the AD-8922A remote controller to avoid weighing errors that can be caused by slight table tilting when operating the scale manually.

AD-1672 Tabletop Breeze Break

- Protects the balance from wind from sources such as air conditioning or people passing by, thereby reducing balance weighing error.
- The transparent panel assembly consists of antistatic plastic material that protects the balance from static electricity.

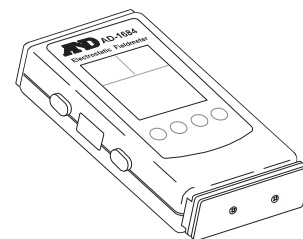
AD-1683 DC Static Eliminator

- Used to minimize weighing errors due to static electricity on the material. The AD-1683 is direct-current static eliminator. The ions generated produce no breeze and are effective over a long distance. Therefore, the balance can accurately weight powders, etc. by using the AD-1683.



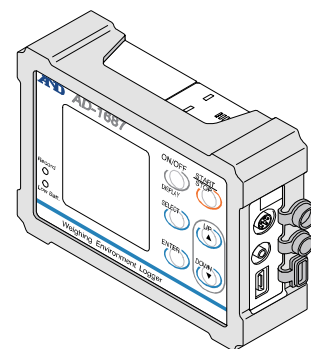
AD-1684 Electrostatic Field Meter

- This option measures the amount of the static charge on the sample, tare or peripheral equipment and displays the result. If those are found to be charged, discharge them using the AD-1683 DC static eliminator.



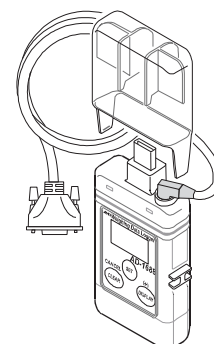
AD-1687 Weighing Environment Logger

- A data logger equipped with 4 sensors for temperature, humidity, barometric pressure and vibration that can measure and store environmental data.
- When connected to the RS-232C interface of the balance, the AD-1687 can store environmental data along with weighing data. Therefore, it is possible to store data in an environment where a computer can not be used.
- The stored data can be read to a personal computer using USB. As the AD-1687 is recognized as USB memory, special software is not required to read the data.



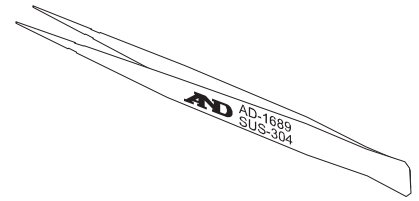
AD-1688 Data Logger

- When connected to the RS-232C interface of the balance, the AD-1688 can store the data in an environment where a personal computer can not be used.
- The stored data can be read to a personal computer using USB. As the AD-1688 is recognized as USB memory, special software is not required to read the data.



AD-1689 Tweezers for Calibration Weight

- A pair of tweezers ideally suited for holding calibration weights of 1 g to 500 g.



AD-8127 Multi-Printer

- Small dot impact printer that connects to the balance via the RS-232C interface.
- Statistical calculation mode, calendar/clock function, interval printing mode, chart printing mode, dump printing mode.

AD-8920A Remote Display

- Connected to the balance using the RS-232C serial interface to display the weight data away from the balance.

AD-8922A Remote Controller

- Connected to the balance using the RS-232C serial interface to display the weight data and to remotely control the balance.
- Analog output and comparator output available as an option to be installed.

AD-8529PC-W Bluetooth Converter (for Connecting a Personal Computer)

- This option connects a personal computer to the balance wirelessly (via Bluetooth®) up to 10m.
- Driver installation is required.

AD-8529PR-W Bluetooth Converter (for Connecting a Printer)

- This option connects a printer to the balance wirelessly (via Bluetooth®) up to 10m.

24. Specifications

	HR-250AZ	HR-251AZ	HR-150AZ	HR-100AZ
Weighing capacity	252 g	252 g 62 g	152 g	102 g
Maximum display	252.0084 g	252.008 g 62.0009 g ^{*1}	152.0084 g	102.0084 g
Minimum weighing value (1 digit)	0.1 mg	1 mg 0.1 mg	0.1 mg	
Repeatability Standard deviation	0.2 mg/200-250 g 0.1 mg/ 0-200 g	0.5 mg 0.1 mg	0.1 mg	
Linearity	±0.3 mg	±1 mg ±0.3 mg	±0.2 mg	
Stabilization time (typical at FAST)	Approx. 2 second ^{*2}			
Sensitivity drift (10 °C - 30 °C / 50 °F - 86 °F)	±2 ppm/°C			
Internal mass	Yes			
Clock and calendar function	Yes			
Operating environment	5 °C to 40 °C (41 °F to 104 °F) 85 %RH or less (No condensation)			
Display refresh rate	Approx. 5 ^{*3} , 10 times/second			
Counting mode	Minimum unit mass	0.1 mg	1 mg	0.1 mg
	Number of samples	10, 25, 50 or 100 pieces		
Percent mode	Minimum 100% reference mass	10.0 mg	100 mg	10.0 mg
	Minimum 100% display	0.01%, 0.1%, 1% (Depends on the reference mass stored.)		
Interface	RS-232C			
External calibration weight	250 g 200 g 100 g 50 g	250 g 200 g 100 g 50 g 20 g	150 g 100 g 50 g	100 g 50 g
Weighing pan diameter	90 mm			
External dimensions	198(W) x 294(D) x 315(H) mm			
AC adapter	Confirm that the adapter type is correct for the local voltage and power receptacle type			
Power consumption	Approx. 11 VA (supplied to the AC adapter)			
Mass of product	Approx. 3.9 kg			

*1: The balance allows weighing using a precision range, even with a heavy tare placed on the pan. (Smart range function)

*2: With MID., factory setting of the rate of the response adjustment, the stabilization time is approx. 3 seconds.

*3: Factory setting

	HR-250A	HR-251A	HR-150A	HR-100A
Weighing capacity	252 g	252 g 62 g	152 g	102 g
Maximum display	252.0084 g	252.008 g 62.0009 g ^{*1}	152.0084 g	102.0084 g
Minimum weighing value (1 digit)	0.1 mg	1 mg 0.1 mg	0.1 mg	
Repeatability Standard deviation	0.2 mg/200-250 g 0.1 mg/ 0-200 g	0.5 mg 0.1 mg	0.1 mg	
Linearity	±0.3 mg	±1 mg ±0.3 mg	±0.2 mg	
Stabilization time (typical at FAST)	Approx. 2 second ^{*2}			
Sensitivity drift (10 °C - 30 °C / 50 °F - 86 °F)	±2 ppm/°C			
Internal mass	No			
Clock and calendar function	No			
Operating environment	5 °C to 40 °C (41 °F to 104 °F) 85 %RH or less (No condensation)			
Display refresh rate	Approx. 5 ^{*3} , 10 times/second			
Counting mode	Minimum unit mass	0.1 mg	1 mg	0.1 mg
	Number of samples	10, 25, 50 or 100 pieces		
Percent mode	Minimum 100% reference mass	10.0 mg	100 mg	10.0 mg
	Minimum 100% display	0.01%, 0.1%, 1% (Depends on the reference mass stored.)		
Interface	RS-232C			
External calibration weight	250 g 200 g 100 g 50 g	250 g 200 g 100 g 50 g 20 g	150 g 100 g 50 g	100 g 50 g
Weighing pan diameter	90 mm			
External dimensions	198(W) x 294(D) x 315(H) mm			
AC adapter	Confirm that the adapter type is correct for the local voltage and power receptacle type			
Power consumption	Approx. 11 VA (supplied to the AC adapter)			
Mass of product	Approx. 3.5 kg			

*1: The balance allows weighing using a precision range, even with a heavy tare placed on the pan. (Smart range function)

*2: With factory setting of the rate of the response adjustment, the stabilization time is approx. 3 seconds.

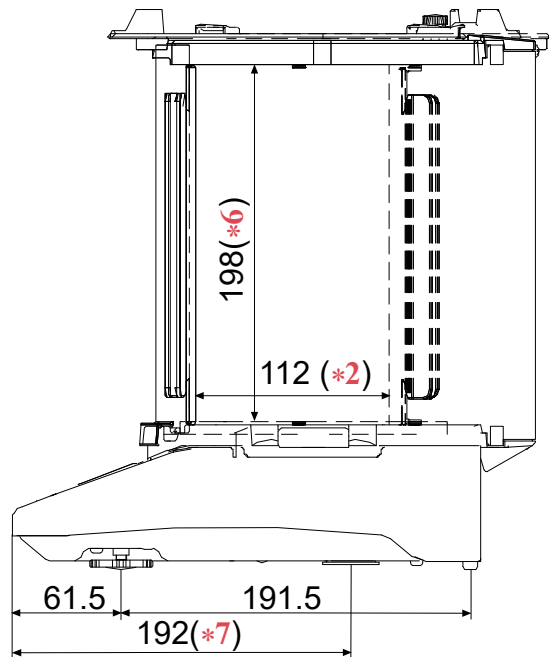
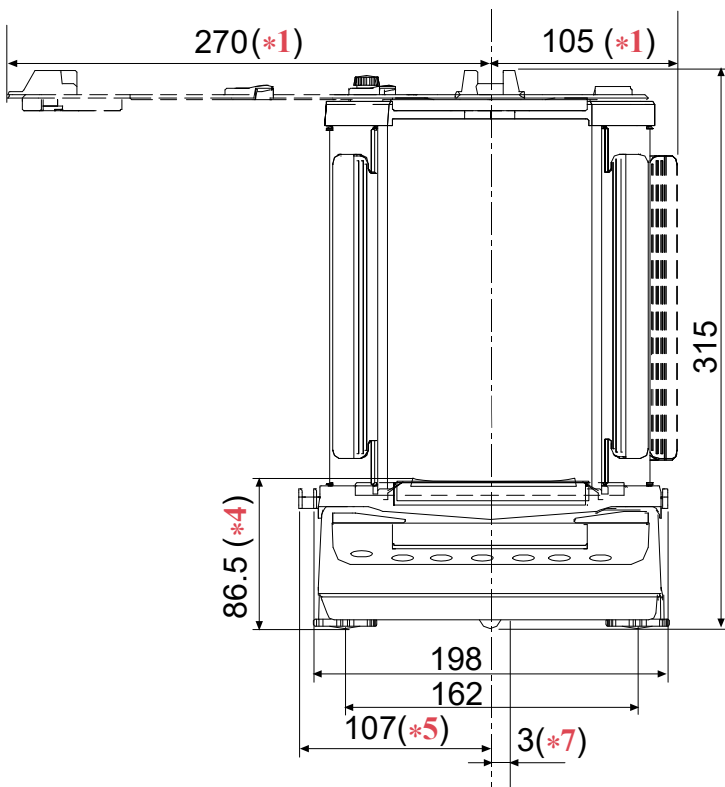
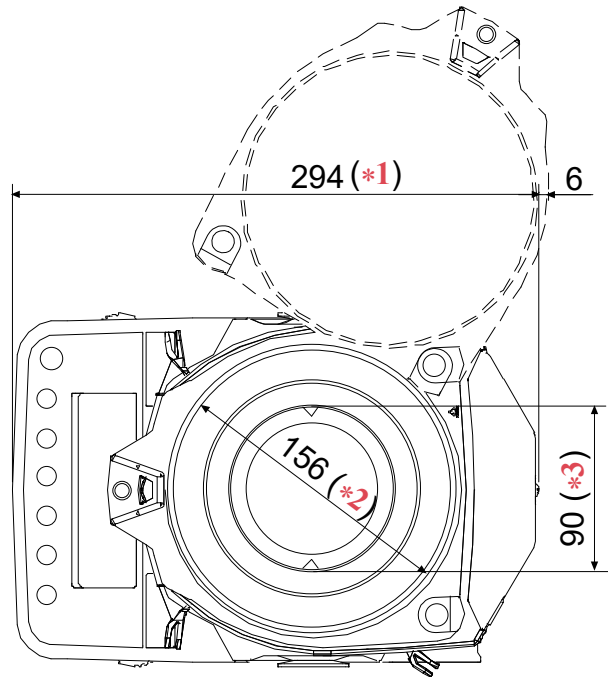
*3: Factory setting

25. External Dimensions

HR-100A HR-150A HR-250A HR-251A
 HR-100AZ HR-150AZ HR-250AZ HR-251AZ

Unit : mm

- *1: When opening maximum
- *2: Inside dimension
- *3: Weighing pan diameter
- *4: Height up to the weighing pan
- *5: When pulling out the locking handle
- *6: Inside dimension (from up to the weighing pan)
- *7: Underhook position (hole center)




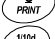








26. Terms/Index

26-1. Terms

Stable value	The weight data when the stabilization indicator appears.
Environment	Ambient conditions such as vibration, drafts, temperature, static electricity and magnetic fields which affect the weighing operation.
Calibration	Adjustment of the balance so that it can weigh accurately.
Output	To output the weight data using the RS-232C serial interface.
Zero point	A weighing reference point or the zero display. Usually refers to the value displayed when nothing is on the weighing pan.
Digit	Unit of digital resolution. Used for the balance, a unit of minimum weighing value.
Tare	To cancel the weight of a container which is not included in the weight data.
Mode	Balance operational function.
Re-zero	To set the display to zero.
GLP	Good Laboratory Practice.
GMP	Good Manufacturing Practice.
Repeatability	Variation in measured values obtained when the same weight is placed and removed repetitively. Usually expressed as a standard deviation. e.g. Standard deviation=1 digit: This means that measured values fall within ± 1 digit in the frequency of about 68%.
Stabilization time	Time required after a sample being placed, until the stabilization indicator illuminates and the weight data is displayed.
Sensitivity drift	An affect that a change in temperature causes to the weight data. Expressed as temperature coefficient. e.g. Temperature coefficient = 2 ppm/ $^{\circ}$ C : If a load is 200 g and the temperature changes by 10 $^{\circ}$ C, the value displayed changes by the following value. $0.0002\%/^{\circ}$ C x 10 $^{\circ}$ C x 200 g = 4 mg

26-2. Index

- Left, Upper, Lighting, Stabilization indicator 12, 39
- ◀ Left, Upper, Lighting, Process indicator 12, 19, 29
- ☀ Left, Upper, Blinking, Density mode 12
- ◀ Left, Lower, Lighting, Standby indicator 12
- ▼ Right, Lower, Lighting, Interval mode standby 12
- ☀ Right, Lower, Blinking, In interval mode 12
- RESPONSE [FAST] [MID.] [SLOW] Response indicator 12
- ┌ Space mark 47, 48, 49, 51, 55
-  ON:OFF key 12
-  CAL key 12
-  MODE key 12
-  PRINT key 12
-  SAMPLE key 12
-  RE-ZERO key 12
-  SAMPLE key 39
-  RE-ZERO key 39
-  PRINT key 39
-  CAL key 39
- AC adapter 7, 8, 11, 92, 93
- ACAI 19
- AD-1654 Density determination kit 62, 90
- AD-1671 Anti-vibration table 90
- AD-1672 Tabletop breeze break 90
- AD-1683 DC static eliminator 10, 90
- AD-1684 Electrostatic field meter 90
- AD-1687 Weighing environment logger 5, 90
- AD-1688 Weighing data logger 5, 90
- AD-1689 Tweezers for calibration weight 91
- AD-8121B Printer 77
- AD-8127 Printer 78, 91
- AD-8529PC-W 91
- AD-8529PR-W 91
- AD-8920A Remote display 91
- AD-8922A Remote controller 91
- Air buoyancy 10
- AK code 81
- RP Fnc* Application 22, 43
- RP-b* Auto print difference 41, 46
- RPF* Application function 22, 43, 51
- RP-P* Auto print polarity 41, 46
- RP-d* Zero after output 41
- RL-F* Auto feed 41
- Average 22
- AX-FXi-31 Cover 89
- AX-FXi-31 Main Unit Cover 89
- AX-USB-9P USB Converter 89
- AX-USB-9P USB Converter 89
- bRSFnc* Environment & Display 40, 46
- Baud rate 76
- bEEP* beep 40
- bEP-* OK buzzer 40
- bEP^* HI buzzer 40
- bEP_* LO buzzer 40
- bPS* Baud rate 42
- Breeze break 7, 8, 10
- Breeze break ring 7, 8
- btPr* Data bit, parity bit 42
- Bubble spirit level 7, 8, 9
- [RL in* One-touch calibration 30
- Calibration 5, 29, 30, 31, 32, 33, 34, 35, 36, 92, 93, 95
 - Calibration using an external weight 34, 36
 - Correcting the internal mass value 32, 33, 36
 - One-touch calibration 31, 36
- Calibration report 31, 34
- Calibration test
 - Calibration test using an external weight 35
- Calibration test report 35
- [RL out* Calibration using an external weight 34
- [CANCEL* Cancel 25
- [AN Go* Cancel Go 25
- [AN no* Cancel No 25
- [[out* Calibration test 35
- [[in* Calibration test 31
- CE Mark 6
- Characters for display 55
- [L Adj* Clock 40, 49, 52
- Cleaning 11, 85
- [LEAP* Clear 25
- Clock function 52, 92, 93
- [Lr* Cancel 36
- [Lr* Initializing the balance 38
- [Lr Go* Initialization, Perform 25, 38
- [Lr no* Initialization, Cancel 25, 38
- Command 80
- Comparator 12, 54
- [and* Condition 40, 44, 45
- Container 16, 19
- Counting mode 13, 19, 92, 93
- Cover 7
- [P* Comparator mode 40, 54
- [PFnc* Comparator 40, 54
- [PHi* Comparator upper limit 40, 54
- [PLo* Comparator lower limit 40, 54
- [rLF* Terminator 42
- [S in* Internal mass correction 32, 33, 43
- CSV format 49
- d 10000* Initial density 64

Data bits	76	Keys	7, 12
Data format	47, 48, 49, 76	KF Format	48
Data output	55	KL command	84
Data output mode	46, 47, 48, 49	<i>Lb</i>	Low battery error 88
Date	49, 52	<i>Ld in</i>	Liquid density input 42, 62, 63, 64
Density	62, 63, 64, 65	Leveling foot	7, 8, 9
Density mode	15 13	Linearity	92, 93
Dimensions	92, 93, 94	<i>Lo</i>	Sample mass error 19, 21
Display	7, 12	<i>Loc na</i>	Password input 74
Display refresh rate	92, 93	<i>Loc Fnc</i>	Password function 68, 71, 74
door	7	Magnetic substance	10
<i>dout</i>	Data output 41, 46, 77	Mass of product	92, 93
<i>dS</i>	Selection of a sample 42, 62, 65	Maximum	22
<i>dS Fnc</i>	Density function 42, 62	Maximum display	92, 93
Dust plate	7	MID.	28
EMC	6	Minimum	22
Environment	95	Minimum display	92, 93
<i>ErCd</i>	AK, Error code 42, 81	<i>nLt</i>	Programmable-unit 42
Error code	87	OL	Overload header 47
<i>FRil</i>	Fail 71	Operating environment	92, 93
FAST	28	Output	95
FCC	6	Pan support	7, 8
Function Table	36, 39, 40	Parity	76
<i>FXi-02</i>	USB interface 5, 78, 89	<i>PASS</i>	Password 68, 71, 74, 88
<i>FXi-08</i>	Ethernet interface 5, 89	Percent mode	13, 21, 92, 93
<i>FXi-09</i>	Built-in battery 5, 89	<i>Pnt</i>	Decimal point 40, 45
GLP	5, 30, 31, 34, 35, 55, 95	<i>PoFF</i>	Automatic display-off 40, 45
GMP	5, 55, 95	<i>P-on</i>	Resume function 40, 45
Grounding	10	Power consumption	92, 93
Grounding terminal	7	Power source	92, 93
<i>Hold</i>	Hold function 40, 45	<i>Prt</i>	Data output mode 41, 46
Hold indicator	12	<i>PS</i>	Function selection mode 36, 38
Humidity	10	<i>PUSE</i>	Data output pause 41, 55
<i>id</i>	ID number setting 42, 55	QT	Percent mode header 47, 48
ID label	7	Remote Display AD-8920A	5
ID number	55	Repeatability	92, 93, 95
<i>inFa</i>	GLP output 41, 55	RESPONSE	12, 28
Initializing	38	<i>rnU</i>	Display at start 40
<i>int</i>	Interval time 41	RS-232C	5, 7, 76
Interface	92, 93	RsCom	Command mode for WinCT 78
Interval mode	in 47	RsKey	Data output mode for WinCT 78
Key		RsWeight	Data output mode for WinCT 78
CAL Key	12, 39	Sensitivity drift	92, 93, 95
MODE Key	12	<i>S-id</i>	ID number output 41
ON:OFF Key	12	<i>S iF</i>	Serial interface 42, 46, 77
PRINT Key	12, 39	SLOW	28
RE-ZERO Key	12, 39	Smart range	18
SAMPLE Key	12, 39	<i>SPd</i>	Display refresh rate 40, 45
Key Lock Function	84	Specific gravity	62, 65
Key Operation	12	ST	Stable header 47

Stability92, 93	%	Percent mode13, 21, 51
Stabilization time95	oz	Ounce (Avoir)13, 51
Stable value95	ozt	Troy Ounce13, 51
Stat	Statistic display	ct	Metric carat13, 51
Standard deviation22	mon	Momme13, 51
Static electricity10	dwt	Pennyweight13, 51
Static eliminator10	gr	Grain (UK)13, 51
St-b	Stability detection	tl	Tael (preset in the factory)13, 51
St-d	Time & Date output	tol	Tola (India)13, 51
Stop bit76	MES	Messghal13
Stream mode46	DS	Density mode13, 62, 63, 64, 65
Sum22	MLT	Programmable unit13, 51, 67
Sure	Sure	Unit	Unit mode42
Symbols12	US	Unstable header47, 48
t 25	Initial temperature	USB	5
Tare16	Water temperature	63, 64
Temperature10, 64	Weighing capacity	92, 93
Terminator47, 48, 49	Weighing mode	16
Time49, 52	Weighing operation	16
trc	Zero tracking	Weighing pan	7, 8, 16, 19
t-UP	Timeout	Weight or Mass	29, 32, 33, 34, 35
tYPE	Data format	WinCT	Communication Tools78
Underhook10, 61	WT	Counting mode header47
Unit12, 13, 15, 51	WT	Stable header, DP format48
g	Gram	Zero point	95
mg	Milligram	Zero tracking	40
PCS	Counting mode			



A&D Company, Limited

3-23-14 Higashi-Ikebukuro, Toshima-ku, Tokyo 170-0013, JAPAN
Telephone: [81] (3) 5391-6132 Fax: [81] (3) 5391-1566

A&D ENGINEERING, INC.

1756 Automation Parkway, San Jose, California 95131, U.S.A.
Telephone: [1] (408) 263-5333 Fax: [1] (408) 263-0119

A&D INSTRUMENTS LIMITED

Unit 24/26 Blacklands Way, Abingdon Business Park, Abingdon, Oxfordshire OX14 1DY United Kingdom
Telephone: [44] (1235) 550420 Fax: [44] (1235) 550485

A&D AUSTRALASIA PTY LTD

32 Dew Street, Thebarton, South Australia 5031, AUSTRALIA
Telephone: [61] (8) 8301-8100 Fax: [61] (8) 8352-7409

A&D KOREA Limited

한국에이.엔.디(주)
서울특별시 영등포구 국제금융로6길33 (여의도동) 맨하탄빌딩 817 우편 번호 07331
(817, Manhattan Bldg., 33. Gukjegeumyung-ro 6-gil, Yeongdeungpo-gu, Seoul, 07331 Korea)
전화: [82] (2) 780-4101 팩스: [82] (2) 782-4264

ООО A&D RUS

ООО "ЭЙ энд ДИ РУС"
121357, Российская Федерация, г.Москва, ул. Верейская, дом 17
(Business-Center "Vereyskaya Plaza-2" 121357, Russian Federation, Moscow, Vereyskaya Street 17)
тел.: [7] (495) 937-33-44 факс: [7] (495) 937-55-66

A&D INSTRUMENTS INDIA PRIVATE LIMITED

ऐ&डी इन्स्ट्रूमेन्ट्स इण्डिया प्रा० लिमिटेड
509, उद्योग विहार , फेस -5, गुडगांव - 122016, हरियाणा , भारत
(509, Udyog Vihar, Phase-V, Gurgaon - 122 016, Haryana, India)
फोन : 91-124-4715555 फैक्स : 91-124-4715599